

Data sheet

ADU-F-C12

Page 1/5

P/N

1104351370

EAN 4251394629384

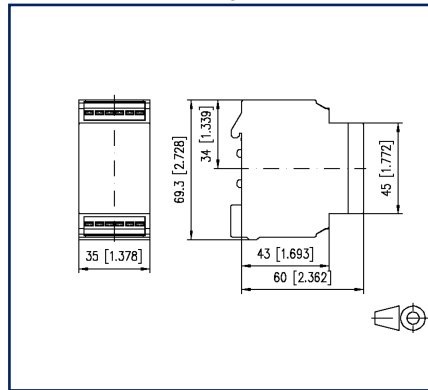
2025/12/22

Version: I

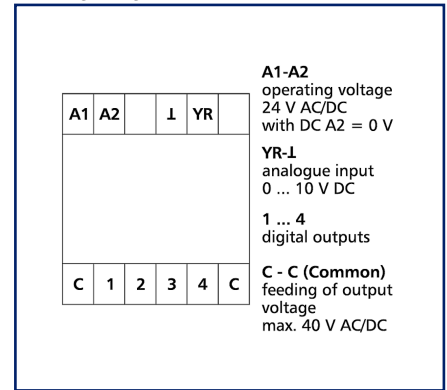
Illustrations



Dimensional drawing



Wiring diagram



See enlarged drawings at the end of document

Product specification

The analog/digital converter ADU-C12 processes input voltages from 0 to 7.5 V DC in 0.5 V steps. The digital outputs switch according to the applied input voltage. The outputs are updated every 1.5 seconds, and the switching state is signaled by means of an LED.

- Connection with spring clamp terminal blocks (push-in)
- Switching states are indicated by means of LEDs



Data sheet
ADU-F-C12

Page 2/5

P/N
1104351370
EAN 4251394629384
2025/12/22
Version: I

Technical Data

Supply	
Operating voltage	24 V AC/DC
Power consumption AC (max.)	50.2 mA
Power consumption DC (max.)	42 mA
Inputs	
Voltage input analogue (YR)	0 - 10 V DC
Power consumption	max. 0.5 mA
Scanning	0.5 V steps
Outputs	
Power consumption	max. 100 mA
Indicator	yellow and green LED
Housing	
Dimensions	
Dimension (W x H x D)	35 mm x 69.3 mm x 60 mm
Dimension (W x H x D)	1.378 in. x 2.728 in. x 2.362 in.
Weight	30 g
Mounting style	Standard rail TH35
Mounting position	any
Apposition	without distance
Connection type	Spring clamp terminal blocks
Terminal blocks	
Wire cross section solid	0.2 mm ² - 2.5 mm ² / AWG 24-14
Wire cross section multi	0.25 mm ² - 2.5 mm ² / AWG 24-12
Wire cross section with wire ferrule	0.25 mm ² - 1.5 mm ² / AWG 24-16
Stripping length (min.)	8 mm
Material	
Material - Housing	Polyamid 6.6 V0
Color	gray
Material - Terminal block	Polyamid 6.6 V0
Material - Covers	Polycarbonat

© 2025 METZ CONNECT - Technische Änderungen vorbehalten! Subject to modifications! Sous réserve de modifications techniques!

Data sheet
ADU-F-C12

Page 3/5

P/N
1104351370

EAN 4251394629384

2025/12/22

Version: I

Technical Data**Protection category according to IEC 60529**

Protection category - housing (acc. to IEC 60529)	IP40
Protection category - terminal blocks (acc. to IEC 60529)	IP20

Climatic Data

Operating

Temperature - Operating °C	-10 °C - 50 °C
Temperature - Operating °F	14 °F - 122 °F

Relative humidity	max. 85 % non-condensing
-------------------	--------------------------

Storage

Temperature - Storage °C	-25 °C - 70 °C
Temperature - Storage °F	-13 °F - 158 °F

Power loss

Power loss (typical)	0.8 W
----------------------	-------

Classifications

ETIM 7.0	EC000310
ETIM 8.0	EC000310
ETIM 9.0	EC000310
ETIM 10.0	EC000310

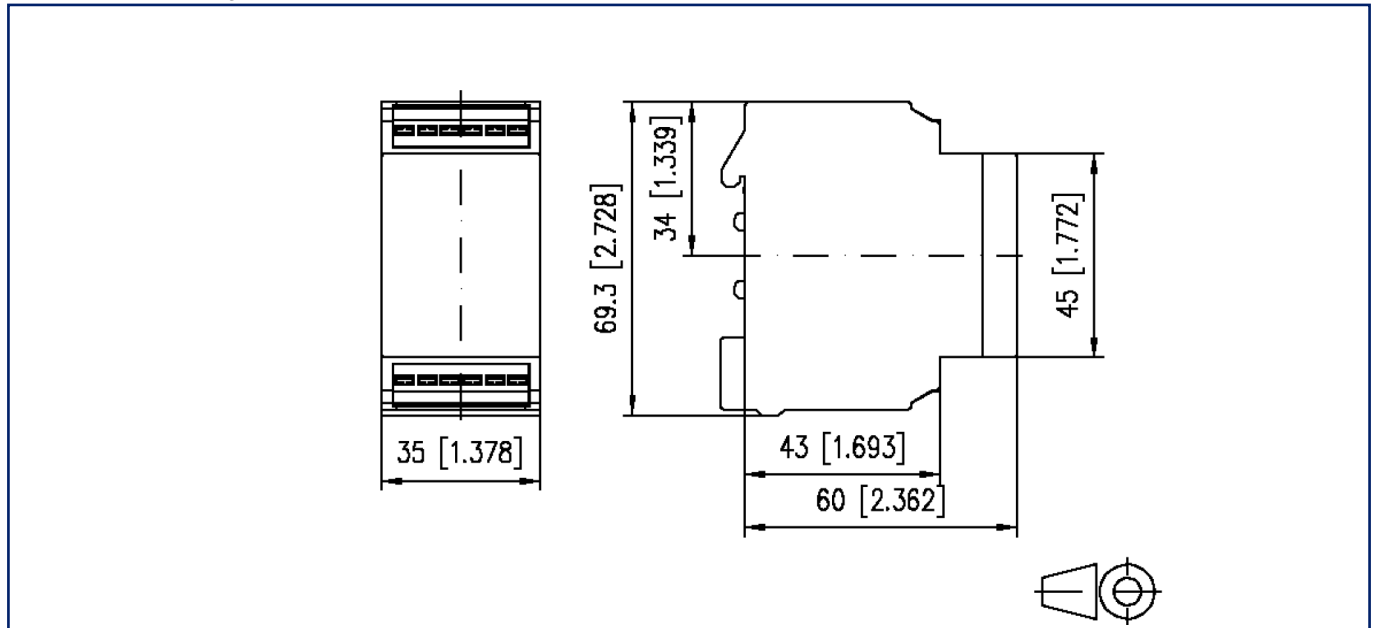
Application note

This product is a standard product of METZ CONNECT. METZ CONNECT is not aware of the specific intended use of the goods by the Customer or any customers of the Customer. The Customer guarantees that it has fully and sufficiently tested the use of the goods and any product modifications, product changes or product enhancements with regard to the specific intended use in accordance with the state of the art or in any other way. At METZ CONNECT's request, the Customer shall submit and make available meaningful evidence (e.g. test and laboratory protocols, certifications, etc.).



Illustrations

Dimensional drawing



Wiring diagram

A1	A2		⊥	YR	
C	1	2	3	4	C

A1-A2
operating voltage
24 V AC/DC
with DC A2 = 0 V

YR-⊥
analogue input
0 ... 10 V DC

1 ... 4
digital outputs

C - C (Common)
feeding of output
voltage
max. 40 V AC/DC

Illustrations

Wiring diagram

Table of switching conditions

Input V DC	Outputs				Input V DC	Outputs			
	1	2	3	4		1	2	3	4
0.0 V	0	0	0	0	4.5 V	1	0	0	1
0.5 V	1	0	0	0	5.0 V	0	1	0	1
1.0 V	0	1	0	0	5.5 V	1	1	0	1
1.5 V	1	1	0	0	6.0 V	0	0	1	1
2.0 V	0	0	1	0	6.5 V	1	0	1	1
2.5 V	1	0	1	0	7.0 V	0	1	1	1
3.0 V	0	1	1	0	7.5 V	1	1	1	1
3.5 V	1	1	1	0	>7.5 V	1	1	1	1
4.0 V	0	0	0	1					

Circuit diagram

