

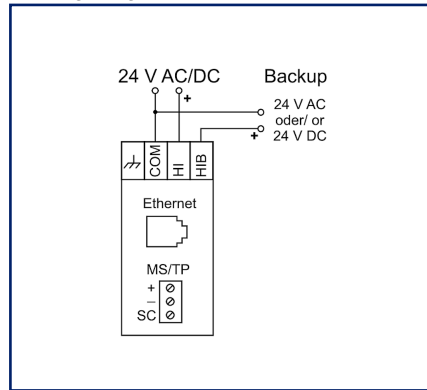
Data sheet

BACnet IP / BACnet MS/TP Router

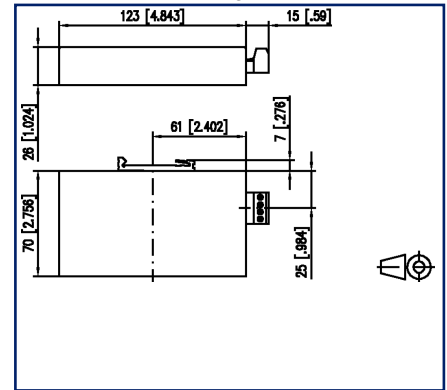
Illustrations



Wiring diagram



Dimensional drawing



See enlarged drawings at the end of document

Product specification

The BACnet IP / BACnet MS/TP Router provides stand-alone routing between BACnet networks such as BACnet/IP, BACnet Ethernet, and BACnet MS/TP - thereby allowing the system integrator to mix BACnet network technologies within a single BACnet internetwork. One 10/100 Mbps Ethernet port and an MS/TP port are used as communication interface to the respective BACnet networks. An integrated web server allows the configuration, status monitoring, and troubleshooting.

- Not intended for marketing in North America

BACnet IP / BACnet MS/TP Router

P/N

11080001

EAN 4250184158875

2024/10/25

Version: E

Technical Data**Supply**

Operating voltage 24 V AC/DC

Material

Color black

Climatic Data

Operating

Relative humidity max. 85 % non-condensing

Classifications

ETIM 7.0 EC001099

ETIM 8.0 EC001099

ETIM 9.0 EC001099

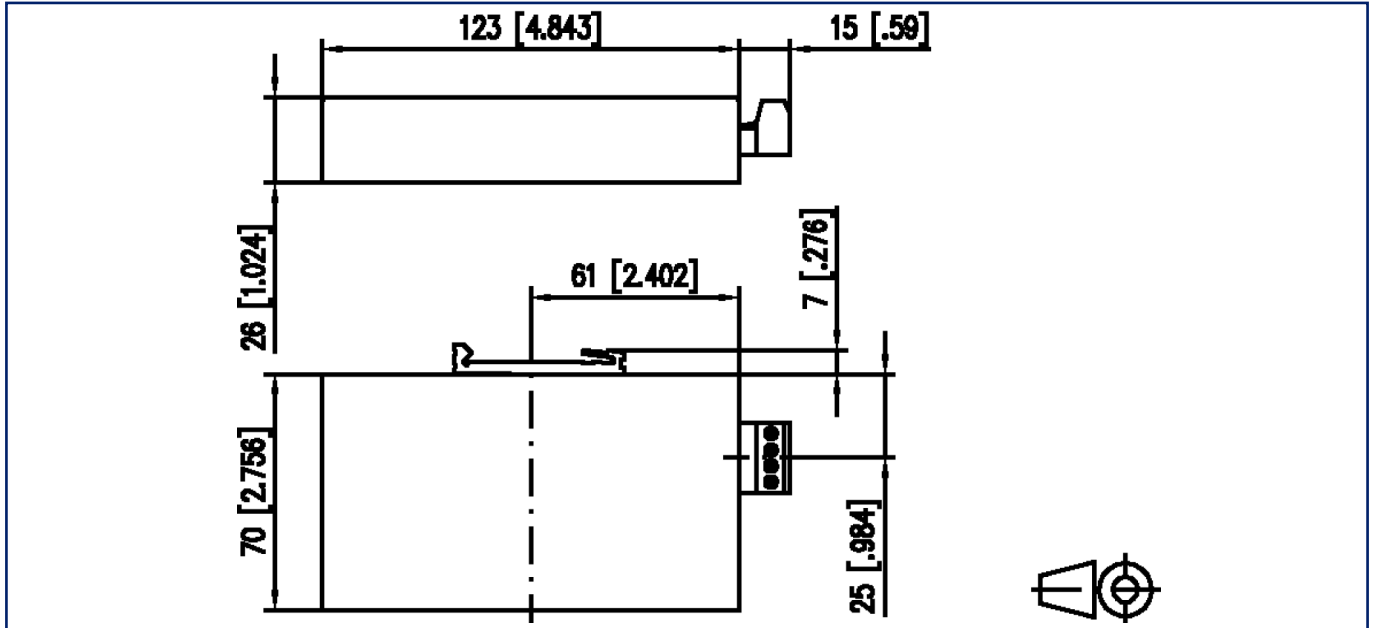
Application note

This product is a standard product of METZ CONNECT. METZ CONNECT is not aware of the specific intended use of the goods by the Customer or any customers of the Customer. The Customer guarantees that it has fully and sufficiently tested the use of the goods and any product modifications, product changes or product enhancements with regard to the specific intended use in accordance with the state of the art or in any other way. At METZ CONNECT's request, the Customer shall submit and make available meaningful evidence (e.g. test and laboratory protocols, certifications, etc.).



Illustrations

Dimensional drawing



Wiring diagram

