

Data sheet

Surface mount frame 85 x 85 x 35 mm - single, traffic white

Page 1/4

P/N
130829-27-I

EAN 4251394640266

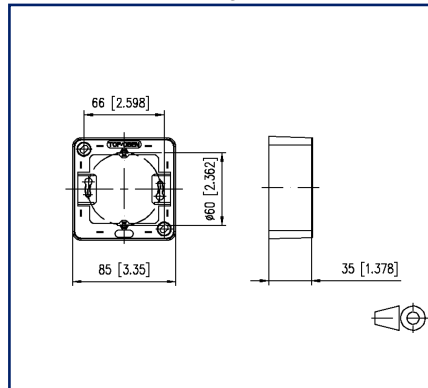
2025/06/06

Version: E

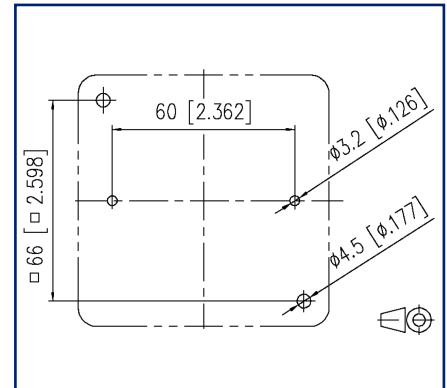
Illustrations



Dimensional drawing



Drill pattern



See enlarged drawings at the end of document

Product specification

- extension of flush-mounted wall outlets to surface-mounted wall outlets
- dimensions (L x W x H) 85.0 x 85.0 x 35.0 mm
- additional fastening in 60.0 mm hole distance on flush-mounted cups
- glossy surface
- traffic white (RAL 9016), pure white (RAL 9010) or pearl white (RAL 1013)
- variants: traffic white, pure white, pearl white



Surface mount frame 85 x 85 x 35 mm - single, traffic white

P/N

130829-27-I

EAN 4251394640266

2025/06/06

Version: E

Technical Data

General Data

Mechanical measurement according to MICE	M1
Ingress measurement according to MICE	I1
Climatic measurement according to MICE	C1
Electromagnetic measurement according to MICE	E1
Design	frame
Mounting style	Flush-mounted to wall mounted
Color	traffic white RAL 9016
Dimensions	
Dimension (L x W x H)	35 mm x 85 mm x 85 mm
Dimension (L x W x H)	1.378 in. x 3.346 in. x 3.346 in.

Materials and material properties

Material	ABS
Halogen free	yes
RoHS	compliant

Classifications

ETIM 7.0	EC000080
ETIM 8.0	EC000080
ETIM 9.0	EC000080

Application note

This product is a standard product of METZ CONNECT. METZ CONNECT is not aware of the specific intended use of the goods by the Customer or any customers of the Customer. The Customer guarantees that it has fully and sufficiently tested the use of the goods and any product modifications, product changes or product enhancements with regard to the specific intended use in accordance with the state of the art or in any other way. At METZ CONNECT's request, the Customer shall submit and make available meaningful evidence (e.g. test and laboratory protocols, certifications, etc.).

Data sheet

Page 3/4

Surface mount frame 85 x 85 x 35 mm - single, traffic white

P/N

130829-27-I

EAN 4251394640266

2025/06/06

Version: E

Accessories from

P/N	Designation
1307371200-I	E-DAT C6 1 port flush mounted without cover
1307381200-I	E-DAT C6 2 port flush mounted without cover
1307441200-I	E-DAT design 2 port flush mounted without cover Cat.6
1309111200-E	E-DAT modul 1 port flush mounted without cover Cat.6 _A
1309121200-E	E-DAT modul 2 port flush mounted without cover Cat.6 _A
1309131200-E	E-DAT modul 3 port flush mounted without cover Cat.6 _A
1309141200-E	Modul wall outlet flush mounted without cover 3 port unequipped
1309151200-E	Modul wall outlet flush mounted without cover 2 port unequipped
130C371200-I	E-DAT C6 _A 1 port flush mounted without cover
130C381200-I	E-DAT C6 _A 2 port flush mounted without cover



Data sheet

Page 4/4

Surface mount frame 85 x 85 x 35 mm - single, traffic white

P/N

130829-27-I

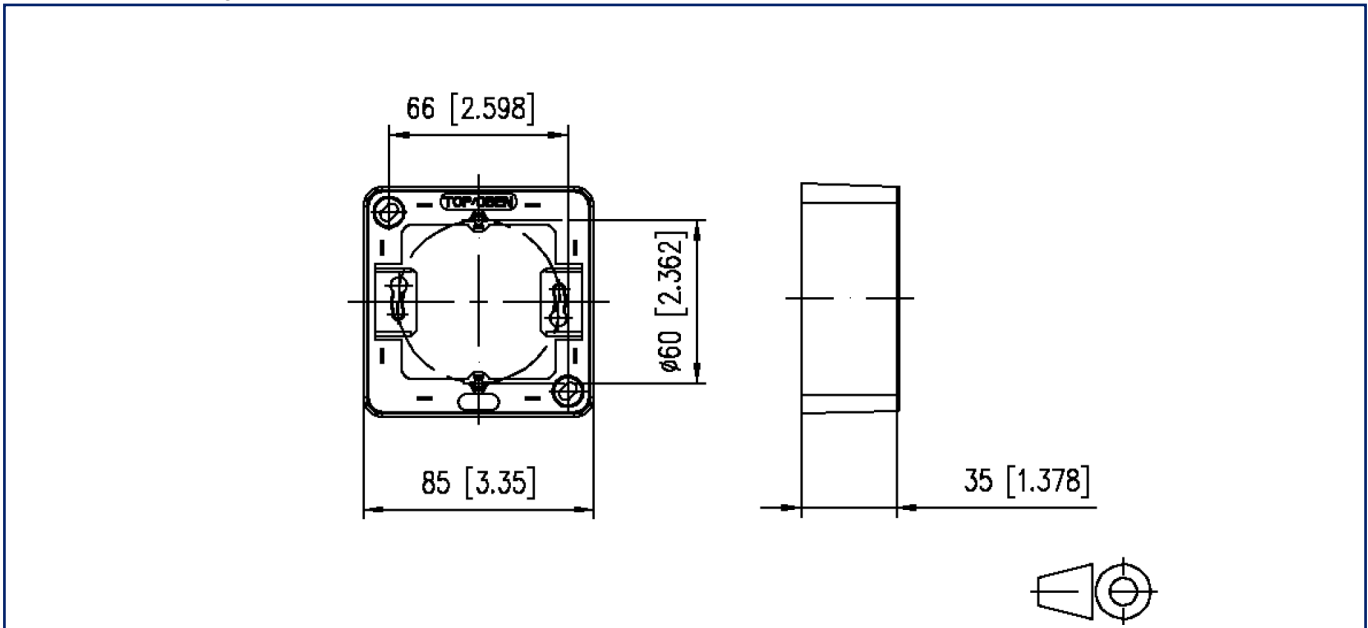
EAN 4251394640266

2025/06/06

Version: E

Illustrations

Dimensional drawing



Drill pattern

