

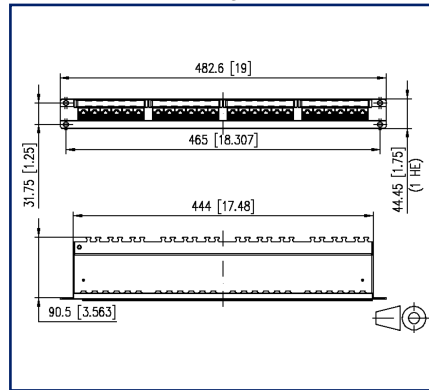
Data sheet

E-DAT C6 24x8(8) 1RU LSA Cat.6 patch panel

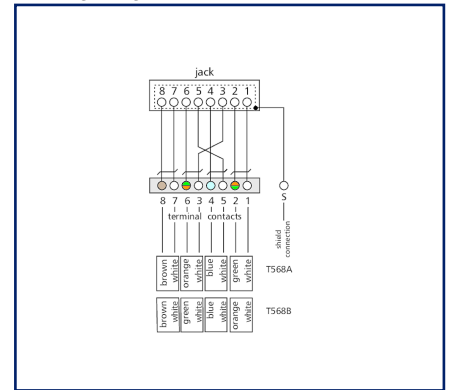
Illustrations



Dimensional drawing



Wiring diagram



See enlarged drawings at the end of document

Product specification

- 19 inch 1RU frame made of silver anodized aluminum with 24 individually shielded RJ45 jacks
- certified to GHMT Cat.6 12C-de-embedded
- compliance with class E_A Channel-Link acc. to ISO/IEC 11801-1, DIN EN 50173-1
- tested: Channel-Link up to 500 MHz
- suitable for 10 GBit Ethernet (IEEE 802.3an), Remote Powering (PoE, PoE plus, UPoE and 4PPoE) and HDBaseT
- wire pairs can be led to the LSA terminal without untwisting the pair
- connection of 2 to 4-pair data lines to LSA insulation displacement connectors (AWG 22-24) conductor colors marking to TIA/EIA 568A
- optional strain relief using cable ties
- modules connected by means of grounding rail

P | Cabling

Data sheet

Page 2/9

E-DAT C6 24x8(8) 1RU LSA Cat.6 patch panel

P/N
130855-E

EAN 4250184104124

2024/09/27

Version: AF

Technical Data

General Data

| | |
|-----------------------------------------------|---------------------------------------------------------------------------------------------|
| Fields of application | structured building cabling office areas Distributed building services data center |
| Mechanical measurement according to MICE | M1 |
| Ingress measurement according to MICE | I1 |
| Climatic measurement according to MICE | C1 |
| Electromagnetic measurement according to MICE | E2 |
| Design | patch panel |
| Mounting style | 1RU |
| Shielding | shielded |
| Transmission technology | Copper |
| Wiring | T568A, T568B |
| Color | anodized alu. |
| Dimensions | |
| Dimension (L x W x H) | 90.5 mm x 482.6 mm x 44.45 mm |
| Dimension (L x W x H) | 3.563 in. x 19 in. x 1.75 in. |
| Inches | 19 inches |
| Height unit | 1RU |
| Labeling option | printed numbers |

Transmission characteristics

| | |
|--------------------------------------------------|----------------|
| Category (ISO) | 6 |
| Class (ISO/IEC) | E _A |
| Category (TIA) | 6 |
| Remote Powering | yes |
| PoE | IEEE 802.3af |
| PoE plus | IEEE 802.3at |
| UPoE | yes |
| 4PPoE | IEEE 802.3bt |
| HDBaseT | yes |
| Transmission rate up to 100 MBit (Fast Ethernet) | IEEE 802.3bw |
| Transmission rate up to 1 GBit (Fast Ethernet) | IEEE 902.3ab |
| Transmission rate up to 10 GBit | IEEE 802.3an |

P | Cabling

Data sheet

Page 3/9

E-DAT C6 24x8(8) 1RU LSA Cat.6 patch panel

P/N
130855-E

EAN 4250184104124

2024/09/27

Version: AF

Technical Data

Connections/interfaces

| | |
|----------------------------------------------|-----------------------------------------------|
| Connector technology interface 1 | LSA terminal block |
| Connector technology interface 2 | RJ45-jack |
| Number of ports interface 2 | 24 |
| Number of ports interface 2 equipped | 24 |
| Number of positions/contacts interface 1 | 24 x 8 |
| Number of positions/contacts interface 2 | 24 x 8P/8C |
| Termination data, solid wire (min. - max.) | |
| Conductor cross section, solid wire | AWG 26/1 - AWG 22/1 |
| Conductor cross section, solid wire | 0.128 mm ² - 0.324 mm ² |
| Conductor diameter, solid wire (bare copper) | 0.409 mm - 0.643 mm |
| Conductor diameter, solid wire (bare copper) | 0.016 in. - 0.025 in. |
| Cable access/outlet | 180° |
| Ground connection | grounding bolt M6x10 with nut and lock washer |
| Shield connection | flexible contact spring |

Electrical characteristics

| | |
|-----------------------------------------------------------------|-------------------|
| Current carrying capacity | max. 1 A at 60 °C |
| Rated voltage | max. 60 V DC |
| Contact resistance | max. 20 mOhm |
| Through resistance | max. 200 mOhm |
| Insulation resistance | min. 500 MOhm |
| Dielectric strength conductor-conductor (secondary) | max. 1000 V DC |
| Dielectric strength conductor-conductor, peak value (secondary) | max. 1.000 V AC |
| Dielectric strength conductor-shield | max. 1500 V DC |
| Dielectric strength conductor-shield, peak value | max. 1500 V AC |



P | Cabling

Data sheet

Page 4/9

E-DAT C6 24x8(8) 1RU LSA Cat.6 patch panel

P/N
130855-E

EAN 4250184104124

2024/09/27

Version: AF

Technical Data

Mechanical data

| | |
|--------------------------------------------------------------|-----------|
| Insertion and withdrawal force | max. 30 N |
| Life - Number of mating cycles | min. 750 |
| Position/mounting of latch standard installation position | top |
| strain relief | cable tie |

Materials and material properties

| | |
|------------------------------------------|----------------------------------|
| Material - Terminal block housing | PBT (polybutylene terephthalate) |
| Material - Jack contact | Hyper Ph-Br |
| Material - Jack contact finish | AuCo |
| Material - Terminal block contact | CuSn6 |
| Material - Terminal block contact finish | Sn |
| Material - Jack shield | CuSn6 |
| Material - Cover | sheet steel |
| Material - Module support | Al (Aluminium) |
| Material - Module support finish | silver anodized |
| Halogen free | yes |
| RoHS | compliant |

Environmental conditions

| | |
|----------------------------|-----------------|
| Temperature (min. - max.) | |
| Temperature - Storage °C | -40 °C - 70 °C |
| Temperature - Storage °F | -40 °F - 158 °F |
| Temperature - Operating °C | -40 °C - 70 °C |
| Temperature - Operating °F | -40 °F - 158 °F |

Certifications

GHMT Type Approval



Component

P | Cabling

Data sheet

Page 5/9

E-DAT C6 24x8(8) 1RU LSA Cat.6 patch panel

P/N
130855-E

EAN 4250184104124

2024/09/27

Version: AF

Technical Data

Standards/Regulations

Generic cabling systems

| | |
|----------------------|----------------------------------------------------------------------|
| General requirements | ISO/IEC 11801-1:2017-11 DIN EN 50173-1:2018-10 ANSI/TIA-568.2-D |
| Office buildings | ISO/IEC 11801-2:2017-11 DIN EN 50173-2:2018-10 ANSI/TIA-568.2-D |
| Living units | ISO/IEC 11801-4:2017-11 DIN EN 50173-4:2018-10 ANSI/TIA-570-D |
| Data centers | ISO/IEC 11801-5:2017-11 DIN EN 50173-5:2018-10 ANSI/TIA-942-B |

Connectors for electronic equipment

| | |
|---------------------------|-----------------------------------------------------------------------------|
| Free and fixed connectors | DIN EN 60603-7-51:2011-01, DIN EN 60603-7:2019-11, DIN EN 60603-7-1:2012-01 |
|---------------------------|-----------------------------------------------------------------------------|

Connectors for electronic equipment - Tests and measurements

| | |
|-----------------------------------------------------------------------------------------|--------------------------------------------------|
| Test standard for connectors (engaging and separating connectors under electrical load) | DIN-EN 60512-99-001, DIN-EN 60512-99-002 |
| Endurance tests | DIN EN 60603-7:2019-11, DIN EN 60603-7-1:2012-01 |
| Climate tests | DIN EN 60603-7:2019-11, DIN EN 60603-7-1:2012-01 |

Classifications

| | |
|----------|----------|
| ETIM 7.0 | EC001128 |
| ETIM 8.0 | EC001128 |
| ETIM 9.0 | EC001128 |

Packing details

| | |
|---------------------------------|------------------------------------|
| Type of packaging | 1 pc(s) / box |
| Packaging unit - Weight (gram) | 1120 g |
| Packaging unit - Weight (pound) | 2.47 lb |
| Packaging dimension | 520 mm x 100 mm x 46 mm |
| Packaging dimension | 20.472 in. x 3.937 in. x 1.811 in. |

P | Cabling

Data sheet

Page 6/9

E-DAT C6 24x8(8) 1RU LSA Cat.6 patch panel

P/N
130855-E

EAN 4250184104124

2024/09/27

Version: AF

Technical Data

Application note

This product is a standard product of METZ CONNECT. METZ CONNECT is not aware of the specific intended use of the goods by the Customer or any customers of the Customer. The Customer guarantees that it has fully and sufficiently tested the use of the goods and any product modifications, product changes or product enhancements with regard to the specific intended use in accordance with the state of the art or in any other way. At METZ CONNECT's request, the Customer shall submit and make available meaningful evidence (e.g. test and laboratory protocols, certifications, etc.).



P | Cabling

Data sheet

Page 7/9

E-DAT C6 24x8(8) 1RU LSA Cat.6 patch panel

P/N

130855-E

EAN 4250184104124

2024/09/27

Version: AF

Accessories

| P/N | Designation |
|----------|----------------------------|
| 130792 | Mounting kit, cage nuts M6 |
| 130818-E | Crimp Tool LSA-PLUS® |



P | Cabling

Data sheet

Page 8/9

E-DAT C6 24x8(8) 1RU LSA Cat.6 patch panel

P/N
130855-E

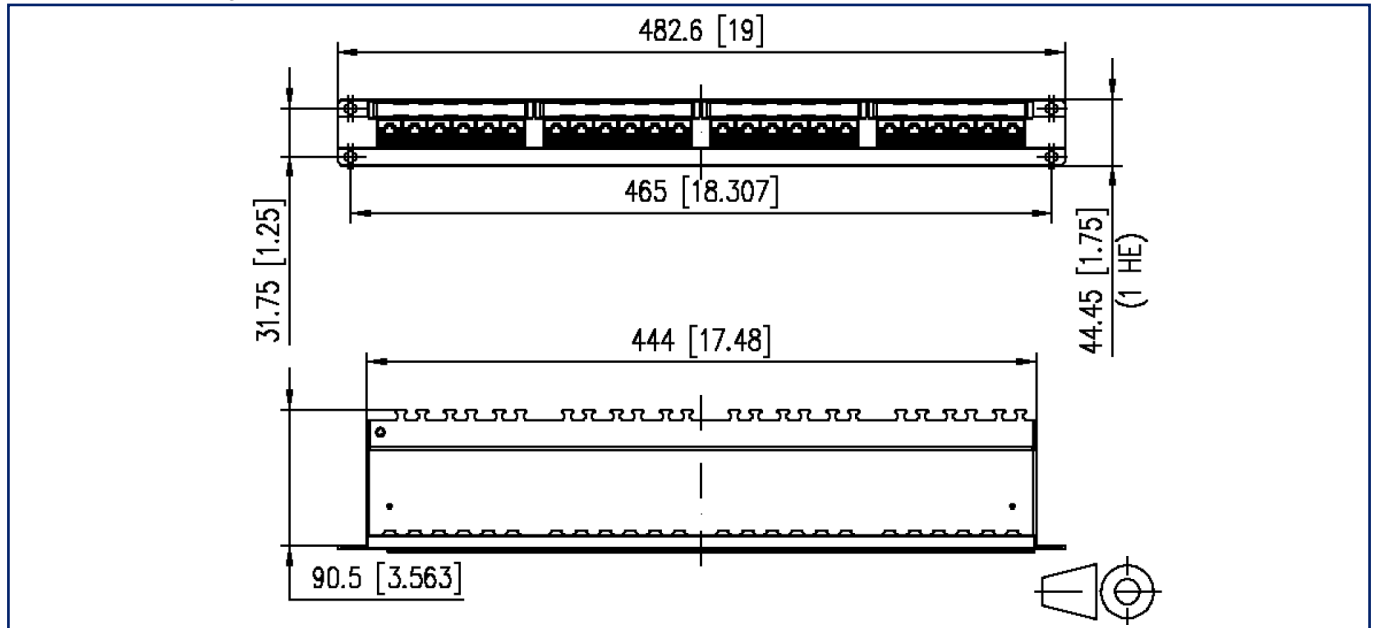
EAN 4250184104124

2024/09/27

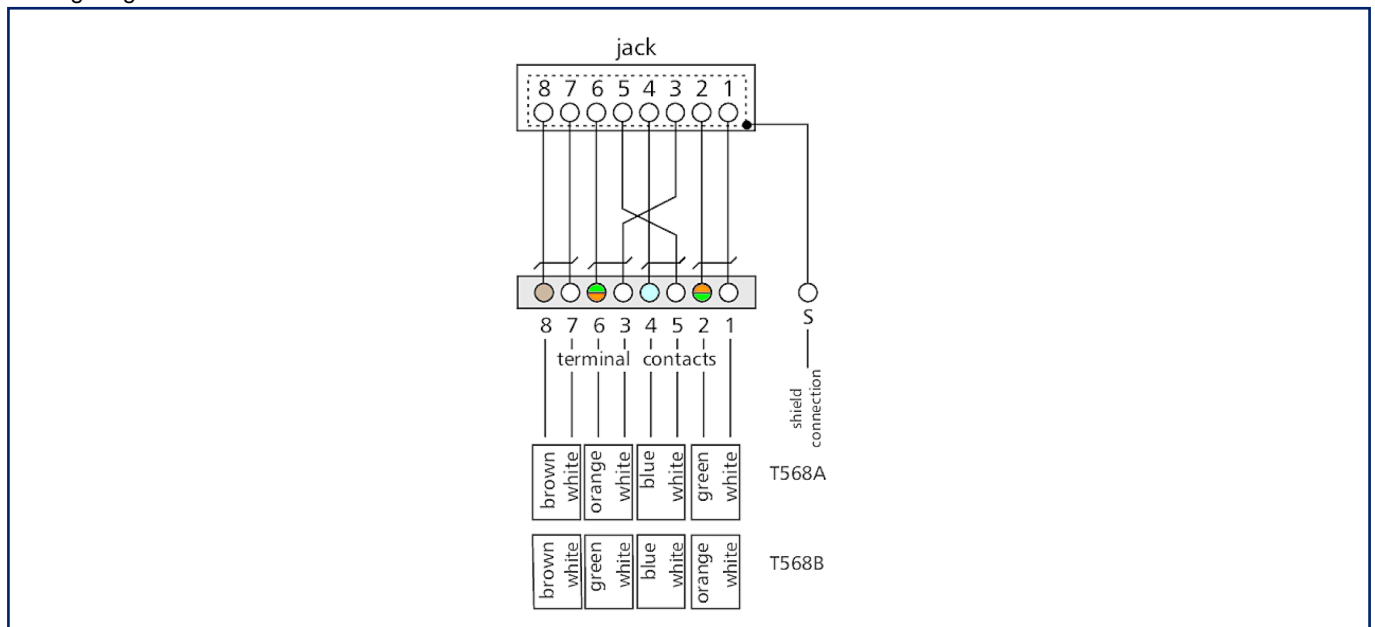
Version: AF

Illustrations

Dimensional drawing



Wiring diagram



P | Cabling

Data sheet

E-DAT C6 24x8(8) 1RU LSA Cat.6 patch panel

Page 9/9

P/N
130855-E

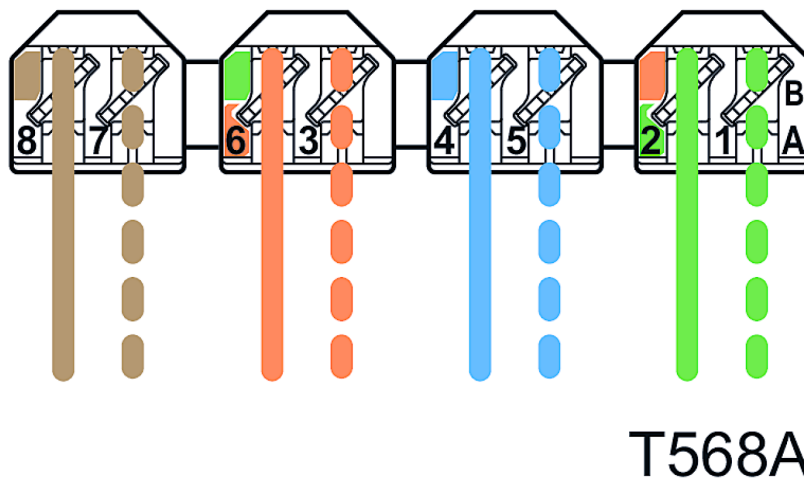
EAN 4250184104124

2024/09/27

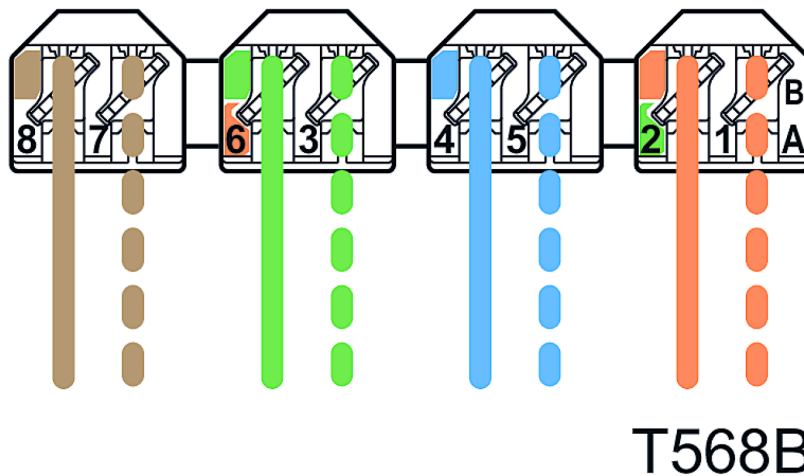
Version: AF

Illustrations

Wiring diagram



Wiring diagram



© 2024 METZ CONNECT - Technische Änderungen vorbehalten! Subject to modifications! Sous réserve de modifications techniques!

