

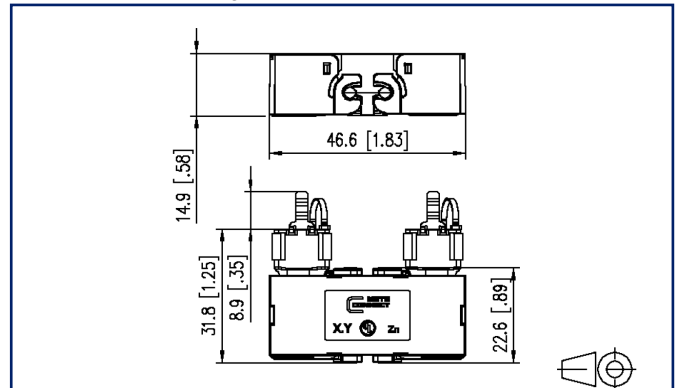
Data sheet

Cable connector class E_A 360°

Illustrations



Dimensional drawing



See enlarged drawings at the end of document

Product specification

- Cable connector for field assembly Class E_A for 8 wire cables (optionally also for 4 wire cables)
- Cable feed angled return 360°
- to connect / extend / repair / relocate copper data cables up to Cat.7_A
- in combination with Cat. 6_A or higher copper cables, class E_A up to 500 MHz according to ISO/IEC 11801, DIN EN 50173 is fulfilled
- suitable for 10Gbit Ethernet (IEEE 802.3an), Remote Powering (PoE, PoE plus, UPoE and 4PPoE), HDBaseT, SAT-IP and AVoverIP
- Compact design, length 46.6 mm x width 14.7 mm x height 31.8 mm
- solid, one-piece and reusable housing refined with zinc die-casting
- simplest confection - mounting without special tools, strain relief via snap-in clip directly on the loading piece
- intelligent cable management in stuffer cap - also suitable for heavily twisted cables
- shield connection and strain relief integrated
- conductor assignment to T568A and T568B is directly printed on the stuffer cap
- Simple extension or relocation of existing infrastructure C6_A modul through reusable loading pieces
- easy connection of data cables AWG 26/1 to 22/1 (solid wire) and AWG 26/7 to 22/7 (stranded wire) to insulation displacement connectors (IDC)
- solid copper wire diameter 0.409 to 0.643 mm
- stranded copper wire diameter 0.483 to 0.762 mm
- suitable for cables with an overall diameter of 5.5 to 10 mm
- fully shielded version according to DIN EN 50173

P | Cabling

Data sheet

Page 2/7

Cable connector class E_A 360°

P/N

130863-06-E

EAN 4251394608129

2024/08/16

Version: D

Technical Data

General Data

Fields of application	structured building cabling Industrial Ethernet office areas harsh environment Distributed building services data center
Mechanical measurement according to MICE	M1
Ingress measurement according to MICE	I1
Climatic measurement according to MICE	C1
Electromagnetic measurement according to MICE	E2
Design	cable connector
Shielding	shielded
Transmission technology	Copper
Wiring	T568A, T568B
Color	metallike
Dimensions	
Dimension (L x W x H)	46.6 mm x 14.7 mm x 33.44 mm
Dimension (L x W x H)	1.835 in. x 0.579 in. x 1.317 in.
Field assembly ability	yes

Transmission characteristics

Class (ISO/IEC)	E _A
Remote Powering	yes
PoE	IEEE 802.3af
PoE plus	IEEE 802.3at
UPoE	yes
4PPoE	IEEE 802.3bt
HDBaseT	yes
Transmission rate up to 10 GBit	IEEE 802.3an



Technical Data

Connections/interfaces	
Connector technology interface 1	IDC-connection
Connector technology interface 2	IDC-connection
Number of positions/contacts interface 1	8
Number of positions/contacts interface 2	8
Termination data, solid wire (min. - max.)	
Conductor cross section, solid wire	AWG 26/1 - AWG 22/1
Conductor cross section, solid wire	0.128 mm ² - 0.324 mm ²
Conductor diameter, solid wire (bare copper)	0.409 mm - 0.643 mm
Conductor diameter, solid wire (bare copper)	0.016 in. - 0.025 in.
Termination data, stranded wire (min. - max.)	
Conductor cross section, stranded wire	AWG 26/7 - AWG 22/7
Conductor cross section, stranded wire	0.141 mm ² - 0.355 mm ²
Conductor diameter, stranded wire (bare copper)	0.483 mm - 0.762 mm
Conductor diameter, stranded wire (bare copper)	0.019 in. - 0.03 in.
Aderdurchmesser (min.-max.)	
Core diameter (conductor with insulation)	1.6 mm
Core diameter (conductor with insulation)	0.063 in.
Cable sheath diameter (min. - max.)	
Cable sheath diameter	5.5 mm - 10.00 mm
Cable sheath diameter	0.197 in. - 0.394 in.
Cable access/outlet	360°
Reconnectibility	yes, if cross section is greater or the same
Ground connection	for cable plugs 2,8 mm/0,11 inch
Shield connection	flexible contact spring

Electrical characteristics

Current carrying capacity	max. 1 A
Rated voltage	max. 50 V
Contact resistance	max. 20 mOhm
Through resistance	max. 200 mOhm
Insulation resistance	min. 500 MOhm
Dielectric strength conductor-conductor (secondary)	max. 1000 V DC

P | Cabling

Data sheet

Page 4/7

Cable connector class E_A 360°

P/N

130863-06-E

EAN 4251394608129

2024/08/16

Version: D

Technical Data

Mechanical data

strain relief	latching clip
---------------	---------------

Materials and material properties

Material - Housing	GD-Zn
Material - Housing finish	Ni (nickel)
Material - Insulation displacement contacts	CuSn
Material - Finish of insulation displacement contacts	Sn
Material - Shield	GD-Zn
Material - Stuffer cap	PA 6.6 UL94 V0
Material - Strain relief	PA 6.6 UL94 V0
Halogen free	yes
RoHS	compliant

Environmental conditions

Temperature (min. - max.)	
Temperature - Storage °C	-40 °C - 70 °C
Temperature - Storage °F	-40 °F - 158 °F
Temperature - Operating °C	-40 °C - 70 °C
Temperature - Operating °F	-40 °F - 158 °F
Particulate ingress	IP2X
Liquid ingress/immersion	IPX0

Approvals

UL listed (file no.)



DUXR.E178484

Standards/Regulations

Generic cabling systems

General requirements	ISO/IEC 11801-1 DIN EN 50173-1 ANSI/TIA-568-D
Office buildings	ISO/IEC 11801-2 DIN EN 50173-2 ANSI/TIA-568-D
Industrial area	ISO/IEC 11801-3 DIN EN 50173-3 ANSI/TIA-1005
Living units	ISO/IEC 11801-4 DIN EN 50173-4 ANSI/TIA-570



P | Cabling

Data sheet

Page 5/7

Cable connector class E_A 360°

P/N

130863-06-E

EAN 4251394608129

2024/08/16

Version: D

Technical Data

Standards/Regulations

Generic cabling systems

Data centers	ISO/IEC 11801-5 DIN EN 50173-5 ANSI/TIA-942-B
--------------	--

Distributed building services	ISO/IEC 11801-6 DIN EN 50173-6 ANSI/TIA-862
-------------------------------	--

Application-specific communications cabling systems

Profinet	yes
----------	-----

UL standard for Communications-Circuit Accessories	UL 1863
--	---------

Industrial communication networks Installation in industrial premises	IEC 61918
--	-----------

Classifications

ETIM 7.0	EC001121
----------	----------

ETIM 8.0	EC001121
----------	----------

ETIM 9.0	EC001121
----------	----------

Application note

This product is a standard product of METZ CONNECT. METZ CONNECT is not aware of the specific intended use of the goods by the Customer or any customers of the Customer. The Customer guarantees that it has fully and sufficiently tested the use of the goods and any product modifications, product changes or product enhancements with regard to the specific intended use in accordance with the state of the art or in any other way. At METZ CONNECT's request, the Customer shall submit and make available meaningful evidence (e.g. test and laboratory protocols, certifications, etc.).

P | Cabling

Data sheet

Page 6/7

Cable connector class E_A 360°

P/N

130863-06-E

EAN 4251394608129

2024/08/16

Version: D

Accessories

P/N	Designation
130863T101E	Click & fix 19 inch frame for cable connector 1RU



P | Cabling

Data sheet

Cable connector class E_A 360°

Page 7/7

P/N

130863-06-E

EAN 4251394608129

2024/08/16

Version: D

Illustrations

Dimensional drawing

