

Data sheet

E-DAT Industry IP67 V6 plug

Page 1/7

P/N

130906-03-E

EAN 4250184105381

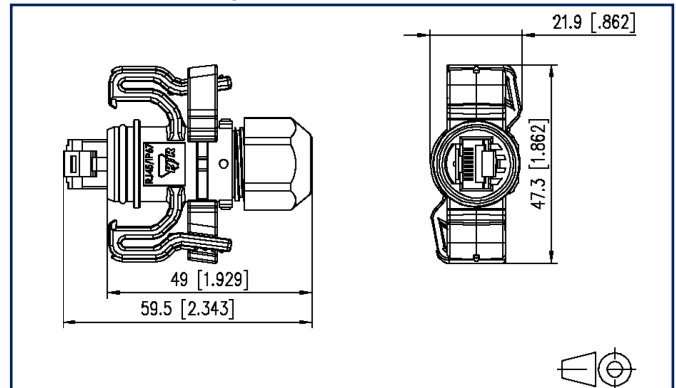
2024/08/16

Version: AL

Illustrations



Dimensional drawing



See enlarged drawings at the end of document

Product specification

- Cat.6 class E_A plug in plug housing according to standard IEC 61076-3-106 Var. 6
- compliance with class E_A according to ISO/IEC 11801, DIN EN 50173-1
- suitable for 10 GBit Ethernet(IEEE 802.3an) and Remote Powering(PoE, PoE plus and UPoE) and HDBaseT
- complies with ingress protection IP67 when plugged in
- AWG 27/7 - 24/7 and AWG 24/1 connection possible
- solid copper wire diameter from 0.36 to 0.51 mm
- stranded copper wire diameter from 0.46 to 0.61 mm
- conductor diameter from 0.85 to 1.05 mm
- cable jacket diameter 5.5 to 6.2 mm can be connected
- large 360° shield contact
- locking clip can also be upgraded in its installed state
- protected against unintentional opening by means of locking clip (also colored)
- crimping of the internal and external conductors with professional crimp pliers in one process
- professional crimping tool available in the tools section



P | Cabling

Data sheet

Page 2/7

E-DAT Industry IP67 V6 plug

P/N

130906-03-E

EAN 4250184105381

2024/08/16

Version: AL

Technical Data

General Data

Fields of application	Industrial Ethernet
Mechanical measurement according to MICE	M1
Ingress measurement according to MICE	I1
Climatic measurement according to MICE	C1
Electromagnetic measurement according to MICE	E2
Design	plug
Transmission technology	Copper
Color	light gray
Dimensions	
Dimension (L x W x H)	59.5 mm x 47.3 mm x 21.9 mm
Dimension (L x W x H)	2.343 in. x 1.862 in. x 0.862 in.
Labeling option	on housing

Transmission characteristics

Category (ISO)	6
Class (ISO/IEC)	E _A
Category (TIA)	6
Remote Powering	yes
PoE	IEEE 802.3af
PoE plus	IEEE 802.3at
UPoE	yes
HDBaseT	yes
Transmission rate up to 10 GBit	IEEE 802.3an

Connections/interfaces

Connector technology interface 1	IDC-connection
Connector technology interface 2	RJ45 plug
Number of ports interface 2	1
Number of ports interface 2 equipped	1
Number of positions/contacts interface 1	8
Number of positions/contacts interface 2	8P/8C
Protective housing interface 1	V6
Protective housing interface 2	V5

Technical Data

Connections/interfaces

Termination data, solid wire (min. - max.)

Conductor cross section, solid wire	AWG 24/1
Conductor cross section, solid wire	0.205 mm ²
Conductor diameter, solid wire (bare copper)	0.511 mm
Conductor diameter, solid wire (bare copper)	0.02 in.

Termination data, stranded wire (min. - max.)

Conductor cross section, stranded wire	AWG 27/7 - AWG 24/7
Conductor cross section, stranded wire	0.111 mm ² - 0.227 mm ²
Conductor diameter, stranded wire (bare copper)	0.457 mm - 0.61 mm
Conductor diameter, stranded wire (bare copper)	0.018 in. - 0.024 in.

Aderdurchmesser (min.-max.)

Core diameter (conductor with insulation)	0.85 mm - 1.02 mm
Core diameter (conductor with insulation)	0.033 in. - 0.04 in.

Cable sheath diameter (min. - max.)

Cable sheath diameter	5.5 mm - 6.20
Cable sheath diameter	0.217 in. - 0.244

Cable access/outlet 180°

Electrical characteristics

Contact resistance	max. 20 mOhm
Insulation resistance	min. 500 MOhm
Dielectric strength conductor-conductor (secondary)	min. 1000 V DC

Mechanical data

Locking method (protective housing)	locking clamp
-------------------------------------	---------------

Materials and material properties

Material - Housing	PC UL94 V0
Material - Protective housing	PA 6.6 UL94 V0
Material - Contact	PhBr (phosphor bronze)
Material - Contact finish	Ni + Au (nickel-gold)
Material - Shield	CuZn
Material - Shield finish	Ni (nickel)
Material - Protective housing seal	NBR (nitrile butadiene rubber)



P | Cabling

Data sheet

Page 4/7

E-DAT Industry IP67 V6 plug

P/N

130906-03-E

EAN 4250184105381

2024/08/16

Version: AL

Technical Data

Materials and material properties

Material - Cap nut	PA UL94 V0
Halogen free	yes
RoHS	compliant

Environmental conditions

Temperature (min. - max.)	
Temperature - Storage °C	-40 °C - 70 °C
Temperature - Storage °F	-40 °F - 158 °F
Temperature - Operating °C	-40 °C - 70 °C
Temperature - Operating °F	-40 °F - 158 °F
Particulate ingress	IP6X with protective housing
Liquid ingress/immersion	IPX7 with protective housing

General information
This product is suitable for use in industrial environments inside buildings with IPxy protection class according to DIN EN 60529 specified in this data sheet. Not specified for outdoor applications.

Approvals

UL listed (file no.)		DUXR.E178484
----------------------	--	--------------

Standards/Regulations

Generic cabling systems	
General requirements	ANSI/TIA-568-C
Office buildings	ISO/IEC 11801 Ed.2.2: 2011-06 DIN EN 50173-2 ANSI/TIA-568-C
Industrial area	ISO/IEC 24702 DIN EN 50173-3 ANSI/TIA-1005
Living units	ISO/IEC 15018 DIN EN 50173-4 ANSI/TIA-570-B
Connectors for electronic equipment	
Rectangular connectors	DIN EN 61076-3-106
Connectors for electronic equipment - Tests and measurements	
Degrees of Protection Provided by Enclosures	IEC 60529

P | Cabling

Data sheet

Page 5/7

E-DAT Industry IP67 V6 plug

P/N

130906-03-E

EAN 4250184105381

2024/08/16

Version: AL

Technical Data

Standards/Regulations

Interference proof

Immunity for industrial environments	DIN EN 61000-6-2:2006-03
--------------------------------------	--------------------------

Emission proof

Electromagnetic emission for residential, commercial and light-industrial environments	DIN EN 61000-6-3:2011-09
--	--------------------------

Classifications

ETIM 7.0	EC001121
----------	----------

ETIM 8.0	EC001121
----------	----------

ETIM 9.0	EC001121
----------	----------

Packing details

Type of packaging	1 pc(s) / plastic bag
-------------------	-----------------------

Packaging unit - Weight (gram)	392 g
--------------------------------	-------

Packaging unit - Weight (pound)	0.86 lb
---------------------------------	---------

Packaging dimension	160 mm x 100 mm x 380 mm
---------------------	--------------------------

Packaging dimension	6.299 in. x 3.937 in. x 14.961 in.
---------------------	------------------------------------

Application note

This product is a standard product of METZ CONNECT. METZ CONNECT is not aware of the specific intended use of the goods by the Customer or any customers of the Customer. The Customer guarantees that it has fully and sufficiently tested the use of the goods and any product modifications, product changes or product enhancements with regard to the specific intended use in accordance with the state of the art or in any other way. At METZ CONNECT's request, the Customer shall submit and make available meaningful evidence (e.g. test and laboratory protocols, certifications, etc.).



P | Cabling

Data sheet

E-DAT Industry IP67 V6 plug

Page 6/7

P/N

130906-03-E

EAN 4250184105381

2024/08/16

Version: AL

Accessories

P/N	Designation
130906-V3-I	Locking clamp for IP67 V6 plug, light gray
130906-V5-I	Locking clamp for IP67 V6 plug, yellow
130906-V6-I	Locking clamp for IP67 V6 plug, blue
130906-V7-I	Locking clamp for IP67 V6 plug, green
130906-V8-I	Locking clamp for IP67 V6 plug, red
130907-E	Crimp pliers for E-DAT Industry IP20 RJ45 plug

P | Cabling

Data sheet

E-DAT Industry IP67 V6 plug

Page 7/7

P/N

130906-03-E

EAN 4250184105381

2024/08/16

Version: AL

Illustrations

Dimensional drawing

