

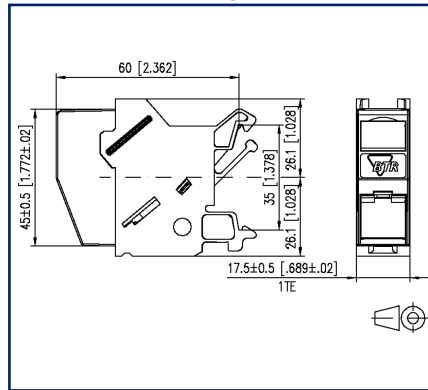
## Data sheet

### E-DAT modul REG 1 port IP20 light gray

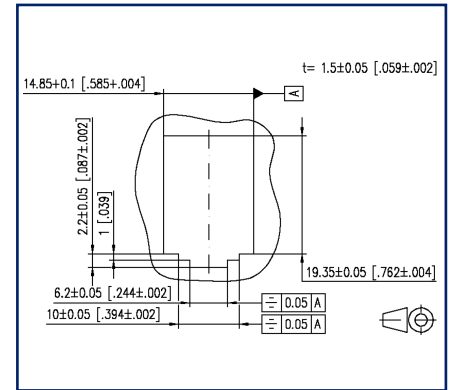
## Illustrations



Dimensional drawing



Cut-out



See enlarged drawings at the end of document

## Product specification

- termination unit for mounting on TH35 rails to DIN EN 60715 in electrical distribution panels for home and industrial installations
- equipped with individual E-DAT modul RJ45 module
- cable feed 45° from the top, plug direction 45° downwards
- compliance with class EA to ISO/IEC 11801, DIN EN 50173-1
- suitable for 10 GBit Ethernet (IEEE 802.3an), Remote Powering (PoE, PoE plus, UPoE and 4PPoE), HDBaseT, SAT-IP and AVoverIP
- easy to install connection of 2 to 4 pair data lines
- AWG 26/1 - 22/1 and stranded wires with 7 copper conductors AWG 26/7 - AWG 22/7 to MC 8-fold insulation displacement connectors (IDC)
- marking of conductor assignment to T568A and T568B
- easy and fast insertion of wire pairs in E-DAT modul stuffer cap
- width of 1HP allows mounting up to 12 REG in standard electrical distribution panels
- when mounted as a device of protection class I, the equipotential bonding is realized directly over the top hat rail by means of an integrated equipotential plate. This has to be connected to the equipotential bonding of the building by means of a bonding terminal
- a cover protects the module against direct contact. If mounted in distributor panels with protective insulation, protection class II is guaranteed. In this case, it is necessary to remove the equipotential bonding spring.
- integrated dust protection cover (also colored)

# P | Cabling

Data sheet

Page 2/9

## E-DAT modul REG 1 port IP20 light gray

P/N

1309426003-E

EAN 4250184106586

2024/10/16

Version: G

### Technical Data

#### General Data

|   |  |
|---|--|
| Fields of application                         | office areas                           |
| Mechanical measurement according to MICE      | M1                                     |
| Ingress measurement according to MICE         | I1                                     |
| Climatic measurement according to MICE        | C1                                     |
| Electromagnetic measurement according to MICE | E2                                     |
| Design  | wall outlet                            |
| Mounting style                                | Standard rail TH35                     |
| Shielding                                     | shielded                               |
| Transmission technology                       | Copper                                 |
| Wiring  | T568A and T568B                        |
| Color   | light gray                             |
| Dimensions                                    |  |
| Dimension (L x W x H)                         | 60 mm x 17.5 mm x 52.2 mm              |
| Dimension (L x W x H)                         | 2.362 in. x 0.689 in. x 2.055 in.      |
| Horizontal pitch                              | 1HP                                    |
| Labeling option                               | label window with identification label |
| Marking option                                | by dust protection                     |

#### Transmission characteristics

|                                 |                |
|---------------------------------|----------------|
| Category (ISO)                  | 6 <sub>A</sub> |
| Class (ISO/IEC)                 | E <sub>A</sub> |
| Category (TIA)                  | 6A             |
| Remote Powering                 | yes            |
| PoE                             | IEEE 802.3af   |
| PoE plus                        | IEEE 802.3at   |
| UPoE                            | yes            |
| 4PPoE                           | IEEE 802.3bt   |
| HDBaseT                         | yes            |
| Transmission rate up to 10 GBit | IEEE 802.3an   |

### Technical Data

#### Connections/interfaces

|   |   |
|---|---|
| Connector technology interface 1              | IDC-connection                                |
| Connector technology interface 2              | RJ45-jack                                     |
| Number of ports interface 2                   | 1   |
| Number of ports interface 2 equipped          | 1   |
| Number of positions/contacts interface 1      | 8   |
| Number of positions/contacts interface 2      | 8P/8C   |
| Termination data, solid wire (min. - max.)    |   |
| Conductor cross section, solid wire           | AWG 26/1 - AWG 22/1                           |
| Conductor cross section, solid wire           | 0.128 mm <sup>2</sup> - 0.324 mm <sup>2</sup> |
| Conductor diameter, solid wire (bare copper)  | 0.409 mm - 0.643 mm                           |
| Conductor diameter, solid wire (bare copper)  | 0.016 in. - 0.025 in.                         |
| Termination data, stranded wire (min. - max.) |   |
| Conductor cross section, stranded wire        | AWG 26/7                                      |
| Conductor cross section, stranded wire        | 0.141 mm <sup>2</sup>                         |
| Conductor diameter, stranded wire             | 0.483 mm                                      |
| Conductor diameter, stranded wire             | 0.019 in.                                     |
| Core diameter (min. - max.)                   |   |
| Core diameter (conductor with insulation)     | 1.6 mm  |
| Core diameter (conductor with insulation)     | 0.063 in.                                     |
| Cable sheath diameter (min. - max.)           |   |
| Cable sheath diameter                         | 5.5 mm - 10.00                                |
| Cable sheath diameter                         | 0.197 in. - 0.394                             |
| Module plug-in direction                      | 45° downwards                                 |
| Cable access/outlet                           | 45° from the top                              |

#### Electrical/ optical properties

|   |                |
|---|----------------|
| Current carrying capacity                           | max. 1 A       |
| Contact resistance                                  | max. 20 mOhm   |
| Insulation resistance                               | min. 500 MOhm  |
| Dielectric strength conductor-conductor (secondary) | min. 1000 V DC |



# P | Cabling

Data sheet

Page 4/9

## E-DAT modul REG 1 port IP20 light gray

P/N

1309426003-E

EAN 4250184106586

2024/10/16

Version: G

### Technical Data

#### Mechanical data

|  |           |
|--|-----------|
| Insertion and withdrawal force                               | max. 30 N |
| Position/mounting of latch<br>standard installation position | top       |

#### Materials and material properties

|                              |                       |
|------------------------------|-----------------------|
| Material - Housing           | GD-Zn                 |
| Material - Cover part(s)     | PA66                  |
| Material - Lower housing     | PA66                  |
| Material - Label window      | ABS, transparent      |
| Material - Dust protection   | ABS                   |
| Material - Contact           | CuSn                  |
| Material - Contact finish    | Ni + Au (nickel-gold) |
| Material - Contact carriers  | PA 6.6                |
| Material - Finish            | Ni (nickel)           |
| Material - Ground connection | CuSn4                 |
| RoHS                         | compliant             |

#### Environmental conditions

|                             |  |
|-----------------------------|--|
| Temperature (min. - max.)   |  |
| Temperature - Storage °C    | -40 °C - 70 °C                                     |
| Temperature - Storage °F    | -40 °F - 158 °F                                    |
| Temperature - Operating °C  | -40 °C - 70 °C                                     |
| Temperature - Operating °F  | -40 °F - 158 °F                                    |
| Particulate ingress         | IP2X   |
| Liquid ingress/immersion    | IPX0   |
| Rapid change of temperature | -40°C / -40°F - +70°C / 158°F / 25 cycles t=30 min |



# P | Cabling

Data sheet

Page 5/9

## E-DAT modul REG 1 port IP20 light gray

P/N

1309426003-E

EAN 4250184106586

2024/10/16

Version: G

### Technical Data

#### Certifications

GHMT Type Approval



Component

#### Approvals

UL listed (file no.)



DUXR.E178484

#### Standards/Regulations

Generic cabling systems

General requirements

ANSI/TIA-568

Connectors for electronic equipment

Free and fixed connectors

DIN EN 60603-7-51:2011-01

Connectors for electronic equipment - Tests and measurements

Test standard for connectors (engaging and separating connectors under electrical load)

DIN-EN 60512-99-001, Pg. UEL1

Endurance tests

IEC 60512-9-3: 03-2009

Interference proof

Immunity for industrial environments

DIN EN 61000-6-2:2006-03

Climate tests

IEC 60512-11

#### Classifications

ETIM 7.0

EC001024

ETIM 8.0

EC001024

ETIM 9.0

EC001024

#### Packing details

Type of packaging

10 pc(s) / box

Packaging unit - Weight (gram)

634 g

Packaging unit - Weight (pound)

1.4 lb

Packaging dimension

235 mm x 165 mm x 135 mm

Packaging dimension

9.252 in. x 6.496 in. x 5.315 in.

# P | Cabling

Data sheet

Page 6/9

## E-DAT modul REG 1 port IP20 light gray

P/N

1309426003-E

EAN 4250184106586

2024/10/16

Version: G

### Technical Data

#### Application note

This product is a standard product of METZ CONNECT. METZ CONNECT is not aware of the specific intended use of the goods by the Customer or any customers of the Customer. The Customer guarantees that it has fully and sufficiently tested the use of the goods and any product modifications, product changes or product enhancements with regard to the specific intended use in accordance with the state of the art or in any other way. At METZ CONNECT's request, the Customer shall submit and make available meaningful evidence (e.g. test and laboratory protocols, certifications, etc.).

# P | Cabling

Data sheet

Page 7/9

## E-DAT modul REG 1 port IP20 light gray

P/N

1309426003-E

EAN 4250184106586

2024/10/16

Version: G

### Accessories

| P/N            | Designation   |
|----------------|---|
| 130898-00-I    | BLIND module light gray   |
| 130898-00-RW-I | BLIND module pure white   |
| 130898-01-I    | COAX modul F jack / F jack  |
| 130898-02-I    | COAX modul IEC jack / F jack                                      |
| 130898-03-I    | COAX modul IEC plug / F jack                                      |
| 130908-I-B1    | UAE modul Cat.5e white  |
| 130909-I       | UAE modul Cat.6 jack white  |
| 130910-DNV     | E-DAT modul Cat.6 <sub>A</sub> 8(8) jack, T568A+T568B DNV         |
| 130910-I       | E-DAT modul Cat.6 <sub>A</sub> 8(8) jack                          |
| 130910-I_K     | E-DAT modul Cat.6 <sub>A</sub> 8(8) jack                          |
| 130910-I-B1    | E-DAT modul Cat.6 <sub>A</sub> 8(8) jack, T568B                   |
| 130910-Z       | E-DAT modul Cat.6 <sub>A</sub> 8(8) jack, (12 pcs)                |
| 1309A0-I       | E-DAT modul coupler 8(8) 180° class E <sub>A</sub>                |
| 1309A1-I       | E-DAT modul coupler 8(8) 90° class E <sub>A</sub>                 |
| 130A11-29-I    | UAE modul 8(8) Cat.6 <sub>A</sub> black                           |
| 130A11-I       | UAE modul 8(8) Cat.6 <sub>A</sub> white                           |
| 15091001-I     | OpDAT modul ST OS2  |
| 15091071-I     | OpDAT modul LC-Duplex OS2   |
| 15091072-I     | OpDAT modul LC-Duplex OM3   |
| 15091075-I     | OpDAT modul LC-Duplex OM4   |
| 15091076-I     | OpDAT modul LC-Duplex APC OS2                                     |
| 1509107B-I     | OpDAT modul LC-Duplex MM  |
| 816979-0105-I  | Dust protection covers for Modul patch panels subway / REG yellow |
| 816979-0106-I  | Dust protection covers for Modul patch panels subway / REG blue   |
| 816979-0107-I  | Dust protection covers for Modul patch panels subway / REG green  |
| 816979-0108-I  | Dust protection covers for Modul patch panels subway / REG red    |
| 899011-01      | Label sheet for Modul patch panels / REG                          |

# P | Cabling

Data sheet

Page 8/9

## E-DAT modul REG 1 port IP20 light gray

P/N

1309426003-E

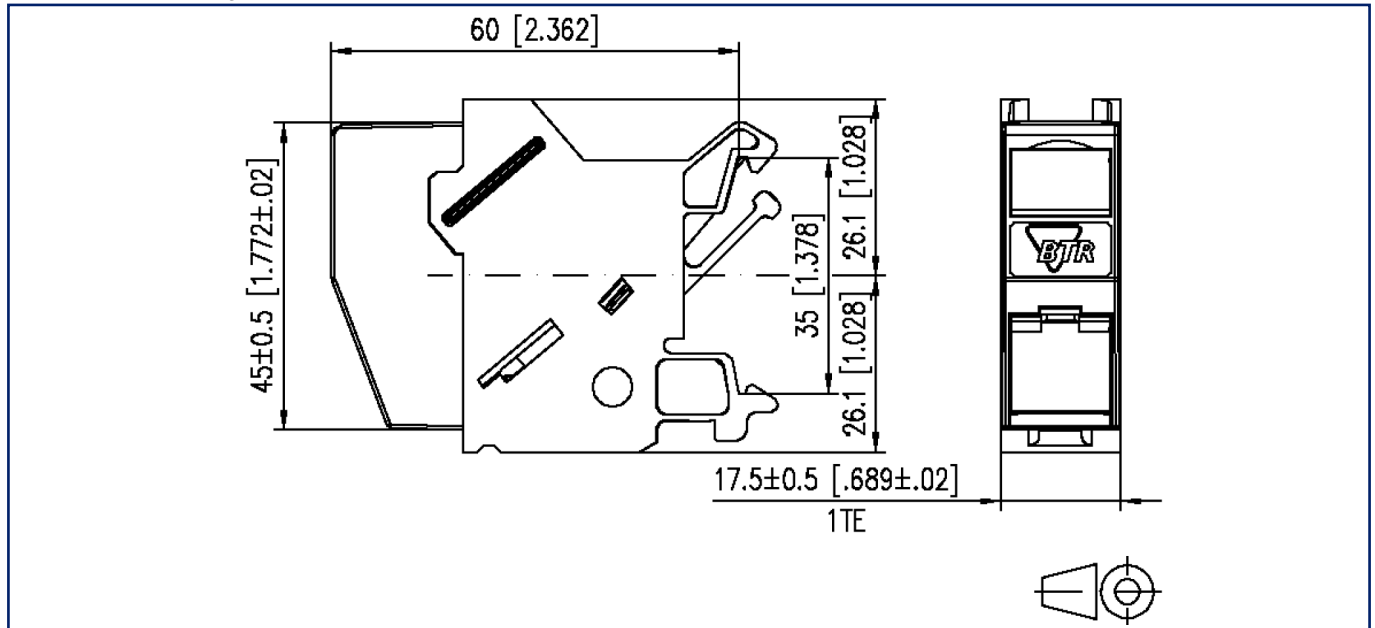
EAN 4250184106586

2024/10/16

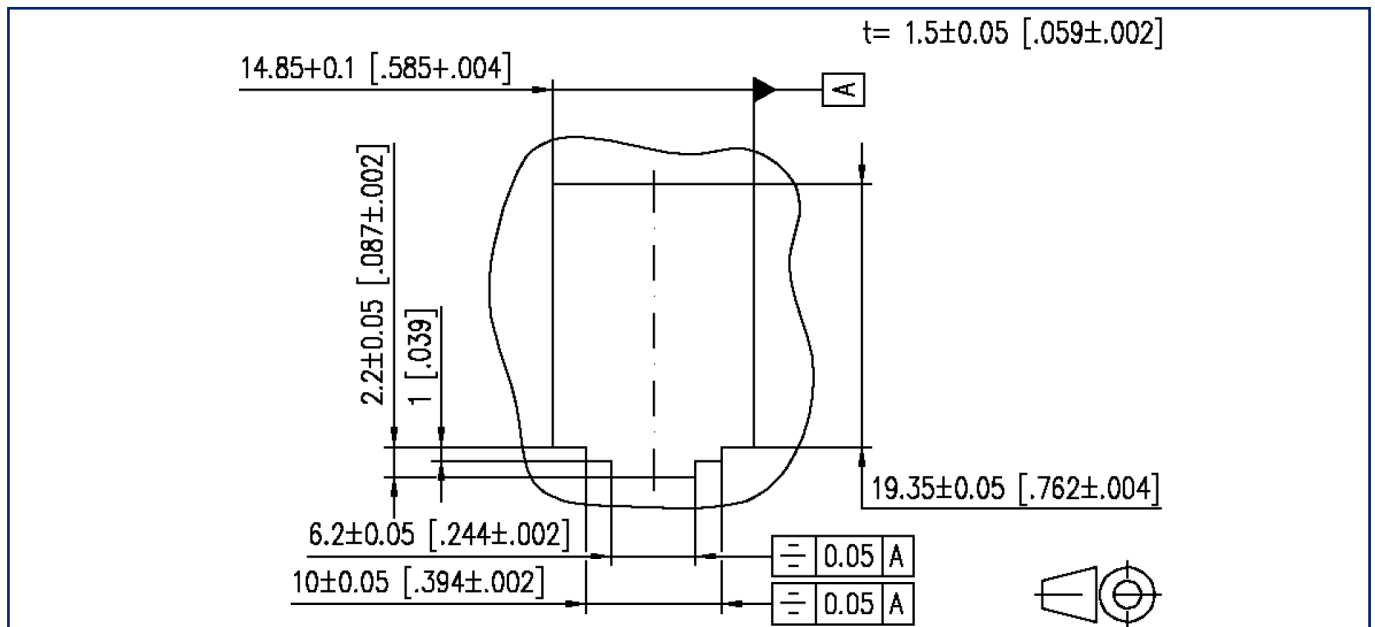
Version: G

### Illustrations

Dimensional drawing



Cut-out





# P | Cabling

Data sheet

## E-DAT modul REG 1 port IP20 light gray

Page 9/9

P/N

1309426003-E

EAN 4250184106586

2024/10/16

Version: G

### Illustrations

Wiring diagram

