

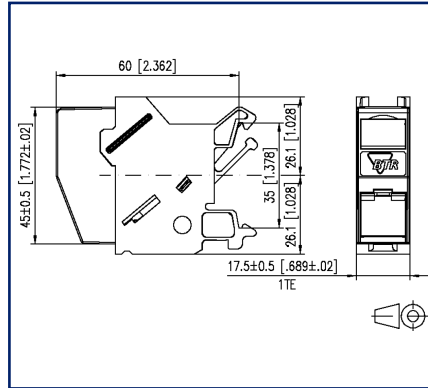
# Data sheet

## E-DAT modul REG unequipped IP20 light gray

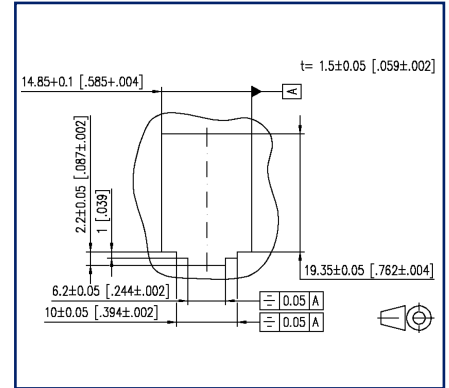
### Illustrations



Dimensional drawing



Cut-out



See enlarged drawings at the end of document

### Product specification

- unequipped termination unit for individual module in Modul design for mounting on TH35 rail to DIN EN 60715
- width of 1HP allows mounting up to 12 REG in standard electrical distribution panels
- when mounted as a device of protection class I, the equipotential bonding is realized directly over the top hat rail by means of an integrated equipotential spring. This has to be connected to the equipotential bonding of the building by means of a bonding terminal
- a cover protects the module against direct contact. If mounted in distributor panels with protective insulation, protection class II is guaranteed. In this case, it is necessary to remove the equipotential bonding spring.
- integrated dust protection cover (also colored)
- the following modules can be mounted: E-DAT modul, E-DAT modul coupler 180°, UAE modul, OpDAT modul LC-D and ST as well as Koax modules
- please note: not suitable for C6modul



### Technical Data

#### General Data

Fields of application	harsh environment
Mechanical measurement according to MICE	M1
Ingress measurement according to MICE	I1
Climatic measurement according to MICE	C1
Electromagnetic measurement according to MICE	E3
Design	wall outlet
Color	light gray
Dimensions	
Dimension (L x W x H)	60 mm x 17.5 mm x 52.2 mm
Dimension (L x W x H)	2.362 in. x 0.689 in. x 2.055 in.
Horizontal pitch	1HP
Labeling option	label window with identification label
Marking option	by dust protection

#### Connections/interfaces

Number of ports interface 1	1
Number of ports interface 2	1
Number of equipped ports interface 1	0
Number of ports interface 2 equipped	0
Module plug-in direction	45° downwards

#### Mechanical data

Cut-out	Module
---------	--------

#### Materials and material properties

Material - Cover part(s)	PA66
Material - Lower housing	PA66
Material - Ground connection	CuSn4
Material - Dust protection	ABS
Material - Label window	ABS, transparent
RoHS	compliant

# P | Cabling

Data sheet

Page 3/5

## E-DAT modul REG unequipped IP20 light gray

P/N

1309426103-E

EAN 4250184106593

2024/11/12

Version: S

### Technical Data

#### Environmental conditions

Particulate ingress	IP2X
Liquid ingress/immersion	IPX0

#### Approvals

UL listed (file no.)		DUXR.E178484
----------------------	--	--------------

#### Standards/Regulations

Mechanical fastening of electrical devices in switchgears	DIN EN 60715
---	--------------

#### Classifications

ETIM 7.0	EC001024
ETIM 8.0	EC001024
ETIM 9.0	EC001024

#### Packing details

Type of packaging	10 pc(s) / box
Packaging unit - Weight (gram)	205 g
Packaging unit - Weight (pound)	0.45 lb
Packaging dimension	235 mm x 165 mm x 135 mm
Packaging dimension	9.252 in. x 6.496 in. x 5.315 in.

#### Application note

This product is a standard product of METZ CONNECT. METZ CONNECT is not aware of the specific intended use of the goods by the Customer or any customers of the Customer. The Customer guarantees that it has fully and sufficiently tested the use of the goods and any product modifications, product changes or product enhancements with regard to the specific intended use in accordance with the state of the art or in any other way. At METZ CONNECT's request, the Customer shall submit and make available meaningful evidence (e.g. test and laboratory protocols, certifications, etc.).

### Accessories

P/N	Designation
130898-00-I	BLIND module light gray
130898-00-RW-I	BLIND module pure white
130908-I-B1	UAE modul Cat.5e white
130909-I	UAE modul Cat.6 jack white
130910-I	E-DAT modul Cat.6 <sub>A</sub> 8(8) jack
130910-Z	E-DAT modul Cat.6 <sub>A</sub> 8(8) jack, (12 pcs)
1309A0-I	E-DAT modul coupler 8(8) 180° class E <sub>A</sub>
130A11-29-I	UAE modul 8(8) Cat.6 <sub>A</sub> black
130A11-I	UAE modul 8(8) Cat.6 <sub>A</sub> white
1509005A-I	OpDAT adapter E2000-Duplex MM with Snap-In mounting
1509005B-I	OpDAT adapter E2000-Duplex OS2 with Snap-In mounting
1509005C-I	OpDAT adapter E2000-Duplex APC OS2 with Snap-In mounting
1509107B-I	OpDAT modul LC-Duplex MM
816979-0103-I	Dust protection covers for Modul patch panels subway / REG gray
816979-0105-I	Dust protection covers for Modul patch panels subway / REG yellow
816979-0106-I	Dust protection covers for Modul patch panels subway / REG blue
816979-0107-I	Dust protection covers for Modul patch panels subway / REG green
816979-0108-I	Dust protection covers for Modul patch panels subway / REG red
899011-01	Label sheet for Modul patch panels / REG

# P | Cabling

Data sheet

Page 5/5

## E-DAT modul REG unequipped IP20 light gray

P/N

1309426103-E

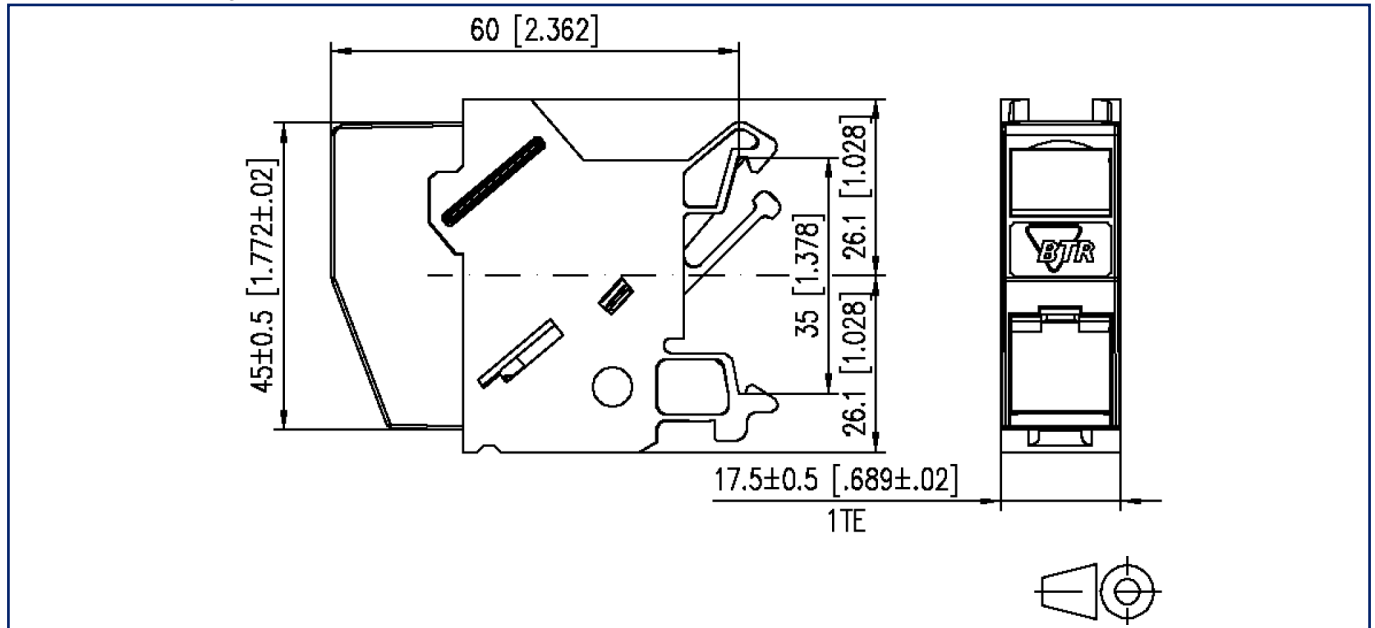
EAN 4250184106593

2024/11/12

Version: S

### Illustrations

Dimensional drawing



Cut-out

