

## Data sheet

### E-DAT modul IP44SG flush mounted housing gray unequipped

Page 1/5

P/N

1309461003-I

EAN 4250184117179

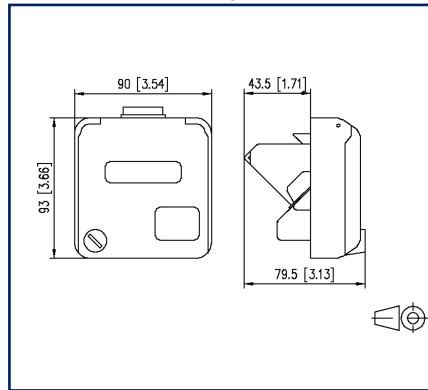
2024/09/17

Version: W

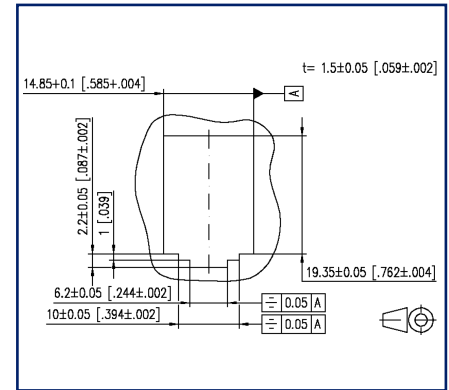
## Illustrations



Dimensional drawing



Cut-out



See enlarged drawings at the end of document

## Product specification

- lockable IP44 outlet, with two keys with lock with instantaneous locking action (identical locks and keys)
- cover closes completely, even when patch cables are plugged in
- UP housing for sill duct installation, or in conjunction with the flush-mounted UP installation outlet
- for two individual modules in Modul design
- ball-throw proof according to DIN 18032
- can be operated with standard patch cables
- clearly visible nomenclature panel
- variants: pure white, gray

## E-DAT modul IP44SG flush mounted housing gray unequipped

P/N

1309461003-I

EAN 4250184117179

2024/09/17

Version: W

### Technical Data

#### General Data

Fields of application	office areas
Mechanical measurement according to MICE	M1
Ingress measurement according to MICE	I1
Climatic measurement according to MICE	C1
Electromagnetic measurement according to MICE	E3
Design	wall outlet
Mounting style	UP
Color	gray
Dimensions	
Dimension (L x W x H)	79.5 mm x 90 mm x 93 mm
Dimension (L x W x H)	3.13 in. x 3.543 in. x 3.661 in.
Modularity	yes
Labeling option	label window with identification label

#### Connections/interfaces

Number of ports interface 2	2
Number of ports interface 2 equipped	0

#### Mechanical data

Cut-out	Module
---------	--------

#### Materials and material properties

Halogen free	yes
RoHS	compliant

#### Environmental conditions

Particulate ingress	IP4X when closed
Liquid ingress/immersion	IPX4 when closed



# P | Cabling

Data sheet

Page 3/5

## E-DAT modul IP44SG flush mounted housing gray unequipped

P/N

1309461003-I

EAN 4250184117179

2024/09/17

Version: W

### Technical Data

#### Standards/Regulations

Cover plates for installation devices 1	DIN 49075-1:1989-10
Cover plates for installation devices 2	DIN 49075-2:1989-10

#### Classifications

ETIM 7.0	EC001264
ETIM 8.0	EC001264
ETIM 9.0	EC001264

#### Packing details

Type of packaging	5 pc(s) / box
Packaging unit - Weight (gram)	762 g
Packaging unit - Weight (pound)	1.68 lb
Packaging dimension	310 mm x 262 mm x 122 mm
Packaging dimension	12.205 in. x 10.315 in. x 4.803 in.

#### Application note

This product is a standard product of METZ CONNECT. METZ CONNECT is not aware of the specific intended use of the goods by the Customer or any customers of the Customer. The Customer guarantees that it has fully and sufficiently tested the use of the goods and any product modifications, product changes or product enhancements with regard to the specific intended use in accordance with the state of the art or in any other way. At METZ CONNECT's request, the Customer shall submit and make available meaningful evidence (e.g. test and laboratory protocols, certifications, etc.).

## E-DAT modul IP44SG flush mounted housing gray unequipped

P/N

1309461003-I

EAN 4250184117179

2024/09/17

Version: W

### Accessories

P/N	Designation
130910-DNV	E-DAT modul Cat.6 <sub>A</sub> 8(8) jack, T568A+T568B DNV
130910-I	E-DAT modul Cat.6 <sub>A</sub> 8(8) jack
130910-I_K	E-DAT modul Cat.6 <sub>A</sub> 8(8) jack
130910-I-B1	E-DAT modul Cat.6 <sub>A</sub> 8(8) jack, T568B
130910-Z	E-DAT modul Cat.6 <sub>A</sub> 8(8) jack, (12 pcs)
1309441903-I	Flush mounted built-in outlet gray
130B11-25-E	25Gmodul
130B11-25-Z	25Gmodul (12 pcs)
130B11-DNV	C6 <sub>A</sub> modul 180° jack DNV
130B11-E	C6 <sub>A</sub> modul 180° jack
130B11-Z	C6 <sub>A</sub> modul 180° jack (12 pcs)
130B12-25-E	25Gmodul 270° Jack
130B12-E	C6 <sub>A</sub> modul 270° jack

# P | Cabling

Data sheet

Page 5/5

## E-DAT modul IP44SG flush mounted housing gray unequipped

P/N

1309461003-I

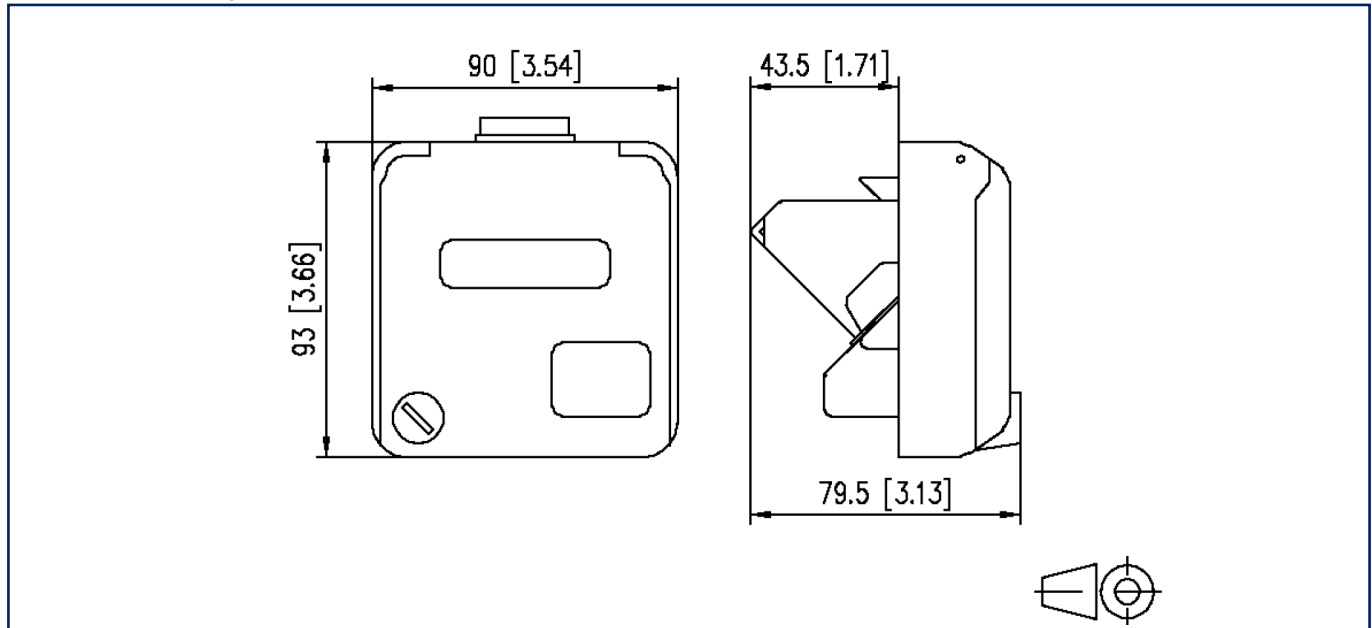
EAN 4250184117179

2024/09/17

Version: W

### Illustrations

Dimensional drawing



Cut-out

