

Data sheet

E-DAT modul coupler 8(8) 180° class E_A

Page 1/11

P/N
1309A0-I

EAN 4250184106616

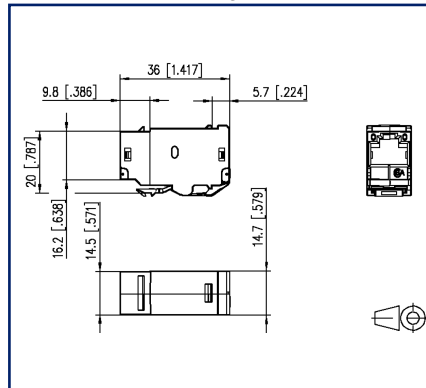
2024/08/16

Version: G

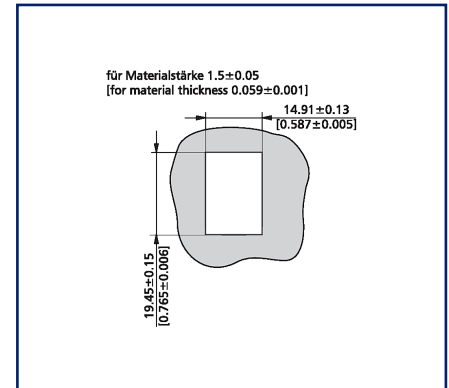
Illustrations



Dimensional drawing



Cut-out



See enlarged drawings at the end of document

Product specification

- RJ45 cable coupler class E_A
- compliance with class E_A to ISO/IEC 11801, DIN EN 50173-1
- suitable for 10 GBit Ethernet (IEEE 802.3an), Remote Powering (PoE, PoE plus and UPoE) and HDBaseT
- fully shielded 180° coupler made of refined zinc die-casting
- especially suitable for consolidation points and cross-connect cabling
- 2 mounting versions in a coupler, fits in module or keystone applications
- for modul design: modul wall outlets, modul face plates, 19 inch modul frame, Modul surface mount housing, E-DATmodul REG, Modul REG IP20, Industry built in flange EBM
- for keystone design: keystone wall outlets, keystone face plates, 19 inch keystone frame, Keystone surface mount housing, Subway Keystone, Keystone REG IP20, Industry built in flange EBK



Technical Data

General Data

| | |
|---|-----------------------------------|
| Fields of application | Consolidation points |
| Mechanical measurement according to MICE | M1 |
| Ingress measurement according to MICE | I1 |
| Climatic measurement according to MICE | C1 |
| Electromagnetic measurement according to MICE | E3 |
| Design | coupler / adapter (FO) |
| Shielding | shielded |
| Transmission technology | Copper |
| Color | metallike |
| Dimensions | |
| Dimension (L x W x H) | 36 mm x 14.7 mm x 20 mm |
| Dimension (L x W x H) | 1.417 in. x 0.579 in. x 0.787 in. |
| Modularity | yes |
| Labeling option | on housing |

Transmission characteristics

| | |
|---------------------------------|----------------|
| Class (ISO/IEC) | E _A |
| Remote Powering | yes |
| PoE | IEEE 802.3af |
| PoE plus | IEEE 802.3at |
| UPoE | yes |
| HDBaseT | yes |
| Transmission rate up to 10 GBit | IEEE 802.3an |

Connections/interfaces

| | |
|--|-----------|
| Connector technology interface 1 | RJ45-jack |
| Connector technology interface 2 | RJ45-jack |
| Number of ports interface 1 | 1 |
| Number of ports interface 2 | 1 |
| Number of equipped ports interface 1 | 1 |
| Number of ports interface 2 equipped | 1 |
| Number of positions/contacts interface 1 | 8P/8C |
| Number of positions/contacts interface 2 | 8P/8C |

P | Cabling

Data sheet

Page 3/11

E-DAT modul coupler 8(8) 180° class E_A

P/N
1309A0-I

EAN 4250184106616

2024/08/16

Version: G

Technical Data

Electrical characteristics

| | |
|---------------------------|---------------|
| Current carrying capacity | max. 1 A |
| Rated voltage | max. 50 V |
| Contact resistance | max. 20 mOhm |
| Insulation resistance | min. 500 MOhm |

Mechanical data

| | |
|--|------------------|
| Mounting method | snap-in function |
| Insertion and withdrawal force | max. 20 N |
| Position/mounting of latch standard installation position | top |

Materials and material properties

| | |
|---------------------------|-----------------------|
| Material - Housing | GD-Zn |
| Material - Contact | CuSn |
| Material - Contact finish | Ni + Au (nickel-gold) |
| Halogen free | yes |
| Material - Finish | Ni (nickel) |
| RoHS | compliant |

Environmental conditions

| | |
|-----------------------------|--|
| Temperature (min. - max.) | |
| Temperature - Storage °C | -40 °C - 70 °C |
| Temperature - Storage °F | -40 °F - 158 °F |
| Temperature - Operating °C | -40 °C - 70 °C |
| Temperature - Operating °F | -40 °F - 158 °F |
| Rapid change of temperature | -40°C / -40°F - +70°C / 158°F / 25 cycles t=30 min |

Approvals

UL listed (file no.)



DUXR.E178484

P | Cabling

Data sheet

Page 4/11

E-DAT modul coupler 8(8) 180° class E_A

P/N
1309A0-I

EAN 4250184106616

2024/08/16

Version: G

Technical Data

Standards/Regulations

Generic cabling systems

| | |
|-------------------------------|----------------------------------|
| General requirements | ISO/IEC 11801-1 DIN EN 50173-1 |
| Office buildings | ISO/IEC 11801-2 DIN EN 50173-2 |
| Industrial area | ISO/IEC 11801-3 DIN EN 50173-3 |
| Living units | ISO/IEC 11801-4 DIN EN 50173-4 |
| Data centers | ISO/IEC 11801-5 DIN EN 50173-5 |
| Distributed building services | ISO/IEC 11801-6 DIN EN 50173-6 |

Connectors for electronic equipment

| | |
|---------------------------|------------------|
| Free and fixed connectors | DIN EN 60603-7-5 |
|---------------------------|------------------|

Connectors for electronic equipment - Tests and measurements

| | |
|---|------------------------|
| Test standard for connectors (engaging and separating connectors under electrical load) | DIN-EN 60512-99-001 |
| Endurance tests | IEC 60512-9-3: 03-2009 |
| Emission proof | |
| Climate tests | IEC 60512-11 |

Classifications

| | |
|----------|----------|
| ETIM 7.0 | EC001134 |
| ETIM 8.0 | EC001134 |
| ETIM 9.0 | EC001134 |

Packing details

| | |
|---------------------------------|------------------------------------|
| Type of packaging | 10 pc(s) / box |
| Packaging unit - Weight (gram) | 371 g |
| Packaging unit - Weight (pound) | 0.82 lb |
| Packaging dimension | 258 mm x 164 mm x 51 mm |
| Packaging dimension | 10.157 in. x 6.457 in. x 2.008 in. |

P | Cabling

Data sheet

Page 5/11

E-DAT modul coupler 8(8) 180° class E_AP/N
1309A0-I

EAN 4250184106616

2024/08/16

Version: G

Technical Data

Application note

This product is a standard product of METZ CONNECT. METZ CONNECT is not aware of the specific intended use of the goods by the Customer or any customers of the Customer. The Customer guarantees that it has fully and sufficiently tested the use of the goods and any product modifications, product changes or product enhancements with regard to the specific intended use in accordance with the state of the art or in any other way. At METZ CONNECT's request, the Customer shall submit and make available meaningful evidence (e.g. test and laboratory protocols, certifications, etc.).



P | Cabling

Data sheet

Page 6/11

E-DAT modul coupler 8(8) 180° class E_A

P/N
1309A0-I

EAN 4250184106616

2024/08/16

Version: G

Accessories from

| P/N | Designation |
|---------------|--|
| 130861-0202-E | Modul surface mount housing 2 port pure white, unequipped |
| 130861-0202KE | Keystone surface mount housing 2 port pure white, unequipped |
| 130861-0302-E | Modul surface mount housing 3 port pure white, unequipped |
| 130861-0302KE | Keystone surface mount housing 3 port pure white, unequipped |
| 130861-0402-E | Modul surface mount housing 4 port pure white, unequipped |
| 130861-0402KE | Keystone surface mount housing 4 port pure white, unequipped |
| 130861-0602-E | Modul surface mount housing 6 port pure white, unequipped |
| 130861-0602KE | Keystone surface mount housing 6 port pure white, unequipped |
| 130861-0802-E | Modul surface mount housing 8 port pure white, unequipped |
| 130861-0802KE | Keystone surface mount housing 8 port pure white, unequipped |
| 130861-1202-E | Modul surface mount housing 12 port pure white, unequipped |
| 130861-1202KE | Keystone surface mount housing 12 port pure white, unequipped |
| 130861-1602-E | Modul surface mount housing 16 port pure white, unequipped |
| 130861-1602KE | Keystone surface mount housing 16 port pure white, unequipped |
| 130861-2402-E | Modul surface mount housing 2x12 port pure white, unequipped |
| 130861-2402KE | Keystone surface mount housing 2x12 port pure white, unequipped |
| 1309107003-E | REGplus IP20 E-DAT modul |
| 130910D1APLKE | Extension box 1 Port E-DAT Modul Keystone |
| 130910D2APLKE | Extension box 2 port E-DAT modul Keystone |
| 1309141002-E | Modul wall outlet flush mounted 1 port unequipped pure white |
| 1309141102-E | Modul wall outlet flush mounted trunking installation 1 port unequipped pure white |
| 1309141200-E | Modul wall outlet flush mounted without cover 3 port unequipped |
| 1309150102-E | Modul wall outlet surface mounted flat 2 port unequipped pure white |
| 1309151002-E | Modul wall outlet flush mounted 2 port unequipped pure white |
| 1309151102-E | Modul wall outlet flush mounted trunking installation 2 port unequipped pure white |
| 1309151200-E | Modul wall outlet flush mounted without cover 2 port unequipped |
| 1309161002-E | Modul wall outlet flush mounted 3 port unequipped pure white |
| 1309161102-E | Modul wall outlet flush mounted trunking installation 3 port unequipped pure white |

Accessories from

| | |
|---------------|---|
| 130920-00-E | Modul 19 inch module frame 1RU 24 Port light gray unequipped, shielded |
| 130920-00KE | Keystone 19 inch module frame 1RU 24 port light gray unequipped, shielded |
| 130920-BK-E | Modul 19 inch module frame 1RU 24 port black unequipped, shielded |
| 130920-BKKE | Keystone 19 inch module frame 1RU 24 port black unequipped, shielded |
| 130920-E | E-DAT modul 24x8(8) 1RU patch panel Cat.6 _A , light gray |
| 130921-00-E | Modul 19 inch module frame 1RU 24 port stainless steel unequipped |
| 130921-E | E-DAT modul 24x8(8) 1RU patch panel Cat.6 _A , stainless steel |
| 130922-00-E | 6 port module frame 1RU |
| 130922-02-E | E-DAT modul 6x8(8) 3RU patch panel Cat.6 _A |
| 130922-03-E | E-DAT modul 6x8(8) for 1RU patch panel Cat.6 _A |
| 130924-00-E | Modul 19 inch module frame 1.5RU 48 port stainless steel unequipped |
| 130924-E | E-DAT modul 48x8(8) 1.5RU patch panel Cat.6 _A , stainless steel |
| 130926-0029KE | Keystone 19 inch module frame 1RU 24 port black unequipped, shielded |
| 130926A0003KE | Keystone 19 inch module frame 1RU 24 port angeled grey unequipped, shielded |
| 130926A0029KE | Keystone 19 inch module frame 1RU 24 port angeled black unequipped, shielded |
| 130926AA029KE | Keystone 19 inch module frame 1RU 24 ports 133° angled, black, unequipped, shielded |
| 130927-1200-E | SmartConnect Patchpanel 12 ports MC module |
| 130927-1200KE | SmartConnect Patchpanel 12 port Keystone, unequipped |
| 130927-1600-E | SmartConnect Patchpanel 16 ports MC module |
| 130927-2400-E | SmartConnect Patchpanel 24 ports MC module |
| 1309350301-E | Subway underfloor unit GB2 Modul 3 port unequipped pearl white |
| 1309350601-E | Subway underfloor unit GB2 Modul 6 port unequipped pearl white |
| 1309350901-E | Subway underfloor unit GB2 Modul 9 port unequipped pearl white |
| 1309360301-E | Subway underfloor unit GB3 Modul 3 port unequipped pearl white |
| 1309360601-E | Subway underfloor unit GB3 Modul 6 port unequipped pearl white |
| 1309360901-E | Subway underfloor unit GB3 Modul 9 port unequipped pearl white |

Accessories from

| | |
|----------------|--|
| 1309361201-E | Subway underfloor unit GB3 Modul 12 port unequipped pearl white |
| 1309413003-E | E-DAT Industry IP67 V6 for MC module |
| 1309413103-E | E-DAT Industry IP67 V6 for keystone |
| 1309413203-E | E-DAT Industry IP67 V6 for MC module with mounting kit |
| 1309413303-E | E-DAT Industry IP67 V6 for keystone with mounting kit |
| 1309426003-E | E-DAT modul REG 1 port IP20 light gray |
| 1309426103-E | E-DAT modul REG unequipped IP20 light gray |
| 1309427103-E | Modul REGplus IP20 light gray unequipped |
| 1309428103-E | Keystone REGplus IP20 light gray unequipped |
| 1309430003-E | E-DAT modul IP44 surface mounted housing unequipped |
| 1309A07003-E | REGplus IP20 E-DAT modul coupler 180° |
| 1309A0D1APLKE | Extension box 1 port E-DAT adapter |
| 1309A0D2APLKE | Extension box 2 port E-DAT adapter |
| 1309A17003-E | REGplus IP20 E-DAT modul coupler 90° |
| 130A21-00-E | Keystone 19 inch module frame 1RU 24 port stainless steel unequipped |
| 130A24-00-E | Keystone 19 inch module frame 1.5RU 48 port stainless steel unequipped |
| 130B10D10002-E | Modul wall outlet surface mounted 1 port unequipped pure white 43 mm |
| 130B10D20002-E | Modul wall outlet surface mounted 2 port unequipped pure white 43 mm |
| 130B10D30002-E | Modul wall outlet surface mounted 3 port unequipped pure white 43 mm |
| 130B10E2E-E | Modul module frame 3RU, 7HP 6 port stainless steel unequipped |
| 130B117003-E | REGplus IP20 C6 _A modul 180°M |
| 130B11P0-E | C6 _A modul 24 port 180°M 1RU |
| 130B11P1-E | C6 _A modul 24 port 180°M 1RU stainless steel |
| 130B11P4-E | C6 _A modul 48 port 180°M 1.5RU stainless steel |
| 130B127003-E | REGplus IP20 C6 _A modul 270°M |
| 130B20E2E-E | Keystone module frame 3RU, 7HP 6 port stainless steel unequipped |
| 130B21D1APL-E | Extension box 1 Port C6 _A modul Keystone |
| 130B21D2APL-E | Extension box 2 port C6 _A modul Keystone |
| 130D2CBU4-E | DCCS2 subassembly 4 port unequipped |
| 130D2CKU4-E | DCCS2 subassembly 4 port unequipped - Keystone |

P | Cabling

Data sheet

Page 9/11

E-DAT modul coupler 8(8) 180° class E_A

P/N

1309A0-I

EAN 4250184106616

2024/08/16

Version: G

Accessories from

| | |
|------------|--|
| 14040000-E | MCO IP69k protective housing for outdoor use, set for exposed installation |
| 14040010-E | MCO IP69k Protective housing for outdoor use, set with mounting bracket |
| 14040100-E | MCO IP69k Protective housing for outdoor use, set wall/ housing bushing |



P | Cabling

Data sheet

Page 10/11

E-DAT modul coupler 8(8) 180° class E_A

P/N
1309A0-I

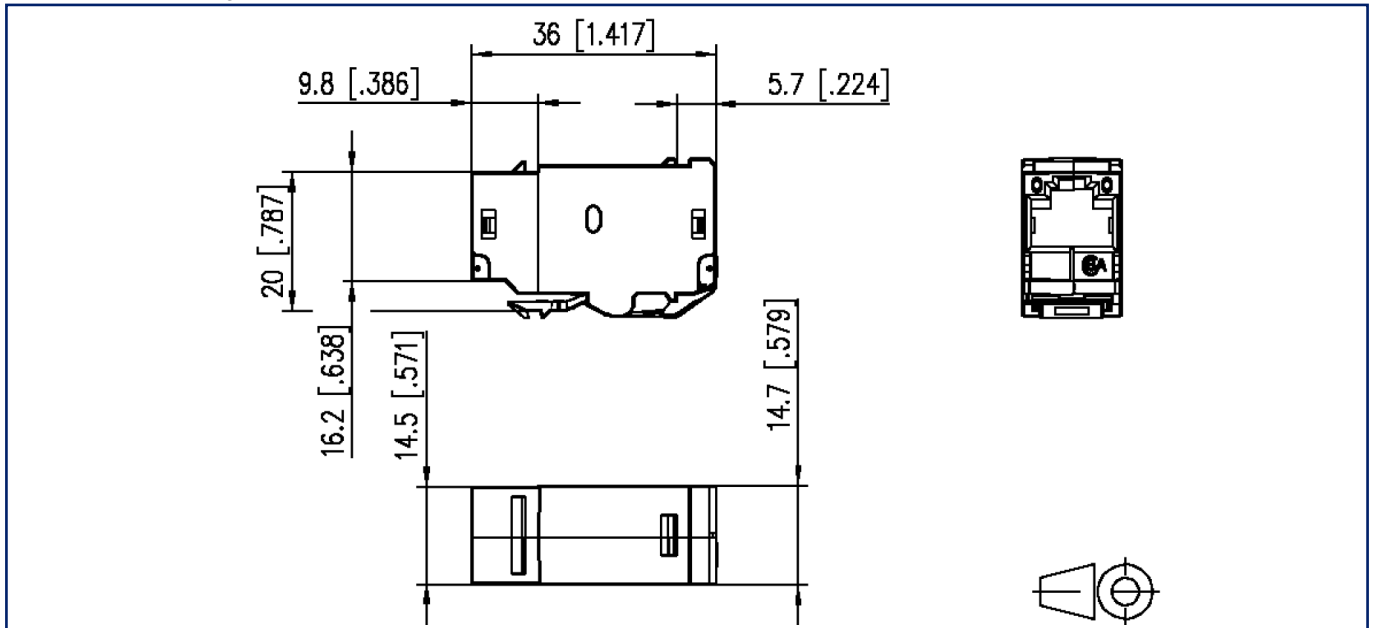
EAN 4250184106616

2024/08/16

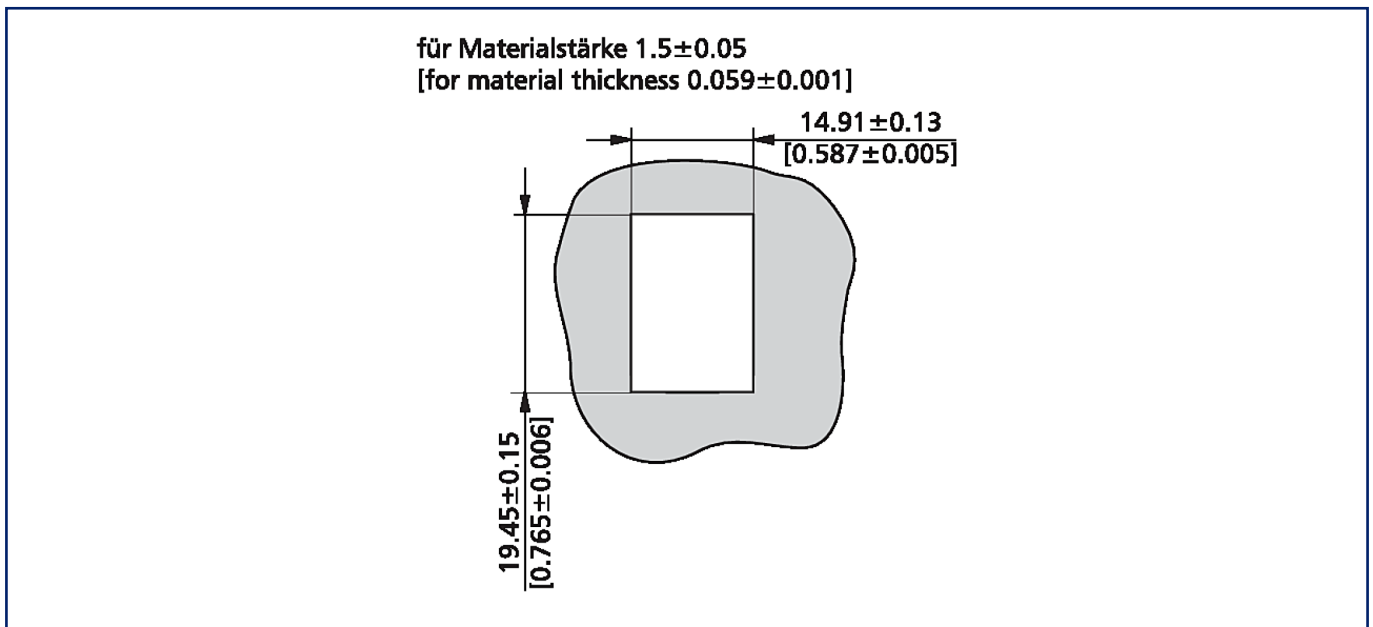
Version: G

Illustrations

Dimensional drawing



Cut-out



P | Cabling

Data sheet

Page 11/11

E-DAT modul coupler 8(8) 180° class E_A

P/N
1309A0-I

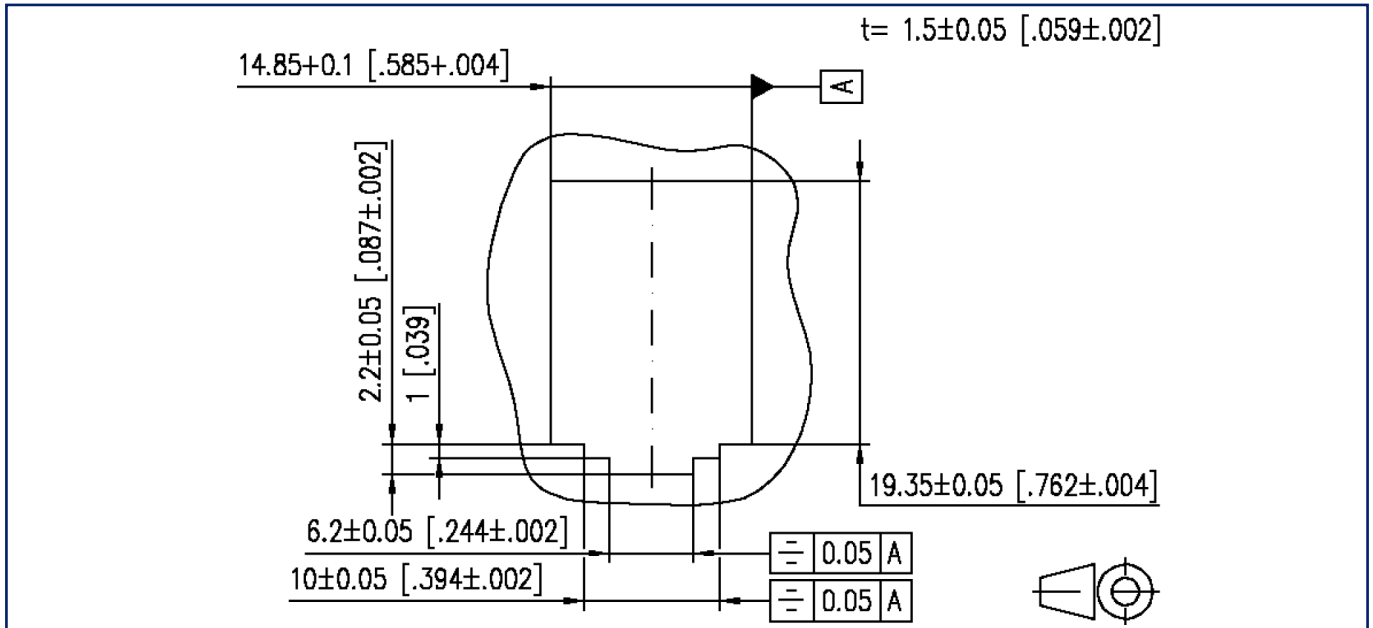
EAN 4250184106616

2024/08/16

Version: G

Illustrations

Cut-out



Cut-out

