

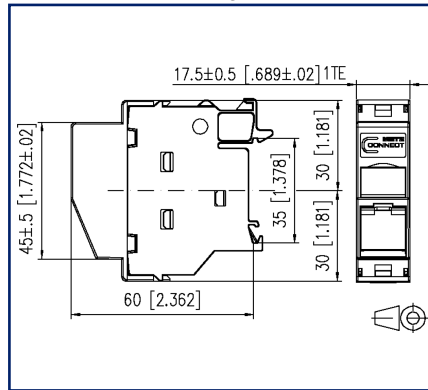
# Data sheet

## REGplus IP20 E-DAT modul coupler 90°

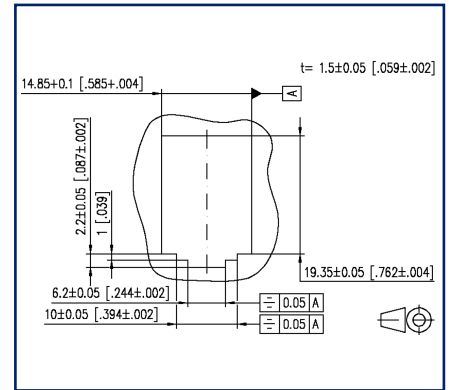
### Illustrations



Dimensional drawing



Cut-out



See enlarged drawings at the end of document

### Product specification

- equipped with E-DAT modul RJ45 coupler
- plug direction 45° downwards
- compliance with class E<sub>A</sub> according to ISO/IEC 11801, DIN EN 50173-1
- suitable for 10 GBit Ethernet (IEEE 802.3an), Remote Powering (PoE, PoE plus and UPoE) and HDBaseT
- width of 1HP allows mounting up to 12 REG plus in standard electrical distribution panels
- when mounted as a device of protection class I, the equipotential bonding is realized directly over the top hat rail by means of a switchable integrated equipotential spring. This has to be connected to the equipotential bonding of the building by means of a bonding terminal
- variants: E-DAT modul coupler 180°, E-DAT modul coupler 90°



### Technical Data

#### General Data

Fields of application	office areas
Mechanical measurement according to MICE	M1
Ingress measurement according to MICE	I1
Climatic measurement according to MICE	C1
Electromagnetic measurement according to MICE	E2
Design	wall outlet
Mounting style	Standard rail TH35
Shielding	shielded
Transmission technology	Copper
Color	light gray
Dimensions	
Dimension (L x W x H)	60 mm x 17.5 mm x 60 mm
Dimension (L x W x H)	2.362 in. x 0.689 in. x 2.362 in.
Horizontal pitch	1HP
Labeling option	label window with identification label
Marking option	by dust protection

#### Transmission characteristics

Category (ISO)	6
Class (ISO/IEC)	E <sub>A</sub>
Category (TIA)	6
Remote Powering	yes
PoE	IEEE 802.3af
PoE plus	IEEE 802.3at
UPoE	yes
HDBaseT	yes
Transmission rate up to 10 GBit	IEEE 802.3an



# P | Cabling

Data sheet

Page 3/7

## REGplus IP20 E-DAT modul coupler 90°

P/N

1309A17003-E

EAN 4250184136521

2024/10/16

Version: AG

### Technical Data

#### Connections/interfaces

Connector technology interface 1	RJ45-jack
Connector technology interface 2	RJ45-jack
Number of ports interface 1	1
Number of ports interface 2	1
Number of equipped ports interface 1	1
Number of ports interface 2 equipped	1
Number of positions/contacts interface 1	8P/8C
Number of positions/contacts interface 2	8P/8C
Module plug-in direction	45° downwards

#### Electrical/ optical properties

Current carrying capacity	max. 1 A
Contact resistance	max. 20 mOhm
Insulation resistance	min. 500 MOhm

#### Materials and material properties

Material - Housing	GD-Zn
Material - Cover part(s)	PA66
Material - Lower housing	PA66
Material - Label window	ABS, transparent
Material - Dust protection	ABS
Material - Contact	CuSn
Material - Contact finish	Ni + Au (nickel-gold)
Material - Finish	Ni (nickel)
Material - Ground connection	CuSn4
RoHS	compliant

#### Environmental conditions

Temperature (min. - max.)	
Temperature - Storage °C	-40 °C - 70 °C
Temperature - Storage °F	-40 °F - 158 °F
Temperature - Operating °C	-40 °C - 70 °C
Temperature - Operating °F	-40 °F - 158 °F
Rapid change of temperature	-40°C / -40°F - +70°C / 158°F / 25 cycles t=30 min



### Technical Data

#### Approvals

UL listed (file no.)



DUXR.E178484

#### Standards/Regulations

Connectors for electronic equipment

Free and fixed connectors

DIN EN 60603-7-51:2011-01

Connectors for electronic equipment - Tests and measurements

Test standard for connectors (engaging and separating connectors under electrical load)

DIN-EN 60512-99-001, Pg. UEL1

Endurance tests

IEC 60512-9-3: 03-2009

Interference proof

Immunity for industrial environments

DIN EN 61000-6-2:2006-03

Climate tests

IEC 60512-11

#### Classifications

ETIM 7.0

EC001024

ETIM 8.0

EC001024

ETIM 9.0

EC001024

#### Packing details

Type of packaging

10 pc(s) / box

Packaging unit - Weight (gram)

586 g

Packaging unit - Weight (pound)

1.29 lb

Packaging dimension

235 mm x 165 mm x 135 mm

Packaging dimension

9.252 in. x 6.496 in. x 5.315 in.

#### Application note

This product is a standard product of METZ CONNECT. METZ CONNECT is not aware of the specific intended use of the goods by the Customer or any customers of the Customer. The Customer guarantees that it has fully and sufficiently tested the use of the goods and any product modifications, product changes or product enhancements with regard to the specific intended use in accordance with the state of the art or in any other way. At METZ CONNECT's request, the Customer shall submit and make available meaningful evidence (e.g. test and laboratory protocols, certifications, etc.).



### Accessories

P/N	Designation
130898-00-I	BLIND module light gray
130898-00-RW-I	BLIND module pure white
130898-01-I	COAX modul F jack / F jack
130898-02-I	COAX modul IEC jack / F jack
130898-03-I	COAX modul IEC plug / F jack
130908-I-B1	UAE modul Cat.5e white
130909-I	UAE modul Cat.6 jack white
130910-DNV	E-DAT modul Cat.6 <sub>A</sub> 8(8) jack, T568A+T568B DNV
130910-I	E-DAT modul Cat.6 <sub>A</sub> 8(8) jack
130910-I_K	E-DAT modul Cat.6 <sub>A</sub> 8(8) jack
130910-I-B1	E-DAT modul Cat.6 <sub>A</sub> 8(8) jack, T568B
130910-Z	E-DAT modul Cat.6 <sub>A</sub> 8(8) jack, (12 pcs)
1309A0-I	E-DAT modul coupler 8(8) 180° class E <sub>A</sub>
1309A1-I	E-DAT modul coupler 8(8) 90° class E <sub>A</sub>
130A11-29-I	UAE modul 8(8) Cat.6 <sub>A</sub> black
130A11-I	UAE modul 8(8) Cat.6 <sub>A</sub> white
130B11-25-E	25Gmodul
130B11-25-Z	25Gmodul (12 pcs)
130B11-DNV	C6 <sub>A</sub> modul 180° jack DNV
130B11-E	C6 <sub>A</sub> modul 180° jack
130B11-Z	C6 <sub>A</sub> modul 180° jack (12 pcs)
130B12-DNV	C6 <sub>A</sub> modul 270° jack DNV
130B12-E	C6 <sub>A</sub> modul 270° jack
15091001-I	OpDAT modul ST OS2
15091071-I	OpDAT modul LC-Duplex OS2
15091072-I	OpDAT modul LC-Duplex OM3
15091075-I	OpDAT modul LC-Duplex OM4
15091076-I	OpDAT modul LC-Duplex APC OS2
1509107B-I	OpDAT modul LC-Duplex MM
816979-0103-I	Dust protection covers for Modul patch panels subway / REG gray
816979-0105-I	Dust protection covers for Modul patch panels subway / REG yellow

# P | Cabling

Data sheet

Page 6/7

## REGplus IP20 E-DAT modul coupler 90°

P/N

1309A17003-E

EAN 4250184136521

2024/10/16

Version: AG

### Accessories

816979-0106-I	Dust protection covers for Modul patch panels subway / REG blue
816979-0107-I	Dust protection covers for Modul patch panels subway / REG green
816979-0108-I	Dust protection covers for Modul patch panels subway / REG red
899011-01	Label sheet for Modul patch panels / REG

# P | Cabling

Data sheet

Page 7/7

## REGplus IP20 E-DAT modul coupler 90°

P/N

1309A17003-E

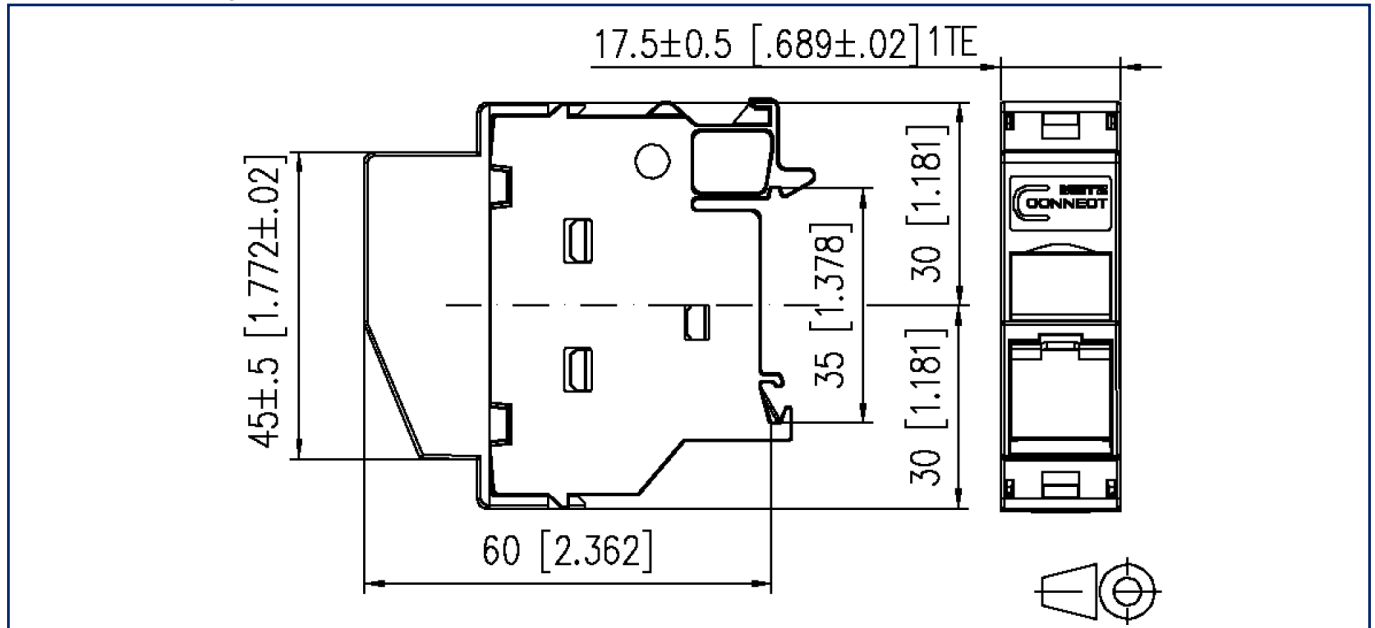
EAN 4250184136521

2024/10/16

Version: AG

### Illustrations

Dimensional drawing



Cut-out

