

Data sheet

**Keystone 19 inch module frame 1RU 24 port
light gray unequipped, unshielded**

Page 1/5

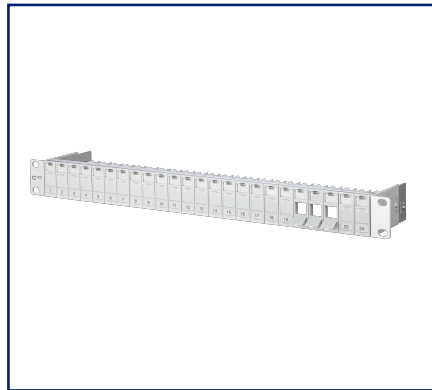
P/N
130A20-00-E

EAN 4250184106654

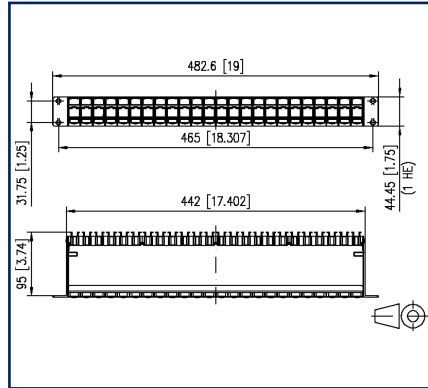
2024/10/10

Version: T

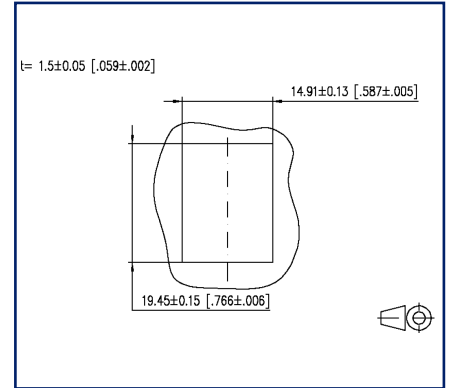
Illustrations



Dimensional drawing



Cut-out



See enlarged drawings at the end of document

Product specification

- 19 inch 1RU module frame for 24 individual modules, Keystone design
- module frame front made of silver anodized aluminum
- plastic module support with dust protection covers (other colors available as accessory), detachable to the front
- integrated cable support with optional strain relief
- label window for enclosed identification labels
- label sheet 210 x 297 mm see accessory
- grounding bolt M6 x 10 with nut and lock washer

P | Cabling

Data sheet

Page 2/5

Keystone 19 inch module frame 1RU 24 port light gray unequipped, unshielded

P/N
130A20-00-E

EAN 4250184106654

2024/10/10

Version: T

Technical Data

General Data

Fields of application	office areas
Mechanical measurement according to MICE	M1
Ingress measurement according to MICE	I1
Climatic measurement according to MICE	C1
Electromagnetic measurement according to MICE	E3
Design	patch panel
Shielding	unshielded
Color	light gray
Dimensions	
Dimension (L x W x H)	95 mm x 482.6 mm x 44.5 mm
Dimension (L x W x H)	3.74 in. x 19 in. x 1.752 in.
Inches	19 inches
Height unit	1RU
Labeling option	label window with identification label + printed numbers

Connections/interfaces

Number of ports interface 1	24
Number of equipped ports interface 1	0
Number of ports interface 2	24
Number of ports interface 2 equipped	0
Ground connection	grounding bolt M6x10 with nut and lock washer

Mechanical data

Cut-out	Keystone
strain relief	yes

Materials and material properties

Material - Subrack	Al (Aluminium)
Material - Subrack finish	silver anodized
Material - Module support	ABS
Material - Cable guide	ABS
Material - Dust protection	ABS
Material - Label window	ABS, transparent
Halogen free	yes

P | Cabling

Data sheet

Page 3/5

Keystone 19 inch module frame 1RU 24 port light gray unequipped, unshielded

P/N
130A20-00-E

EAN 4250184106654

2024/10/10

Version: T

Technical Data

Materials and material properties

RoHS compliant

Environmental conditions

Temperature (min. - max.)

Temperature - Storage °C -40 °C - 70 °C

Temperature - Storage °F -40 °F - 158 °F

Temperature - Operating °C -40 °C - 70 °C

Temperature - Operating °F -40 °F - 158 °F

Approvals

UL listed (file no.)



DUXR.E178484

Classifications

ETIM 7.0 EC001128

ETIM 8.0 EC001128

ETIM 9.0 EC001128

Packing details

Type of packaging 1 pc(s) / box

Packaging unit - Weight (gram) 563 g

Packaging unit - Weight (pound) 1.24 lb

Packaging dimension 520 mm x 180 mm x 46 mm

Packaging dimension 20.472 in. x 7.087 in. x 1.811 in.

Application note

This product is a standard product of METZ CONNECT. METZ CONNECT is not aware of the specific intended use of the goods by the Customer or any customers of the Customer. The Customer guarantees that it has fully and sufficiently tested the use of the goods and any product modifications, product changes or product enhancements with regard to the specific intended use in accordance with the state of the art or in any other way. At METZ CONNECT's request, the Customer shall submit and make available meaningful evidence (e.g. test and laboratory protocols, certifications, etc.).

P | Cabling

Data sheet

Page 4/5

Keystone 19 inch module frame 1RU 24 port light gray unequipped, unshielded

P/N

130A20-00-E

EAN 4250184106654

2024/10/10

Version: T

Accessories

P/N	Designation
130792	Mounting kit, cage nuts M6
130898-0003KI	Keystone BLIND module light gray
130898-0029KI	Keystone BLIND module black
130898-0103KI	COAX modul F jack / F jack, Keystone
130898-0203KI	COAX modul IEC jack / F jack, Keystone
130898-0303KI	COAX modul IEC plug / F jack, Keystone
130A08-I-B1	UTP modul Cat.5e white
130A10-29-I-B1	UTP modul 8(8) Cat.6 black
130A10-I-B1	UTP modul 8(8) Cat.6 white
130A11-29KI	UTP modul 8(8) Cat.6 _A Keystone black
130A11KI	UTP modul 8(8) Cat.6 _A Keystone white
15091071-I	OpDAT modul LC-Duplex OS2
15091072-I	OpDAT modul LC-Duplex OM3
15091075-I	OpDAT modul LC-Duplex OM4
15091076-I	OpDAT modul LC-Duplex APC OS2
1509107B-I	OpDAT modul LC-Duplex MM
816979-0103-I	Dust protection covers for Modul patch panels subway / REG gray
816979-0105-I	Dust protection covers for Modul patch panels subway / REG yellow
816979-0106-I	Dust protection covers for Modul patch panels subway / REG blue
816979-0107-I	Dust protection covers for Modul patch panels subway / REG green
816979-0108-I	Dust protection covers for Modul patch panels subway / REG red
899011-01	Label sheet for Modul patch panels / REG

P | Cabling

Data sheet

Page 5/5

**Keystone 19 inch module frame 1RU 24 port
light gray unequipped, unshielded**

P/N
130A20-00-E

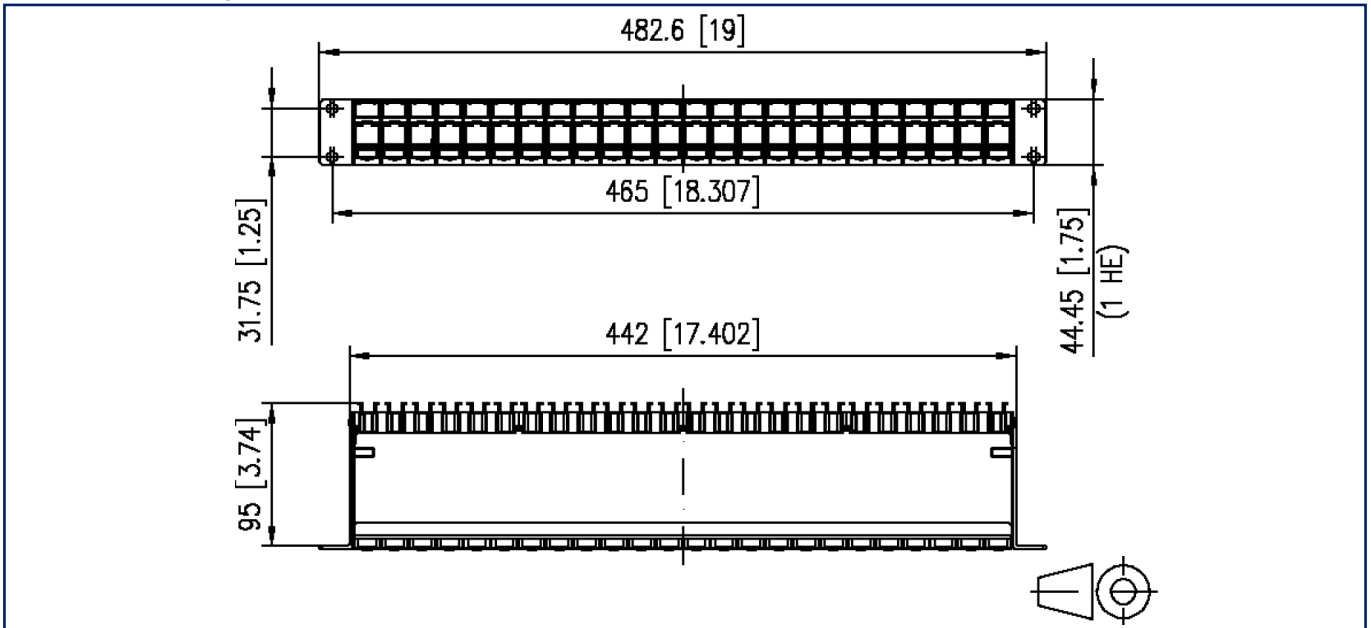
EAN 4250184106654

2024/10/10

Version: T

Illustrations

Dimensional drawing



Cut-out

