

Data sheet

Keystone 19 inch module frame 1RU 24 port stainless steel unequipped

Page 1/5

P/N
130A21-00-E

EAN 4250184106678

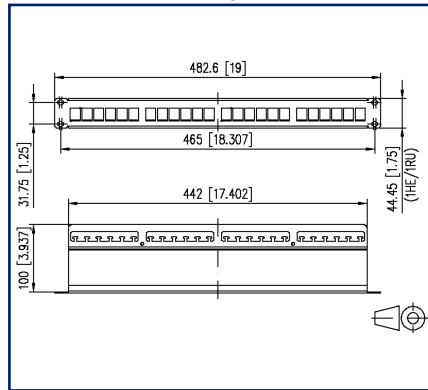
2025/05/13

Version: U

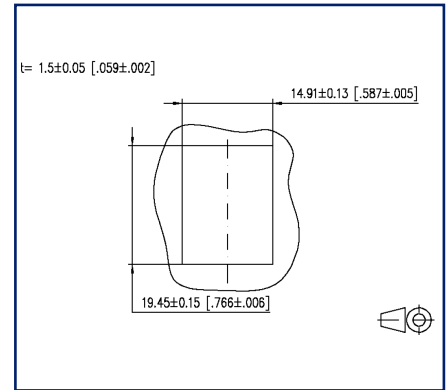
Illustrations



Dimensional drawing



Cut-out



See enlarged drawings at the end of document

Product specification

- 19 inch 1RU stainless steel module frame for 24 individual modules, Keystone design
- optional strain relief on patch panel using cable ties
- grounding bolt M6 x 10 with nut and lock washer
- incl. 30 cm grounding cable
- all fully shielded Keystone modules are connected by means of the stainless steel module frame

Data sheet

Page 2/5

Keystone 19 inch module frame 1RU 24 port stainless steel unequipped

P/N

130A21-00-E

EAN 4250184106678

2025/05/13

Version: U

Technical Data

General Data

Fields of application	office areas
Mechanical measurement according to MICE	M1
Ingress measurement according to MICE	I1
Climatic measurement according to MICE	C1
Electromagnetic measurement according to MICE	E3
Design	patch panel
Color	stainless steel
Dimensions	
Dimension (L x W x H)	100 mm x 482.6 mm x 44.5 mm
Dimension (L x W x H)	3.937 in. x 19 in. x 1.752 in.
Inches	19 inches
Height unit	1RU
Labeling option	printed numbers

Connections/interfaces

Number of ports interface 1	24
Number of equipped ports interface 1	0
Number of ports interface 2	24
Number of ports interface 2 equipped	0
Grounding wire length	0.3 m
Grounding wire length	0.98 ft
Ground connection	grounding bolt M6x10 with nut and lock washer

Mechanical data

Cut-out	Keystone
---------	----------

Materials and material properties

Material - Module support	stainless steel
Halogen free	yes
RoHS	compliant

Data sheet

Page 3/5

Keystone 19 inch module frame 1RU 24 port stainless steel unequipped

P/N
130A21-00-E

EAN 4250184106678

2025/05/13

Version: U

Technical Data

Environmental conditions

Temperature (min. - max.)

Temperature - Storage °C -40 °C - 70 °C

Temperature - Storage °F -40 °F - 158 °F

Temperature - Operating °C -40 °C - 70 °C

Temperature - Operating °F -40 °F - 158 °F

Classifications

ETIM 7.0 EC001128

ETIM 8.0 EC001128

ETIM 9.0 EC001128

Packing details

Type of packaging 1 pc(s) / box

Packaging unit - Weight (gram) 780 g

Packaging unit - Weight (pound) 1.72 lb

Packaging dimension 520 mm x 180 mm x 46 mm

Packaging dimension 20.472 in. x 7.087 in. x 1.811 in.

Application note

This product is a standard product of METZ CONNECT. METZ CONNECT is not aware of the specific intended use of the goods by the Customer or any customers of the Customer. The Customer guarantees that it has fully and sufficiently tested the use of the goods and any product modifications, product changes or product enhancements with regard to the specific intended use in accordance with the state of the art or in any other way. At METZ CONNECT's request, the Customer shall submit and make available meaningful evidence (e.g. test and laboratory protocols, certifications, etc.).



Data sheet

Page 4/5

Keystone 19 inch module frame 1RU 24 port stainless steel unequipped

P/N
130A21-00-E

EAN 4250184106678

2025/05/13

Version: U

Accessories

P/N	Designation
130792	Mounting kit, cage nuts M6
130898-0003KI	Keystone BLIND module light gray
130898-0029KI	Keystone BLIND module black
130898-0103KI	COAX modul F jack / F jack, Keystone
130898-0203KI	COAX modul IEC jack / F jack, Keystone
130898-0303KI	COAX modul IEC plug / F jack, Keystone
130910K-DNV	E-DAT modul Cat.6 _A K jack - Keystone style DNV
130910KI	E-DAT modul Cat.6 _A K jack - Keystone style
130910KZ	E-DAT modul Cat.6 _A K jack - Keystone style (12 pcs)
1309A0-I	E-DAT modul coupler 8(8) 180° class E _A
130A08-I-B1	UTP modul Cat.5e white
130A10-29-I-B1	UTP modul 8(8) Cat.6 black
130A10-I-B1	UTP modul 8(8) Cat.6 white
130A11-29KI	UTP modul 8(8) Cat.6 _A Keystone black
130A11KI	UTP modul 8(8) Cat.6 _A Keystone white
15091071-I	OpDAT modul LC-Duplex OS2
15091072-I	OpDAT modul LC-Duplex OM3
15091075-I	OpDAT modul LC-Duplex OM4
15091076-I	OpDAT modul LC-Duplex APC OS2
1509107B-I	OpDAT modul LC-Duplex MM
820032-0102-I	Dust protection cover for C6 _A modul pure white
820032-0103-I	Dust protection cover for C6 _A modul light gray
820032-0105-I	Dust protection cover for C6 _A modul yellow
820032-0106-I	Dust protection cover for C6 _A modul blue
820032-0107-I	Dust protection cover for C6 _A modul green
820032-0108-I	Dust protection cover for C6 _A modul red
820032-0129-H	Dust protection cover for C6 _A modul black, (250 pcs)
820032-0129-I	Dust protection cover for C6 _A modul black

Data sheet

Page 5/5

**Keystone 19 inch module frame 1RU 24 port
stainless steel unequipped**

P/N
130A21-00-E

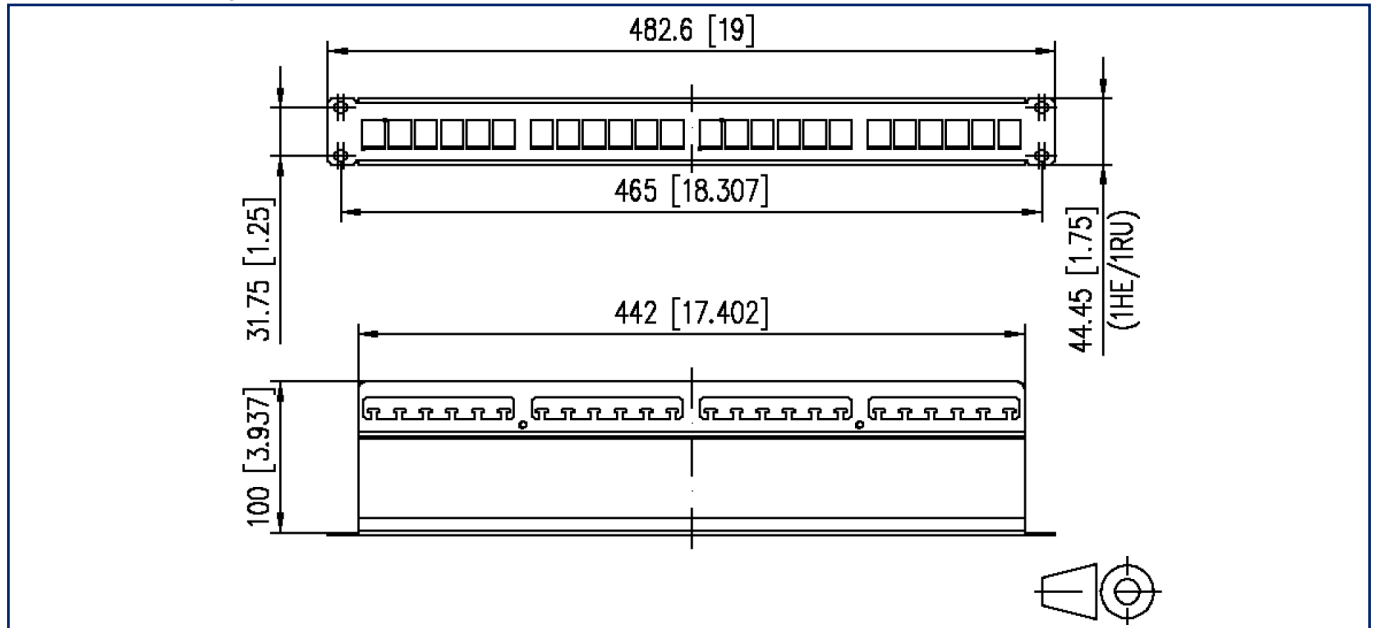
EAN 4250184106678

2025/05/13

Version: U

Illustrations

Dimensional drawing



Cut-out

