

Data sheet

Keystone wall outlet surface mounted 3 port unequipped pure white

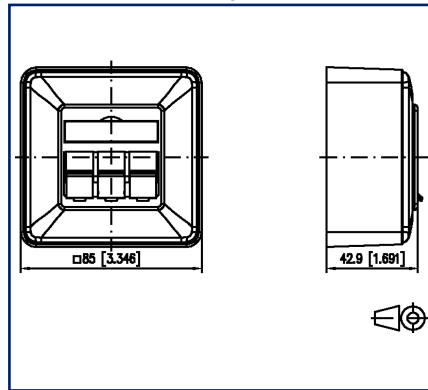
Page 1/6

P/N
130B20D30002KE
EAN 4250184157786
2024/10/10
Version: U

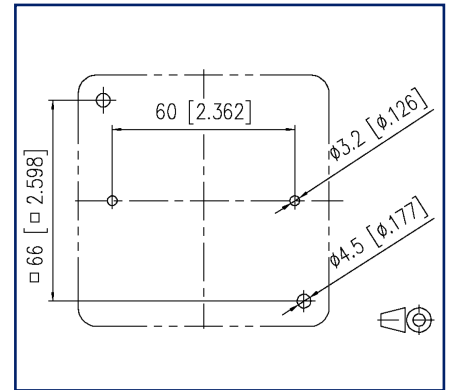
Illustrations



Dimensional drawing



Drill pattern



See enlarged drawings at the end of document

Product specification

- surface-mounted termination unit 85 x 85 x 35 mm
- for individual modules with Keystone design (please note: E-DAT modul couplers 8(8) only fit with an appropriate patch cable)
- module plug direction 45° downwards
- strain relief on the module
- with label window for enclosed identification labels
- label sheet 209 x 294 mm see accessory
- integrated dust protection covers (also colored versions available)
- cover parts in pure white RAL 9010, structured surface with matt finish
- Variants: 1 port, 2 ports, 3 ports

Keystone wall outlet surface mounted 3 port unequipped pure white

P/N
130B20D30002KE
EAN 4250184157786
2024/10/10
Version: U

Technical Data

General Data

Fields of application	office areas
Mechanical measurement according to MICE	M1
Ingress measurement according to MICE	I1
Climatic measurement according to MICE	C1
Electromagnetic measurement according to MICE	E3
Design	wall outlet
Mounting style	AP
Color	pure white - RAL 9010
Dimensions	
Dimension (L x W x H)	85 mm x 42.9 mm x 85 mm
Dimension (L x W x H)	3.346 in. x 1.689 in. x 3.346 in.
Labeling option	label window with identification label
Marking option	by dust protection

Connections/interfaces

Number of ports interface 2	3
Number of ports interface 2 equipped	0
Number of ports with dust protection interface 2	3
Module plug-in direction	45° downwards

Mechanical data

Cut-out	Keystone
strain relief	attached to module

Materials and material properties

Material - Supporting frame	GD-Zn
Material - Surface mount frame	ABS, impact resistant
Material - Cover part(s)	ABS
Material - Label window	ABS, transparent
Material - Dust protection	ABS
Halogen free	yes
RoHS	compliant

P | Cabling

Data sheet

Page 3/6

Keystone wall outlet surface mounted 3 port unequipped pure white

P/N

130B20D30002KE

EAN 4250184157786

2024/10/10

Version: U

Technical Data

Classifications

ETIM 7.0	EC001264
ETIM 8.0	EC001264
ETIM 9.0	EC001264

Packing details

Type of packaging	10 pc(s) / box
Packaging unit - Weight (gram)	1110 g
Packaging unit - Weight (pound)	2.45 lb
Packaging dimension	240 mm x 170 mm x 140 mm
Packaging dimension	9.449 in. x 6.693 in. x 5.512 in.

Application note

This product is a standard product of METZ CONNECT. METZ CONNECT is not aware of the specific intended use of the goods by the Customer or any customers of the Customer. The Customer guarantees that it has fully and sufficiently tested the use of the goods and any product modifications, product changes or product enhancements with regard to the specific intended use in accordance with the state of the art or in any other way. At METZ CONNECT's request, the Customer shall submit and make available meaningful evidence (e.g. test and laboratory protocols, certifications, etc.).



P | Cabling

Data sheet

Page 4/6

Keystone wall outlet surface mounted 3 port unequipped pure white

P/N

130B20D30002KE

EAN 4250184157786

2024/10/10

Version: U

Accessories

P/N	Designation
820394-0105-I	Dust protection covers for wall outlets yellow
820394-0106-I	Dust protection covers for wall outlets blue
820394-0107-I	Dust protection covers for wall outlets green
820394-0108-I	Dust protection covers for wall outlets red
899650-01	Label sheet for wall outlets



P | Cabling

Data sheet

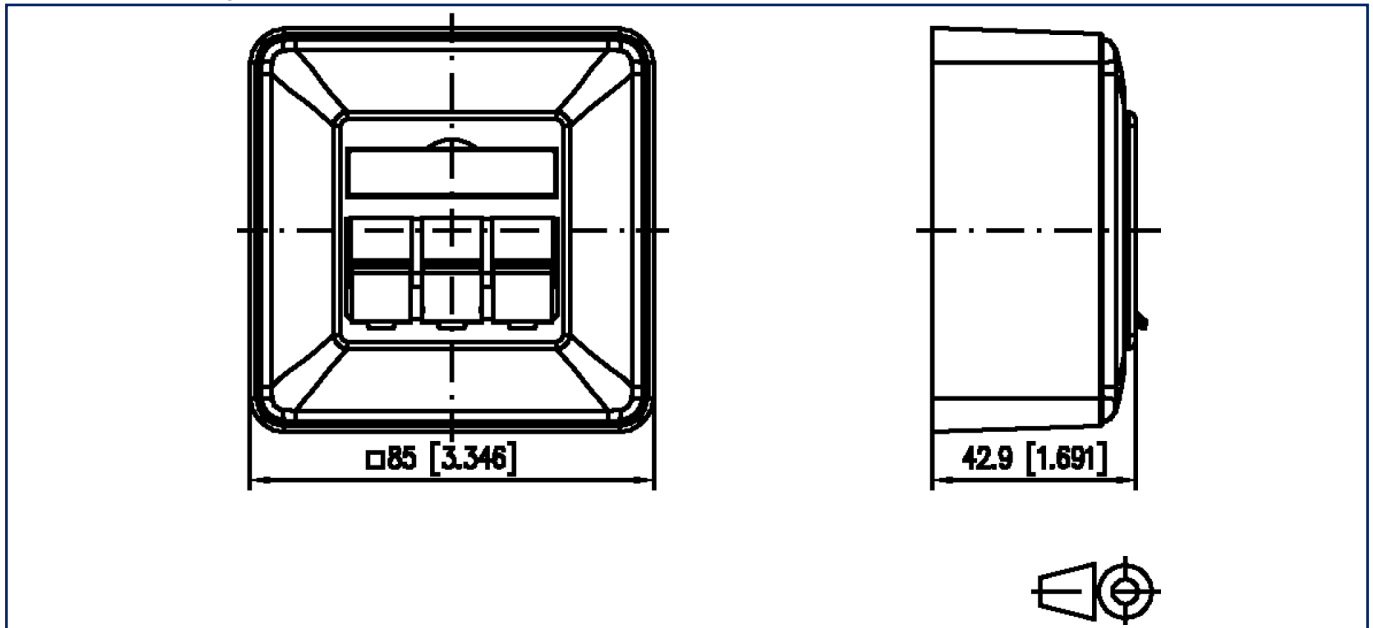
Page 5/6

**Keystone wall outlet surface mounted 3 port
unequipped pure white**

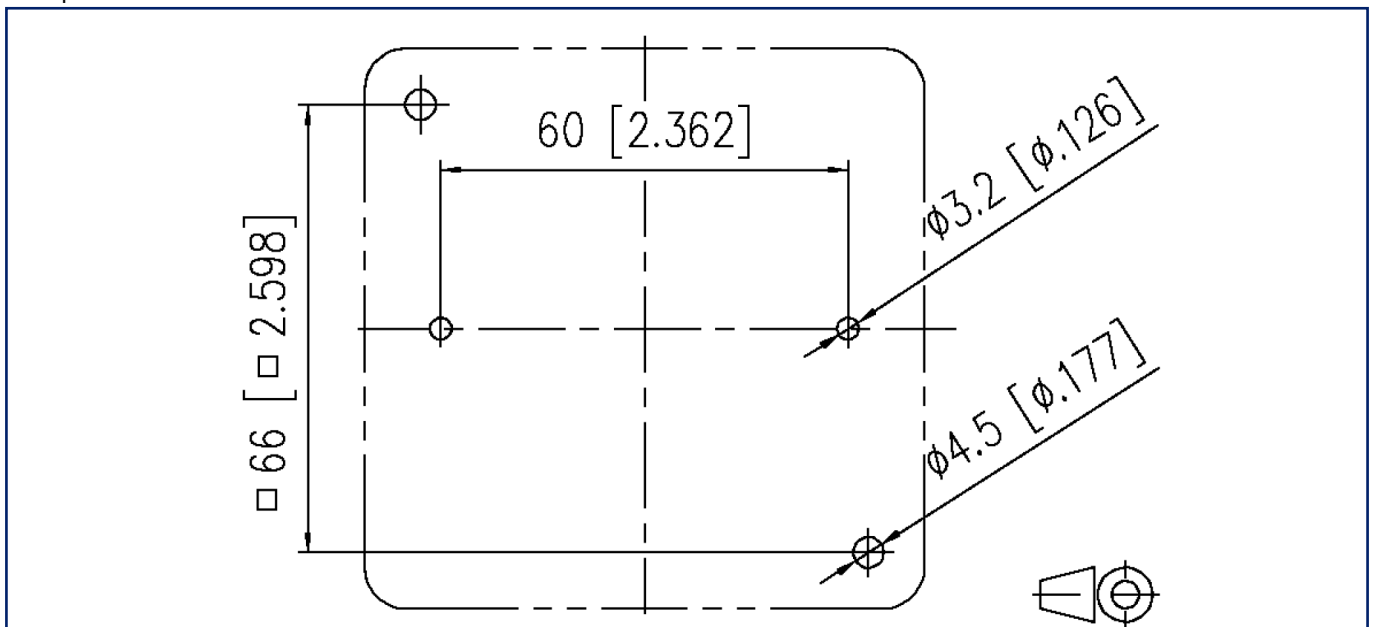
P/N
130B20D30002KE
EAN 4250184157786
2024/10/10
Version: U

Illustrations

Dimensional drawing



Drill pattern



P | Cabling

Data sheet

Page 6/6

**Keystone wall outlet surface mounted 3 port
unequipped pure white**

P/N

130B20D30002KE

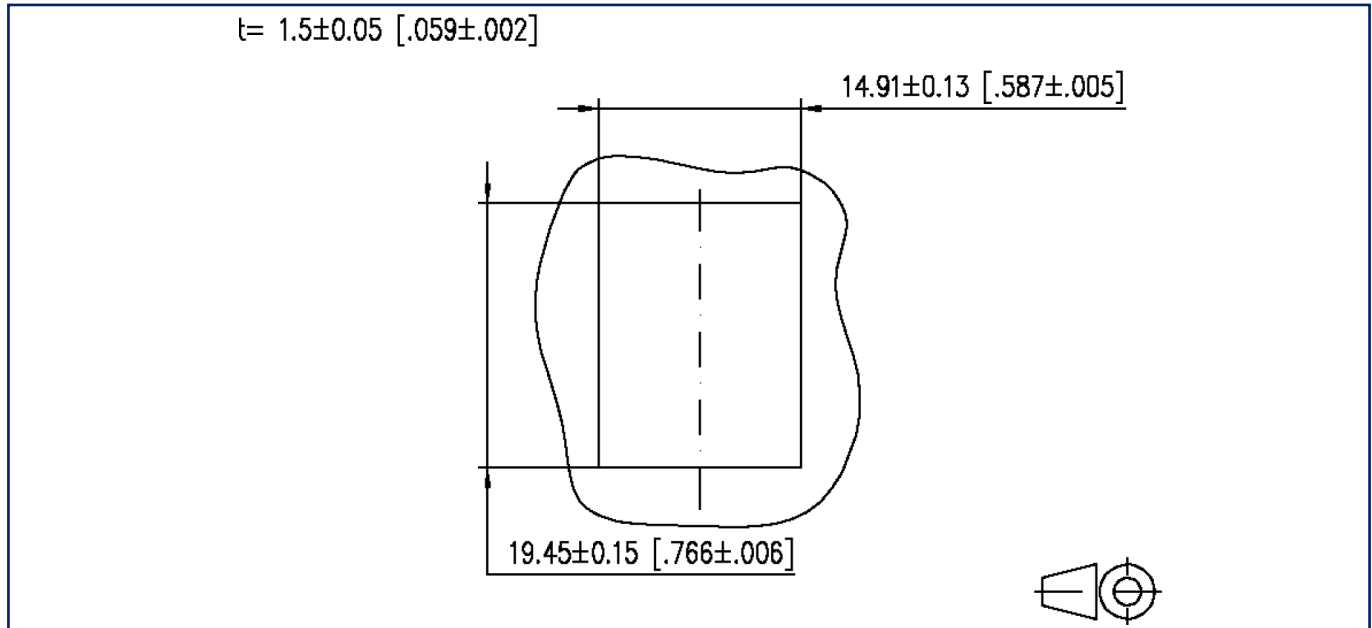
EAN 4250184157786

2024/10/10

Version: U

Illustrations

Cut-out



© 2024 METZ CONNECT - Technische Änderungen vorbehalten! Subject to modifications! Sous réserve de modifications techniques!

