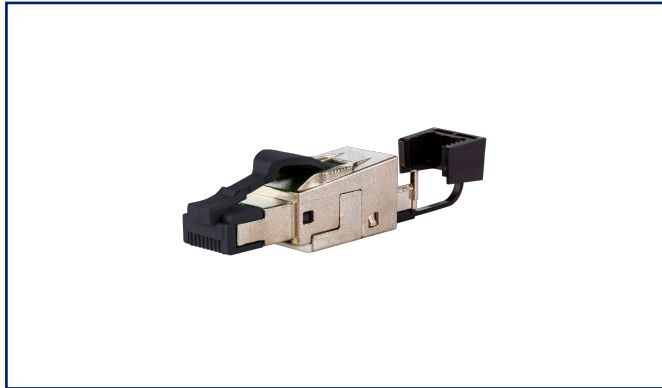


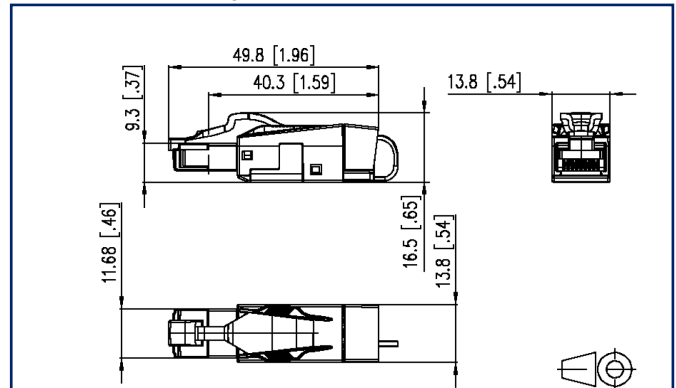
Data sheet

C6_A RJ45 field plug pro

Illustrations



Dimensional drawing



See enlarged drawings at the end of document

Product specification

- Cat.6_A class E_A RJ45 plug to be assembled in the field
- fully shielded and multi-port capable
- straight (180°) cable feed
- easy assembly - connection without special tools
- wire connection: stranded wire AWG 27/7 to 22/7, wire diameter from 0.46 to 0.76 mm
- wire connection: solid wire AWG 26/1 to 22/1, wire diameter from 0.4 to 0.64 mm
- transmission characteristics Cat.6_A per ISO/IEC 11801 Ed.2.2:2011-06
- compliance with class E_A to ISO/IEC 11801 Ed.2.2:2011-06, DIN EN 50173-1:2011-09
- suitable for 10 GBit Ethernet (IEEE 802.3an), Remote Powering (PoE, PoE plus, UPoE and 4PPoE) and HDBaseT
- degree of protection IP20
- for cable jacket diameter from 5.5 to 10.5 mm
- zinc die-cast housing for industrial use consists of only 2 parts
- strain relief by latching clip directly on the stuffer cap
- protected locking hook
- reconnectable



P | Cabling

Data sheet

Page 2/7

C6_A RJ45 field plug pro

P/N

130E405032-E

EAN 4250184180593

2021/11/16

Version: AD

Technical Data

General Data

Fields of application	Structured building cabling
Design	plug
Shielding	shielded
Transmission technology	Copper
Color	black
Dimensions	
Dimension (L x W x H)	49.8 mm x 13.8 mm x 16.5 mm
Dimension (L x W x H)	1.961 in. x 0.543 in. x 0.65 in.
Field assembly ability	yes
Multi-port capability	yes
Labeling option	on housing
Marking option	by latching clip

Transmission characteristics

Category (ISO)	6 _A
Class (ISO/IEC)	E _A
Category (TIA)	6A
Remote Powering	yes
PoE	IEEE 802.3af
PoE plus	IEEE 802.3at
UPoE	yes
4PPoE	IEEE 802.3bt
HDBaseT	yes
Transmission rate up to 10 GBit	IEEE 802.3an

Connections/interfaces

Connector technology interface 1	IDC-connection
Connector technology interface 2	RJ45 plug
Number of ports interface 2	1
Number of ports interface 2 equipped	1
Number of positions/contacts interface 1	8
Number of positions/contacts interface 2	8P/8C

P | Cabling

Data sheet

Page 3/7

C6_A RJ45 field plug pro

P/N

130E405032-E

EAN 4250184180593

2021/11/16

Version: AD

Technical Data

Connections/interfaces

Termination data, solid wire (min. - max.)

Conductor cross section, solid wire	AWG 26/1 - AWG 22/1
Conductor cross section, solid wire	0.128 mm ² - 0.324 mm ²
Conductor diameter, solid wire (bare copper)	0.409 mm - 0.643 mm
Conductor diameter, solid wire (bare copper)	0.016 in. - 0.025 in.

Termination data, stranded wire (min. - max.)

Conductor cross section, stranded wire	AWG 27/7 - AWG 22/7
Conductor cross section, stranded wire	0.111 mm ² - 0.355 mm ²
Conductor diameter, stranded wire (bare copper)	0.457 mm - 0.762 mm
Conductor diameter, stranded wire (bare copper)	0.018 in. - 0.03 in.

Aderdurchmesser (min.-max.)

Core diameter (conductor with insulation)	1.6 mm
Core diameter (conductor with insulation)	0.063 in.

Cable sheath diameter (min. - max.)

Cable sheath diameter	5.5 mm - 10.5 mm
Cable sheath diameter	0.217 in. - 0.413 in.

Cable access/outlet	180°
---------------------	------

Reconnectibility	yes, if cross section is greater or the same
------------------	--

Shield connection	flexible contact spring
-------------------	-------------------------

Electrical characteristics

Current carrying capacity	max. 1 A
---------------------------	----------

Rated voltage	max. 50 V
---------------	-----------

Contact resistance	max. 20 mOhm
--------------------	--------------

Insulation resistance	min. 500 MOhm
-----------------------	---------------

Dielectric strength conductor-conductor (secondary)	1000 V DC
---	-----------

Dielectric strength conductor-shield	1500 V DC
--------------------------------------	-----------

P | Cabling

Data sheet

Page 4/7

C6_A RJ45 field plug pro

P/N

130E405032-E

EAN 4250184180593

2021/11/16

Version: AD

Technical Data

Mechanical data

Mounting method	snap-in function
Insertion and withdrawal force	max. 20 N
Life - Number of mating cycles	min. 750
Position/mounting of latch standard installation position	top
strain relief	latching clip

Materials and material properties

Material - Housing	GD-Zn (zinc die-cast)
Material - Contact	CuSn (tin bronze)
Material - Contact finish	Ni + Au (nickel-gold)
Material - Latch	Plastics
Material - Finish	Ni (nickel)
RoHS	compliant
REACH - substance (SVHC)	none

Environmental conditions

Temperature (min. - max.)	
Temperature - Storage °C	-40 °C - 85 °C
Temperature - Storage °F	-40 °F - 185 °F
Temperature - Operating °C	-40 °C - 85 °C
Temperature - Operating °F	-40 °F - 185 °F
Note for Temperature - Storage	Visual inspection after 500 hours of ageing at 95 °C (203 °C), report available on request.
Particulate ingress	IP2X
Liquid ingress/immersion	IPX0
Electromagnetic measurement	E2



P | Cabling

Data sheet

Page 5/7

C6_A RJ45 field plug pro

P/N

130E405032-E

EAN 4250184180593

2021/11/16

Version: AD

Technical Data

Certifications

GHMT Type Approval 4 Connector Channel, Class EA (valid to: 02/2019)

Approvals

CE compliant

UL listed (file no.)  DUXR.E178484

The product meets the following standards

Generic cabling systems

General requirements ANSI/TIA-568-C

Office buildings ISO/IEC 11801 Ed.2.2: 2011-06 | DIN EN 50173-2
ANSI/TIA-568-C

Industrial area ISO/IEC 24702 | DIN EN 50173-3
ANSI/TIA-1005

Living units ISO/IEC 15018 | DIN EN 50173-4
ANSI/TIA-570-B

Application-specific communications cabling systems

PROFINET yes

Industrial communication networks
Installation in industrial premises IEC 61918

Connectors for electronic equipment

Free and fixed connectors IEC 60603-7-51

Connectors for electronic equipment - Tests and measurements

Test standard for connectors (engaging and
separating connectors under electrical load) DIN-EN 60512-99-001, DIN-EN 60512-99-002

Interference proof

Immunity for industrial environments DIN EN 61000-6-2:2006-03

Emission proof

Electromagnetic emission for residential,
commercial and light-industrial environments DIN EN 61000-6-3:2011-09

P | Cabling

Data sheet

Page 6/7

C6_A RJ45 field plug pro

P/N

130E405032-E

EAN 4250184180593

2021/11/16

Version: AD

Technical Data

The product meets the following standards

Railway applications

Electronic equipment used on rolling stock DIN EN 50155

Fire protection on railway vehicles DIN EN 45545-2

Classifications

ETIM 5.0 EC001121

ETIM 6.0 EC001121

ETIM 7.0 EC001121

ETIM 8.0 EC001121

Packing details

Type of packaging 10 pc(s) / box

Packaging unit - Weight (gram) 413 g

Packaging unit - Weight (pound) 0.91 lb

Packaging dimension 258 mm x 164 mm x 51 mm

Packaging dimension 10.157 in. x 6.457 in. x 2.008 in.

P | Cabling

Data sheet

C6_A RJ45 field plug pro

Page 7/7

P/N

130E405032-E

EAN 4250184180593

2021/11/16

Version: AD

Illustrations

Dimensional drawing

