

# Data sheet

## OpDAT REG S for shrink splice holder

Page 1/4

P/N

15024B10S-S

EAN 4251122179730

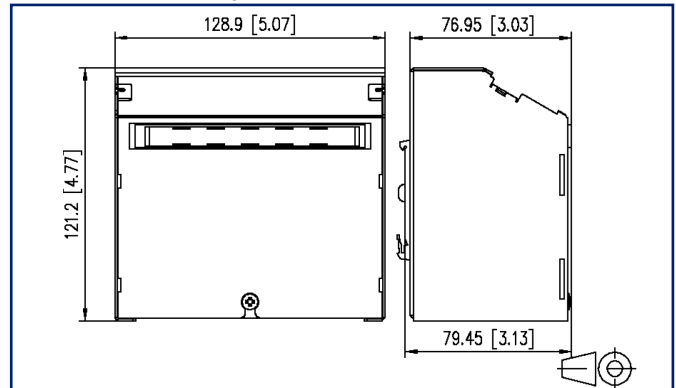
2025/05/19

Version: U

### Illustrations



Dimensional drawing



See enlarged drawings at the end of document

### Product specification

- Very compact splice distributor for TH35 rail
- Flat design with an inclined outlet (connections facing downward) and a large cabling space
- Great ease of use even with high cable channels in the immediate surroundings
- To mount pigtails or pre-terminated installation cables (VIKs)
- Modular design: housing, equipped front plate and splice tray are to be ordered separately
- Visible area with label strip
- The rail bracket can be mounted in different positions to the housing to allow for several mounting variants.
- Cable feed from top or bottom with a strain relief M20 (available as an option).
- Front plate (3RU/7HP) with LC-Quad, SC-Duplex, ST or E2000 adapters. Other types available on demand.
- 3 variants available:
  - OpDAT REG S V = for pre-terminated cables
  - OpDAT REG S Splice C = for 12 splices with crimp splice holders
  - OpDAT REG S Splice S = for 12 splices with shrink splice holders
- Particularly solid rail bracket
- With one captive screw of the cover
- Suitable for mixed equipment with fiber optic and copper based technology
- With a mounted blind plate it can be used on the rail as splice box only or also as a transit splice box with up to 12 (24) fibers



# OpDAT REG S for shrink splice holder

P/N

15024B10S-S

EAN 4251122179730

2025/05/19

Version: U

## Technical Data

### General Data

Mechanical measurement according to MICE	M1
Ingress measurement according to MICE	I1
Climatic measurement according to MICE	C1
Electromagnetic measurement according to MICE	E3
Design	Splice distributor
Color	gray
Dimensions	
Dimension (L x W x H)	79.45 mm x 128.9 mm x 121.2 mm
Dimension (L x W x H)	3.128 in. x 5.075 in. x 4.772 in.
Labeling option	label strip / labeling strip

### Connections/interfaces

Cable access/outlet	from top or bottom, with M20 gland (up to 2 possible)
Ground connection	grounding bolt M4 x10 with nut and lock washer

### Materials and material properties

Material - Housing	steel
Halogen free	yes
RoHS	compliant

### Classifications

ETIM 7.0	EC001130
ETIM 8.0	EC001130
ETIM 9.0	EC001130

### Packing details

Type of packaging	1 pc(s) / box
Packaging dimension	167 mm x 147 mm x 95 mm
Packaging dimension	6.575 in. x 5.787 in. x 3.74 in.

### Application note

This product is a standard product of METZ CONNECT. METZ CONNECT is not aware of the specific intended use of the goods by the Customer or any customers of the Customer. The Customer guarantees that it has fully and sufficiently tested the use of the goods and any product modifications, product changes or product enhancements with regard to the specific intended use in accordance with the state of the art or in any other way. At METZ CONNECT's request, the Customer shall submit and make available meaningful evidence (e.g. test and laboratory protocols, certifications, etc.).



# OpDAT REG S for shrink splice holder

P/N

15024B10S-S

EAN 4251122179730

2025/05/19

Version: U

## Accessories

P/N	Designation
130810-01-E	Cover plate 3RU/7HP
130B10E2E-E	Modul module frame 3RU, 7HP 6 port stainless steel unequipped
130B20E2E-E	Keystone module frame 3RU, 7HP 6 port stainless steel unequipped
150240M20Z-E	OpDAT strain relief M20
15024A0112-E	OpDAT REGpro front cover 12xST SM+MM
15024A3112-E	OpDAT REGpro front cover 12xST MM
15024A5812-E	OpDAT REGpro front cover 12xE2000-S SM
15024A5912-E	OpDAT REGpro front cover 12xE2000-S APC OS2
15024A5A06-E	OpDAT REGpro front cover 6xE2000-D MM
15024A5B06-E	OpDAT REGpro front cover 3RU, 7HP 6xE2000-D SM (ceramic)
15024A5C06-E	OpDAT REGpro front cover 6xE2000-Duplex APC OS2
15024A7203-E	OpDAT REGpro front cover 3RU, 7HP 3xLC-Q OM2 (ceramic, beige)
15024A7903-E	OpDAT REGpro front cover 3xLC-Q OM4
15024AC206-E	OpDAT REGpro front cover 6xSC-Duplex MM
15024AD204-E	OpDAT REGpro front cover 3RU, 7HP 6xSC-D OS2 (ceramic, metal)
15024AD206-E	OpDAT REGpro front cover 6xSC-Duplex OS2
15090401-E	OpDAT crimp splice protection (12 pieces)

Data sheet  
**OpDAT REG S for shrink splice holder**

Page 4/4

P/N  
**15024B10S-S**  
EAN 4251122179730  
2025/05/19  
Version: U

**Illustrations**

Dimensional drawing

