

Data sheet

PT065xxVBEN Typ 041

Page 1/5

P/N
310411xx

xx=number of poles

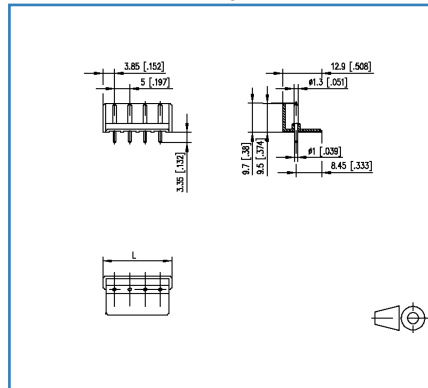
2019/10/24

Version: R

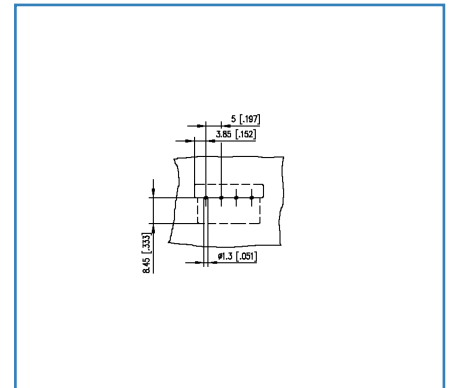
Illustrations



Dimensional drawing



Drill pattern



See enlarged drawings at the end of document

Product specification



- pin header, solderable
- centerline 5.00 mm, direction of connection vertical 0°
- open ends, guiding ribs
- color black

Technical Data

General Data

Solder pin length	3.35 mm		
min. number of poles	2		
max. number of poles	12		
Insulating material class	CTI 600		
clearance/creepage dist.	3.7 mm		
protection category	IP00		
Overvoltage category	III	III	II
Pollution degree	3	2	2
Rated voltage	250 V	630 V	630 V
Rated test voltage	4 kV	4 kV	4 kV

Approvals

 V / A	300 / 15
approval UL - File No.	E121004
 1.5 mm ²	250 V / 4 kV / 10 A / 1.0 mm

Material

insulating material	PA66
flammability class	V0
contact pin material	CuZn
contact pin surface	Ni + Ag
Glow-Wire Flammability GWFI	960 °C acc. to IEC 60695-2-12
Glow-Wire Flammability GWIT	775 °C acc. to IEC 60695-2-13

Climatic Data

upper limit temperature	105 °C
lower limit temperature	-40 °C

General

Tolerance	ISO 2768 -mH
Solderability	Acc. to JEDEC JESD22-B102E 245°C/5s

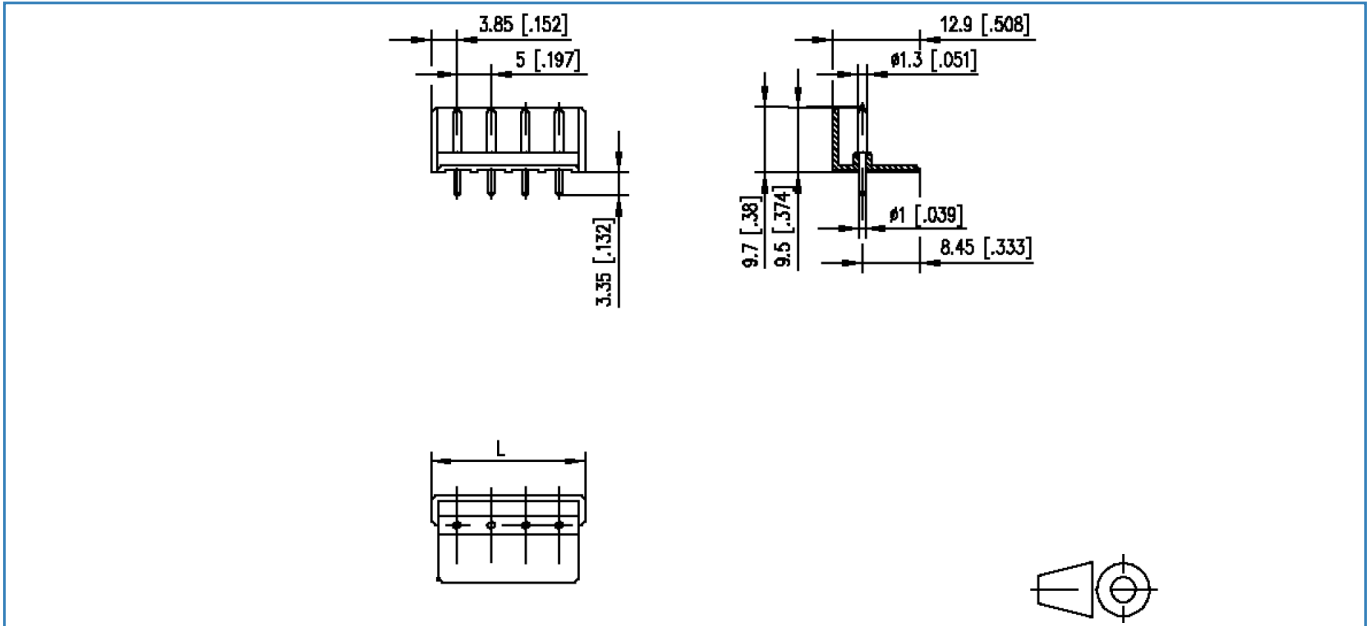
Counterpart of

P/N	Designation
310071	RP025xxIBWC Typ 007
310771	RP025xxIBWU Typ 077
311071	RP025xxHBWC Typ 107
ASP025	SP025xxHDNC ASP025
ASP0250404	SP025xxHDNC ASP025
ASP0250599-000	SP02505HMNC000 PROFINET
ASP145XX22-131	SP145xxHBPC0001
ASP155XX22-131	SP155xxHBPC0001



Illustrations

Dimensional drawing



$L = (\text{pole size} - 1) \times \text{centerline} + 7.7 \text{ mm} [0.303]$

© 2019 METZ CONNECT - Technische Änderungen vorbehalten! Subject to modifications! Sous réserve de modifications techniques!



Illustrations

Drill pattern

