

# Data sheet

RP025xxHBWC Typ 107

Page 1/6

P/N  
311071xx

xx=number of poles

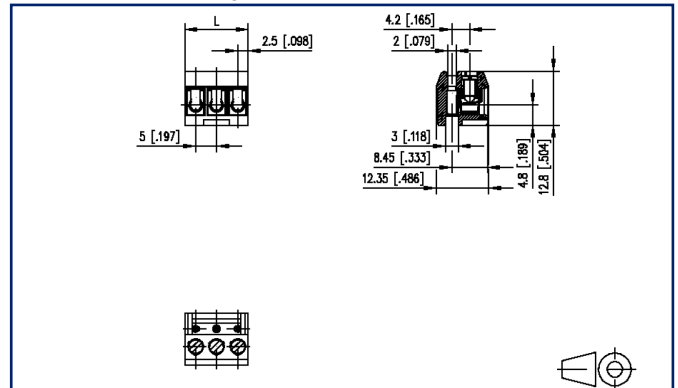
2022/04/05

Version: S

## Illustrations



Dimensional drawing



See enlarged drawings at the end of document



## Product specification

- screw type terminal block, pluggable
- centerline 5.00 mm, direction of connection 90°
- wire protector, fittable without loss of poles
- color black
- Wire entry perpendicular to plug direction

**Technical Data**

General Data			
Tightening torque SEV	0.5 Nm		
Tightening torque UL	4.4 lb-in		
min. number of poles	2		
max. number of poles	24		
Insulating material class	CTI 600		
clearance/creepage dist.	2.3 mm		
Protection category	IP00		
Min. insul. strip length	6 mm		
Rated current	6 A		
Overvoltage category	III	III	II
Pollution degree	3	2	2
Rated voltage	100 V	320 V	320 V
Rated test voltage	2.5 kV	2.5 kV	2.5 kV

Terminal data	
rat.wiring solid AWGmax	0.08 mm <sup>2</sup> - 2.5 mm <sup>2</sup> / AWG 28 - AWG 12
rat.wiring strand.AWGmax	0.08 mm <sup>2</sup> - 2.5 mm <sup>2</sup> / AWG 28 - AWG 12

Approvals	
 V / A / AWG	300 / 10 / 28 - 12
approval UL - File No.	E121004
 2.5 mm <sup>2</sup>	250 V / 2.5 kV / 10 A

Material	
insulating material	PA66
flammability class	V0
contact material	CuSn
Contact surface	Sn
terminal body thread	M3
terminal body material	CuZnPb
terminal body surface	Ni
screw thread	M3
screw material	8,8
screw surface	Zn Cr(VI)-frei/free
wire protector material	CuSn

# U | Contact

Data sheet

**RP025xxHBWC Typ 107**

Page 3/6

P/N

**311071xx****xx=number of poles**

2022/04/05

Version: S

## Technical Data

wire protector surface	Sn
Glow-Wire Flammability GWFI	960 °C acc. to IEC 60695-2-12
Glow-Wire Flammability GWIT	775 °C acc. to IEC 60695-2-13
REACH	compliant
REACH - substance (SVHC)	Lead / 7439-92-1

## Climatic Data

upper limit temperature	105 °C
lower limit temperature	-40 °C

## general

Tolerance	ISO 2768 -mH
-----------	--------------

# U | Contact

Data sheet  
RP025xxHBWC Typ 107

Page 4/6

P/N  
311071xx

xx=number of poles

2022/04/05

Version: S

## Accessories

P/N	Designation
710084	Mounting flange right for type 07, 08
710085	Mounting flange left for type 07, 08
710121-2	Coding pin short for type 007
710122-2	Coding pin long for type 007
716846	Coding comb pastel blue



# U | Contact

Data sheet  
RP025xxHBWC Typ 107

Page 5/6

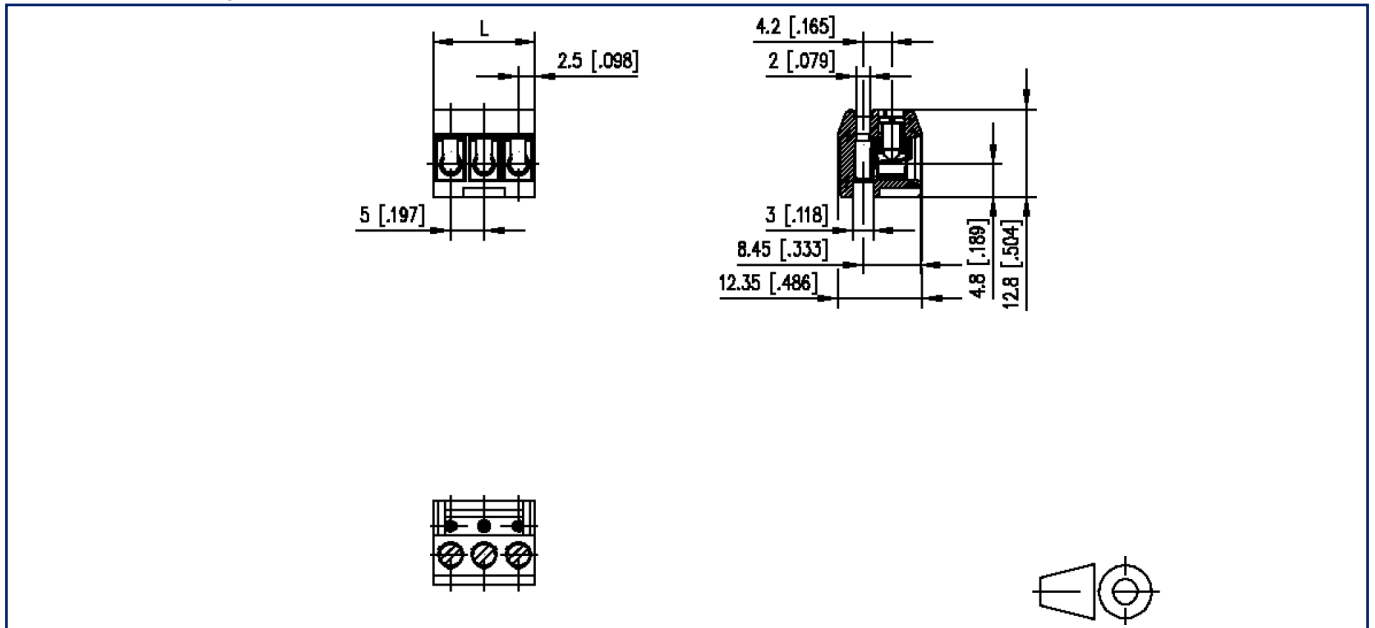
P/N  
311071xx  
xx=number of poles  
2022/04/05  
Version: S

## Counterpart

P/N	Designation
310171	PR015xxVBHC Typ 017
310271	PR015xxVBVC Typ 027
310391	PT055xxHBHC Typ 039
310411	PT065xxVBEN Typ 041
310421	PT065xxVBVN Type 042
314171	PM035xxVBHC Typ 417

## Illustrations

Dimensional drawing



$L = (\text{pole size} - 1) \times \text{centerline} + 5 \text{ mm } [0.197]$