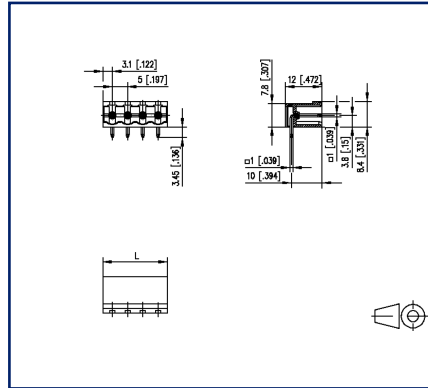


Data sheet
PT115xxHBBN Typ 330

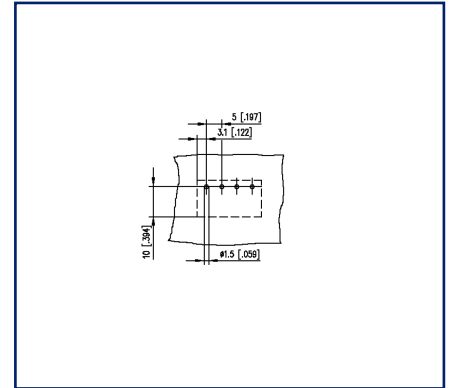
Illustrations



Dimensional drawing



Drill pattern





See enlarged drawings at the end of document

Product specification

- pin header, solderable
- centerline 5.00 mm, direction of connection 90°
- closed ends
- color black
- codeable

Technical Data

General Data			
Solder pin length	3.45 mm		
min. number of poles	2		
max. number of poles	24		
Insulating material class	CTI 600		
clearance/creepage dist.	4 mm		
Protection category	IP00		
Rated current	10 A		
Overvoltage category	III	III	II
Pollution degree	3	2	2
Rated voltage	320 V	800 V	800 V
Rated test voltage	4 kV	4 kV	4 kV
Approvals			
 V / A	300 / 16		
approval UL - File No.	E121004		
 1.5 mm ²	320 V / 4 kV / 13.5 A / 1.0 x 1.0 mm		
Material			
insulating material	PA66		
flammability class	V0		
contact pin material	CuFe		
contact pin surface	Ni + Ag		
Glow-Wire Flammability GWFI	960 °C acc. to IEC 60695-2-12		
Glow-Wire Flammability GWIT	775 °C acc. to IEC 60695-2-13		
REACH	compliant		
Climatic Data			
upper limit temperature	105 °C		
lower limit temperature	-40 °C		
general			
Tolerance	ISO 2768 -mH		
Solderability	Acc. to JEDEC JESD22-B102E 245°C/5s		

U | Contact

Data sheet
PT115xxHBBN Typ 330

Page 3/6

P/N
313301xx

xx=number of poles

2022/04/05

Version: U

Accessories

P/N	Designation
700024-01-9	Coding star white
700523-0157	Geh_Kappe_swg_Block



U | Contact

Data sheet PT115xxHBBN Typ 330

Page 4/6

P/N
313301xx

xx=number of poles

2022/04/05

Version: U

Counterpart of

P/N	Designation
313131	RP035xxHBLC Typ 313
313141	RP035xxHBLD Typ 314
31314103-08	RP035xxHBLD Typ 314
31314103-09	RP035xxHBLD Typ 314
313491	RP015xxVBLC Typ 349
313501	RP015xxSBLC Typ 350
ASP045	SP045xxVBNC ASP045
SP065XXVBNC	SP065xxVBNC
SP065XXVBPC	SP065xxVBPC
SP995XXVBNC	SP995xxVBNC

U | Contact

Data sheet
PT115xxHBBN Typ 330

Page 5/6

P/N
313301xx

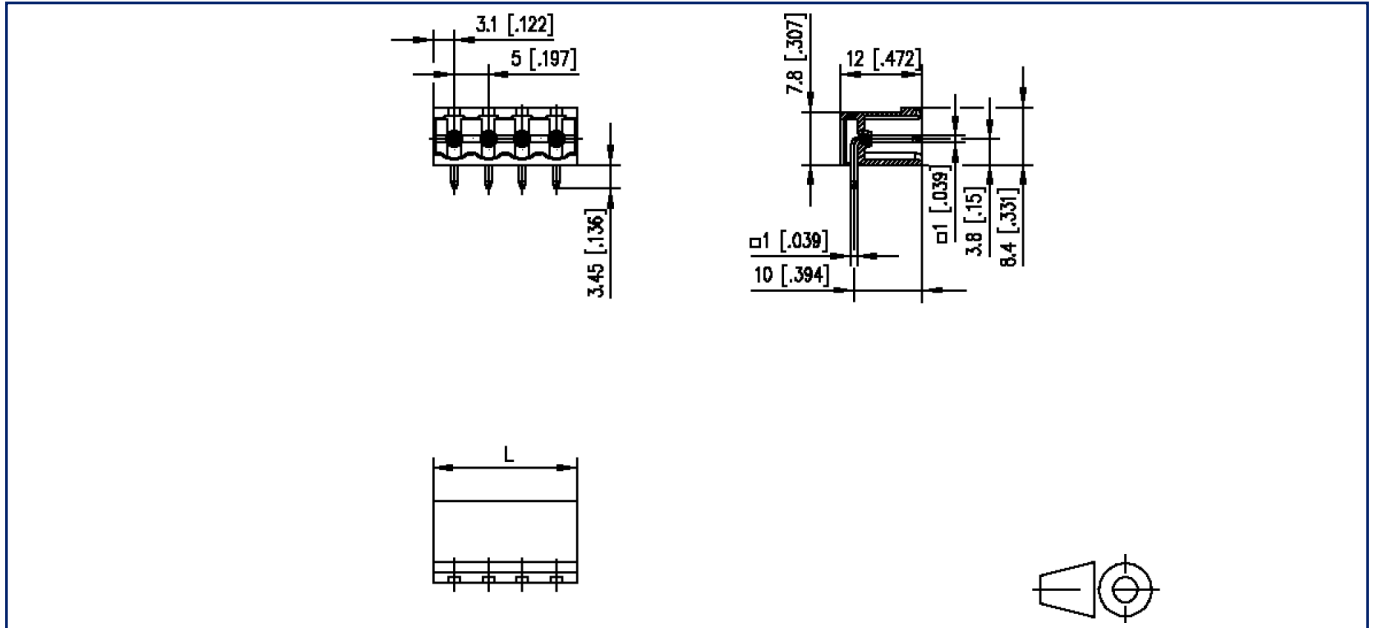
xx=number of poles

2022/04/05

Version: U

Illustrations

Dimensional drawing



$L = (\text{pole size} - 1) \times \text{centerline} + 6.2 \text{ mm} [0.244]$

Illustrations

Drill pattern

