

# Data sheet

## RP015xxVBLC Typ 349

Page 1/6

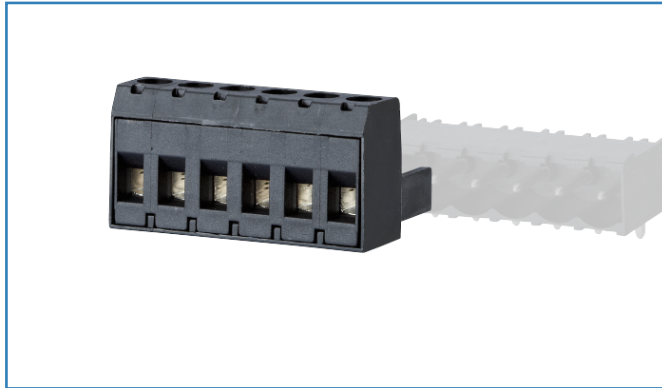
P/N  
313491xx

xx=number of poles

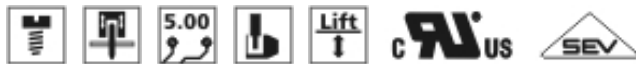
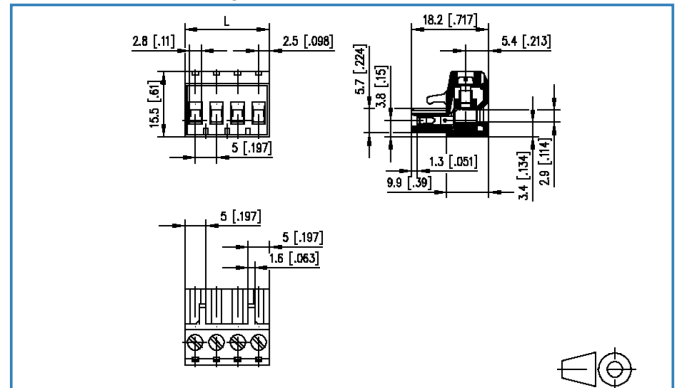
2019/10/29

Version: Q

### Illustrations



Dimensional drawing





See enlarged drawings at the end of document

### Product specification

- screw type terminal block, pluggable
- centerline 5.00 mm, direction of connection vertical 0°
- lift system, fittable without loss of poles
- color black
- wire entry codeable side perpendicular to plug direction

**Data sheet**  
**RP015xxVBLC Typ 349**

**Technical Data**

<b>General Data</b>			
Tightening torque SEV	0.5 Nm		
Tightening torque UL	4.5 lb-in		
min. number of poles	2		
max. number of poles	24		
Insulating material class	CTI 600		
clearance/creepage dist.	3.6 mm		
protection category	IP20		
Min. insul. strip length	8 mm		
Overvoltage category	III	III	II
Pollution degree	3	2	2
Rated voltage	160 V	400 V	400 V
Rated test voltage	2.5 kV	2.5 kV	2.5 kV
<b>Connection Data</b>			
rat.wiring solid AWGmax	0.08 mm <sup>2</sup> - 2.5 mm <sup>2</sup> / AWG 28 - AWG 12		
rat.wiring strand.AWGmax	0.08 mm <sup>2</sup> - 2.5 mm <sup>2</sup> / AWG 28 - AWG 12		
<b>Approvals</b>			
extended wiring UL	2 AWG 16-18, or 1 AWG 16 stranded with 1 AWG 18 solid, or 1 AWG 16 stranded with 1 AWG 18 stranded		
 V / A / AWG	300 / 16 / 28 - 12		
approval UL - File No.	E121004		
 2.5 mm <sup>2</sup>	320 V / 4 kV / 13.5 A		
<b>Material</b>			
insulating material	PA66		
flammability class	V0		
contact material	CuSn		
contact surface	Sn		
terminal body material	CuZn		
terminal body surface	Ni		
screw surface	Zn Cr(VI)-frei/free		
screw thread	M3		
Glow-Wire Flammability GWFI	960 °C acc. to IEC 60695-2-12		
Glow-Wire Flammability GWIT	775 °C acc. to IEC 60695-2-13		
REACH - substance (SVHC)	Lead / 7439-92-1		

## Technical Data

### Climatic Data

upper limit temperature	105 °C
lower limit temperature	-40 °C

### General

Tolerance	ISO 2768 -mH
-----------	--------------



## Data sheet RP015xxVBLC Typ 349

Page 4/6

P/N  
313491xx

xx=number of poles

2019/10/29

Version: Q

### Accessories

P/N	Designation
700025-01-9	700025

© 2019 METZ CONNECT - Technische Änderungen vorbehalten! Subject to modifications! Sous réserve de modifications techniques!



**Data sheet**  
**RP015xxVBLC Typ 349**

Page 5/6

P/N  
**313491xx****xx=number of poles**

2019/10/29

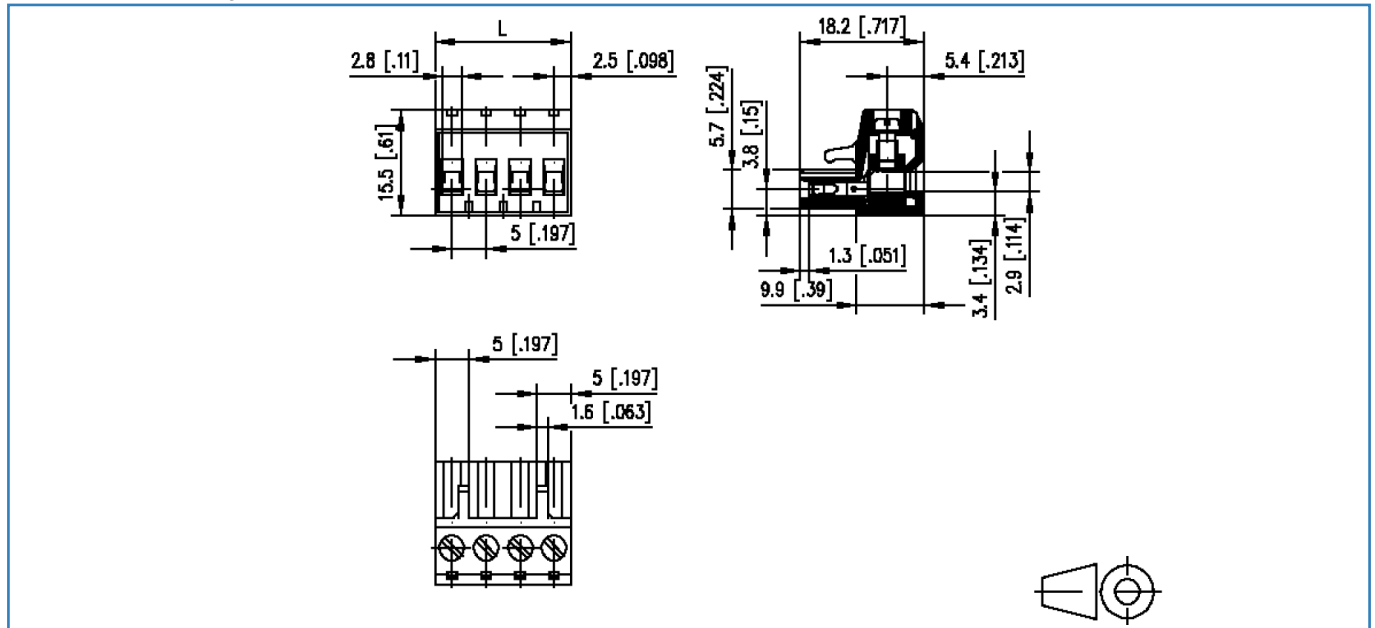
Version: Q

**Counterpart**

P/N	Designation
311761	PR065xxHBBN Typ 176
311771	PR065xxVBBN Typ 177
312701	PT175xxVGDN Typ 270
312741	PT165xxVGDN Typ 274
312761	PT165xxHGDN Typ 276
312781	PT105xxVGDN Typ 278
312801	PT105xxHGDN Typ 280
313191	PT115xxVBEC Typ 319
313201	PT115xxVBBN Typ 320
313291	PT115xxHBEC Typ 329
313301	PT115xxHBBN Typ 330
313371	PR075xxHBEL Typ 337
313381	PR075xxHBER Typ 338
314761	PR065xxHBEC Typ 476
314771	PR065xxVBEC Typ 477

**Illustrations**

Dimensional drawing



$L = (\text{pole size} - 1) \times \text{centerline} + 5 \text{ mm } [0.197]$

© 2019 METZ CONNECT - Technische Änderungen vorbehalten! Subject to modifications! Sous réserve de modifications techniques!