

U | Contact

Data sheet

PT094xxVBBF Type 393

Page 1/6

P/N
313931xx

xx=number of poles

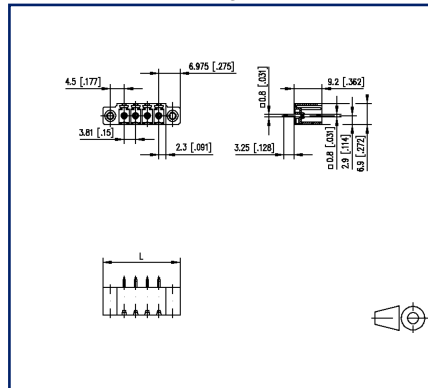
2023/06/28

Version: A

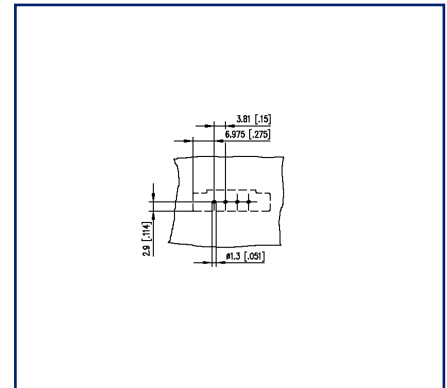
Illustrations



Dimensional drawing



Drill pattern



See enlarged drawings at the end of document

Product specification

- pin header, solderable
- centerline 3.81 mm, direction of connection vertical 0°
- closed ends
- color black, mounting flange
- codeable





Technical Data

General Data

| | | | |
|---------------------------|---------|-------|-------|
| Solder pin length | 3.25 mm | | |
| min. number of poles | 2 | | |
| max. number of poles | 24 | | |
| Insulating material class | CTI 600 | | |
| clearance/creepage dist. | 3.01 mm | | |
| Protection category | IP00 | | |
| Rated current | 9 A | | |
| Overvoltage category | III | III | II |
| Pollution degree | 3 | 2 | 2 |
| Rated voltage | 200 V | 500 V | 500 V |
| Rated test voltage | 4 kV | 4 kV | 4 kV |

Approvals

| | |
|---|-------------------------------------|
|  V / A | 300 / 8 |
| approval UL - File No. | E121004 |
|  1.5 mm ² | 160 V / 2.5 kV / 9 A / 0.8 x 0.8 mm |

Material

| | |
|-----------------------------|-------------------------------|
| insulating material | PA66 |
| flammability class | V0 |
| contact pin material | CuFe |
| contact pin surface | Ni + Sn |
| Thread insert | CuZnPb |
| Glow-Wire Flammability GWFI | 960 °C acc. to IEC 60695-2-12 |
| Glow-Wire Flammability GWIT | 775 °C acc. to IEC 60695-2-13 |

Climatic Data

| | |
|-------------------------|--------|
| upper limit temperature | 105 °C |
| lower limit temperature | -40 °C |

general

| | |
|---------------|-------------------------------------|
| Tolerance | ISO 2768 -mH |
| Solderability | Acc. to JEDEC JESD22-B102E 245°C/5s |

U | Contact

Data sheet

PT094xxVBBF Type 393

Page 3/6

P/N

313931xx

xx=number of poles

2023/06/28

Version: A

Accessories

| P/N | Designation |
|-------------|--|
| 720293-01-2 | Coding Star for pin header, centerline 3.81 mm |



U | Contact

Data sheet

PT094xxVBBF Type 393

Page 4/6

P/N

313931xx

xx=number of poles

2023/06/28

Version: A

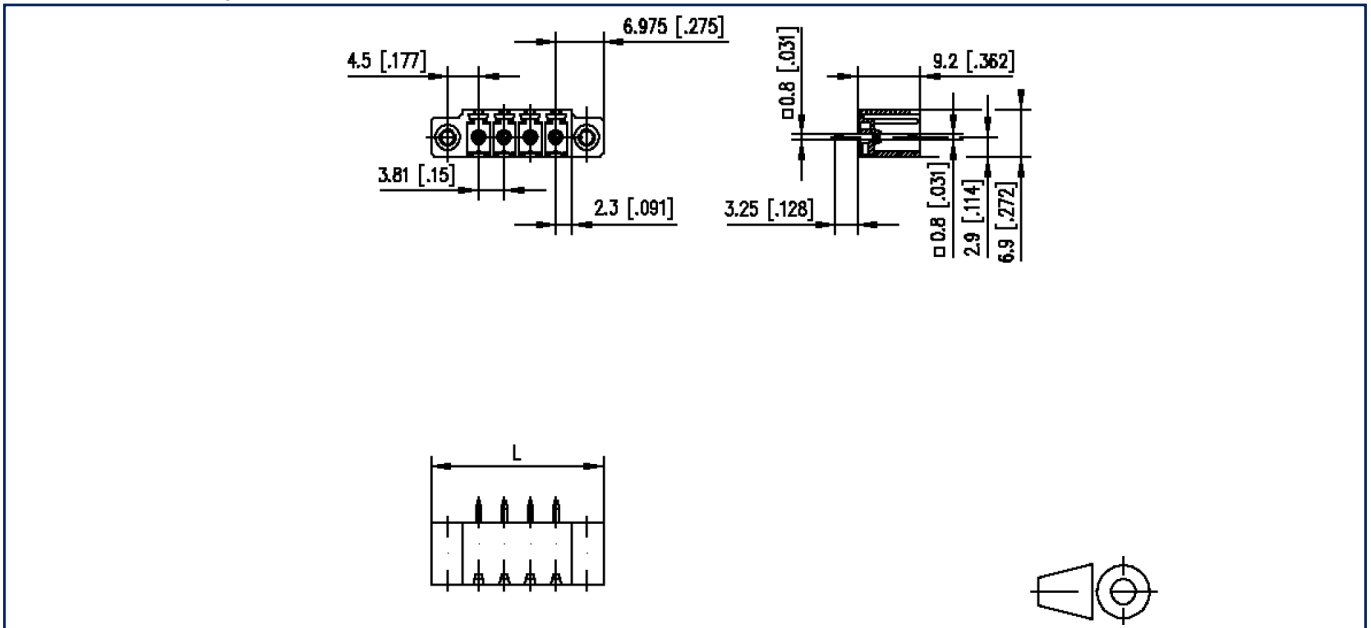
Counterpart of

| P/N | Designation |
|--------|----------------------|
| 313791 | RP034xxVBLF Type 379 |
| ASP084 | SP064xxVGNF ASP084 |



Illustrations

Dimensional drawing



$L = (\text{pole size} - 1) \times \text{centerline} + 13.95 \text{ mm} [0.549]$

Illustrations

Drill pattern

