

Data sheet

Type 360272

Page 1/3

P/N
360272

xx=number of poles

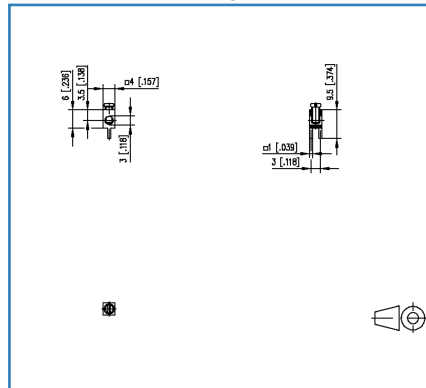
11/07/2018

Version: T

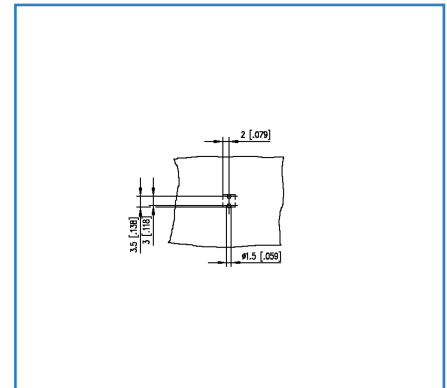
Illustrations



Dimensional drawing



Drill pattern



See enlarged drawings at the end of document

Product specification

- screw type terminal block, solderable, Doppell tstifte
- direction of connection 90°
- color metallike
- open construction, screw brought down by hand (transport safety)

Technical Data

General Data

Tightening torque SEV	0.5 Nm
Tightening torque UL	3.5 lb-in
Solder pin length	3.5 mm
min. number of poles	1
max. number of poles	1

Connection Data

rat.wiring solid AWGmax	0.13 mm ² - 2 mm ² / AWG 26 - AWG 14
rat.wiring strand.AWGmax	0.13 mm ² - 1.5 mm ² / AWG 26 - AWG 14

Approvals



/

15 A / 26 - 14

Material

REACH - substance (SVHC)	Lead / 7439-92-1
--------------------------	------------------

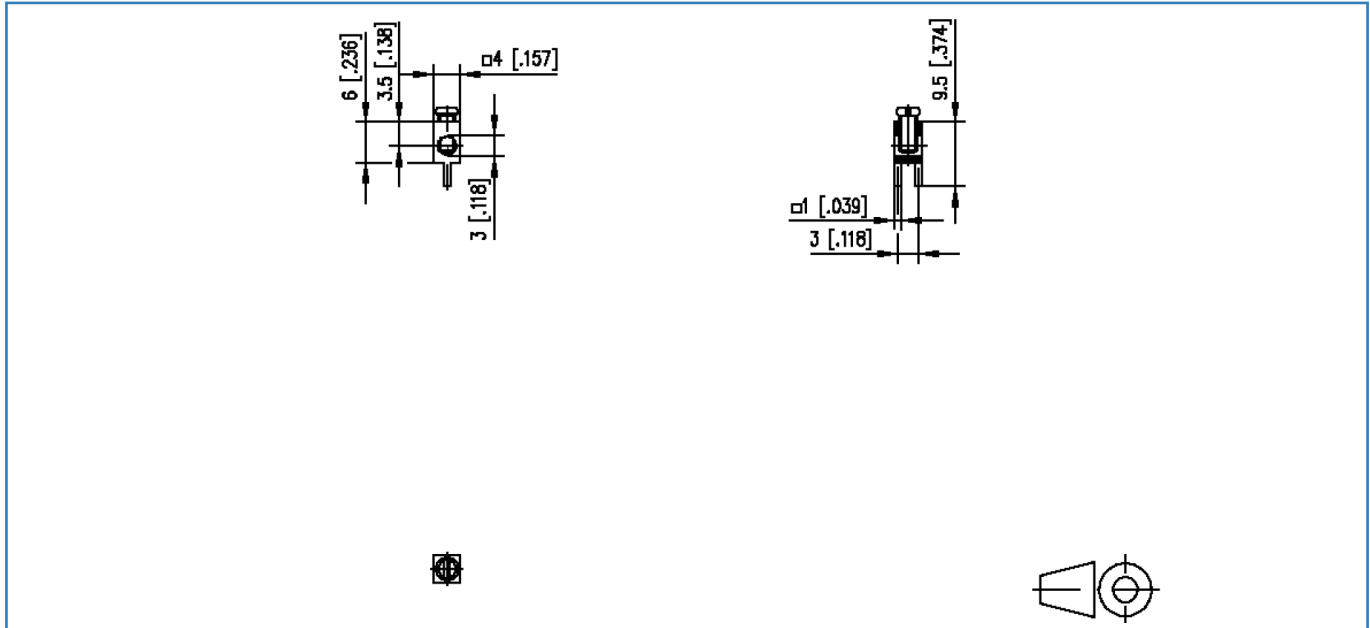
General

solderability	Acc. to JEDEC JESD22-B102E 245°C/5s
---------------	-------------------------------------

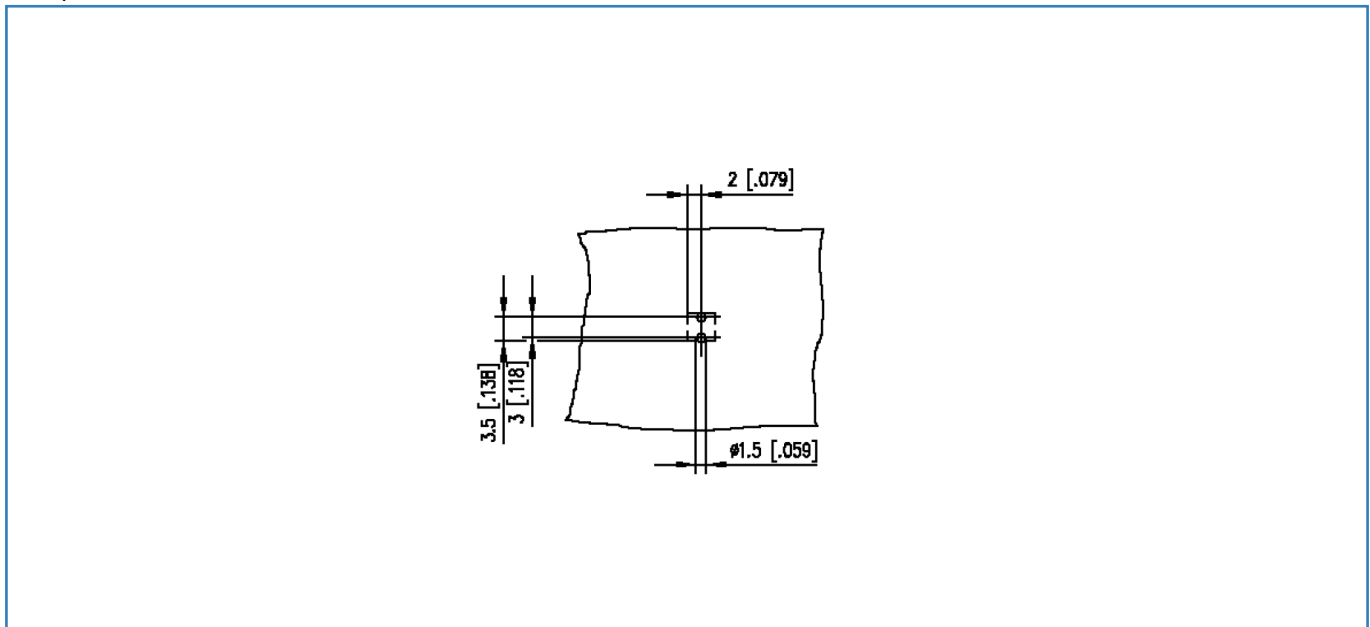


Illustrations

Dimensional drawing



Drill pattern



© 2018 METZ CONNECT - Technische Änderungen vorbehalten! Subject to modifications! Sous réserve de modifications techniques!