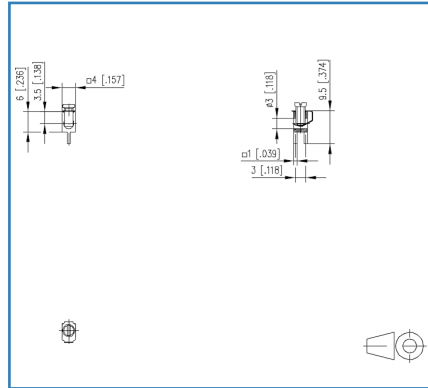


Data sheet
Type 360273

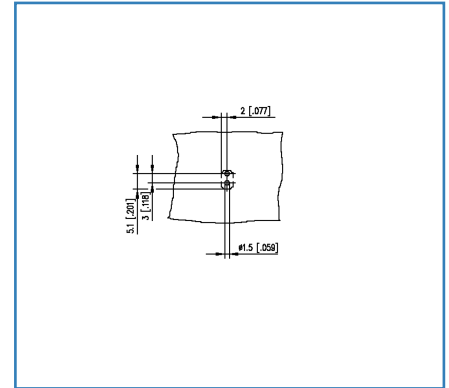
Illustrations



Dimensional drawing



Drill pattern




See enlarged drawings at the end of document

Product specification

- screw type terminal block, solderable, double solder pins
- direction of connection 90°
- wire protector
- color metallike
- open construction, screw brought down by hand (transport safety)

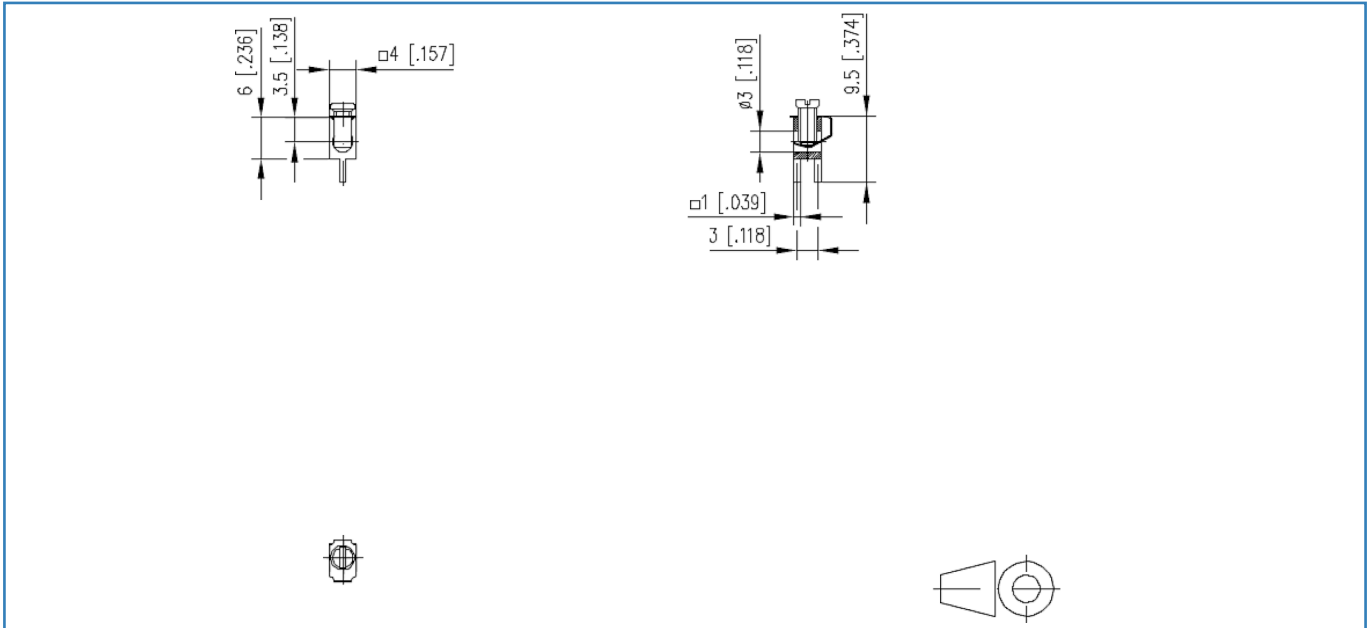
Technical Data

General Data	
Tightening torque SEV	0.5 Nm
Tightening torque UL	3.5 lb-in
Solder pin length	3.5 mm
Min. number of poles	1
Max. number of poles	1
Connection Data	
Rat.wiring solid AWGmax	0.13 mm ² - 2 mm ² / AWG 26 - AWG 14
Rat.wiring strand.AWGmax	0.13 mm ² - 1.5 mm ² / AWG 26 - AWG 14
Approvals	
 /	15 A / 26 - 14
approval UL - File No.	E130077
Material	
Terminal body material	CuZn
Terminal body surface	Ni + Sn
Screw surface	Zn Cr(VI)-frei/free
Wire protector material	CuSn
Wire protector surface	Sn
Screw thread	M2.6
REACH - substance (SVHC)	Lead / 7439-92-1
General	
Tolerance	ISO 2768 -mH
Solderability	Acc. to JEDEC JESD22-B102E 245°C/5s

© 2020 METZ CONNECT - Technische Änderungen vorbehalten! Subject to modifications! Sous réserve de modifications techniques!

Illustrations

Dimensional drawing



Drill pattern

