

Data sheet**M12 plug protection cap IP54**

Page 1/4

P/N
700669

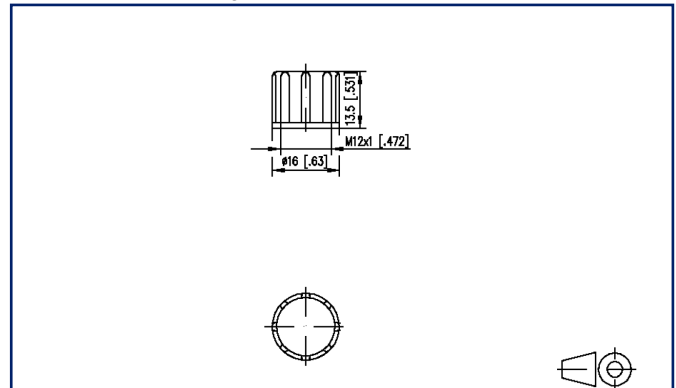
EAN 4250184169406

2021/10/06

Version: H

Illustrations

Dimensional drawing



See enlarged drawings at the end of document

Product specification

- Safety-cap M12x1
- for male connector
- screwable
- black, similar RAL9005



Technical Data

General Data

Design	Dust protection
Mounting style	Accessories
Color	black
Dimensions	
Dimension (L x W x H)	13.5 mm x 16 mm x 16 mm
Dimension (L x W x H)	0.531 in. x 0.63 in. x 0.63 in.

Mechanical data

Mounting method	screwable
-----------------	-----------

Materials and material properties

RoHS	compliant
------	-----------

Environmental conditions

Particulate ingress	IP5X
Liquid ingress/immersion	IPX4

Classifications

ETIM 6.0	EC000723
ETIM 7.0	EC000723
ETIM 8.0	EC000723

Packing details

Type of packaging	1 pc(s) / plastic bag
-------------------	-----------------------

M12 plug protection cap IP54

P/N

700669**EAN 4250184169406**

2021/10/06

Version: H

Accessories from

P/N	Designation
MNF881A115	M12 plug, D-coded, IP67 Cat. 5, field assembly, straight
MNF881A315	M12 Feldkonfektionierbarer Stecker gerade
MNF881A315-0001	M12 plug, X-coded, IP67 Cat. 6 _A , field assembly, straight
MNF881A315-DNV1	M12 field plug X-coded IP67, field assembly, straight DNV
MNF881A316-0003	M12 plug X-coded IP67, field assembly, straight, 0.8 μ AU



Illustrations

Dimensional drawing

