

**Data sheet****M12 screw plug for jacks IP54**

Page 1/4

P/N  
700701

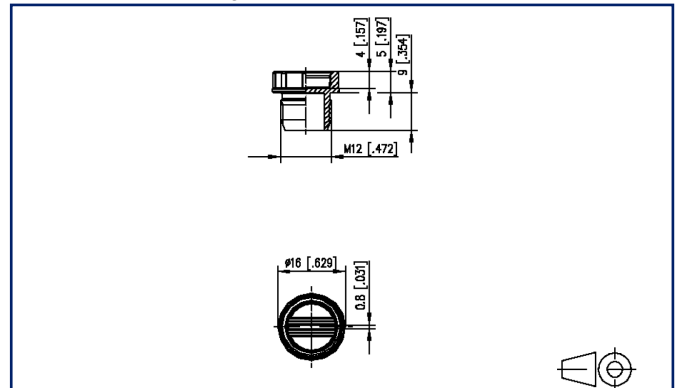
EAN 4250184169413

2021/10/06

Version: F

**Illustrations**

Dimensional drawing



See enlarged drawings at the end of document

**Product specification**

- Safety-stopper M12x1
- for female connector
- screwable
- black, similar RAL9005



**M12 screw plug for jacks IP54**

P/N

700701

EAN 4250184169413

2021/10/06

Version: F

**Technical Data****General Data**

Design	Dust protection
Mounting style	Accessories
Color	black
Dimensions	
Dimension (L x W x H)	14 mm x 16 mm x 16 mm
Dimension (L x W x H)	0.551 in. x 0.63 in. x 0.63 in.

**Mechanical data**

Mounting method	screwable
-----------------	-----------

**Materials and material properties**

RoHS	compliant
------	-----------

**Environmental conditions**

Particulate ingress	IP5X
Liquid ingress/immersion	IPX4

**Classifications**

ETIM 6.0	EC000723
ETIM 7.0	EC000723
ETIM 8.0	EC000723

**Packing details**

Type of packaging	1 pc(s) / plastic bag
-------------------	-----------------------



## M12 screw plug for jacks IP54

P/N

700701

EAN 4250184169413

2021/10/06

Version: F

### Accessories from

P/N	Designation
MMT361A315	PC board jack M12, X-coded, 8-pole, IP67
MMT361A315-0001	PC board jack M12, X-coded, 8-pole, IP67, in individual parts
MMT361A315-0009	PC board jack M12, X-coded, 8-pole, IP67, potted
MMT371A3B5	PC board jack M12, X-coded, 8-pole, IP67, rear mounting
MMT371A3B5-0001	PC board jack M12, X-coded, 8-pole, IP67, rear mounting, in individual parts
MMT371A3B5-0009	PC board jack M12, X-coded, 8-pole, IP67, rear mounting, potted
MMT471A115	PC board jack M12, D-coded, 4-pole, IP67, 90° angled,
MMT471A115-0001	PC board jack M12, D-coded, 4-pole, IP67, 90° angled,
MMT471A115-0002	PC board jack M12, D-coded, 4-pole, IP67, 90° angled,
MMT471A315	PC board jack M12, X-coded, 8-pole, IP67, 90° angled,
MMT471A315-0001	PC board jack M12, X-coded, 8-pole, IP67, 90° angled,
MMT471A315-0002	PC board jack M12, X-coded, 8-pole, IP67, 90° angled,
MMT471A315-0003	PC board jack M12, X-coded, 8-pole, IP67, 90° angled,
MMT471A315-0004	PC board jack M12, X-coded, 8-pole, IP67, 90° angled,
MMT471A315-0005	PC board jack M12, X-coded, 8-pole, IP67, 90° angled,
MMW360A1A1	PC board jack M12, D-coded, 4-pole, IP67, front mounting
MMW370A1A1	PC board jack M12, D-coded, 4-pole, IP67, through hole mounting
MWN811A415	Panel feed through adapters M12 X-coded to RJ45 for electrical cabinets - straight
MWN911A415	Panel feed through adapters M12 X-coded to RJ45 for electrical cabinets - angled

## Illustrations

### Dimensional drawing

