

Data sheet

SM01W01VXNN00G1 15-inch Reel solder pad/solder side

Page 1/5

P/N
ASM01W0164-0G16

xx=number of poles

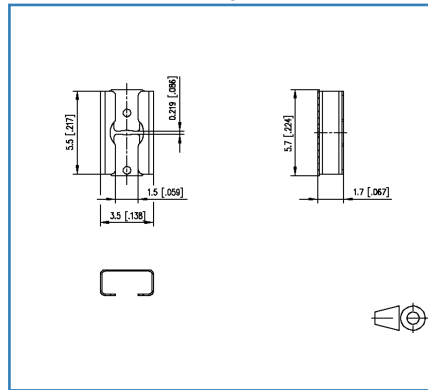
2020/10/20

Version: X

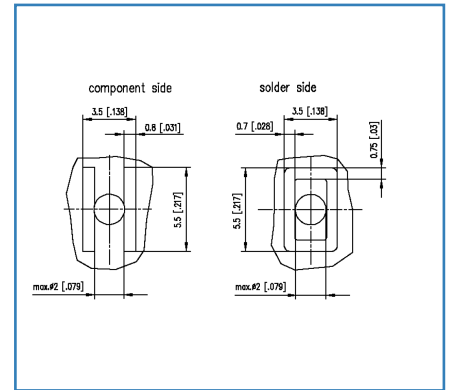
Illustrations



Dimensional drawing



Drill pattern



See enlarged drawings at the end of document

Product specification

- spring clamp terminal block, SMT solderable
- one-way contact
- direction of connection vertical 0°
- Tape & Reel packaging

SM01W01VXNN00G1 15-inch Reel solder pad/solder side

P/N
ASM01W0164-0G16
 xx=number of poles
 2020/10/20
 Version: X

Technical Data

General Data	
Min. number of poles	1
Max. number of poles	1
Protection category	IP00
Min. insul. strip length	4 mm
Rated current	13 A
Anschlussdaten	
Rat.wiring solid AWGmax	0.1 mm ² - 0.75 mm ² / AWG 26 - AWG 18
Material	
Contact material	CuBe
Contact surface	Ni + Sn
REACH - substance (SVHC)	none
Climatic Data	
Upper limit temperature	150 °C
Lower limit temperature	-40 °C
general	
Tolerance	ISO 2768 -mH
Solderability	Acc. to IPC/JEDEC J-STD-020D-MSL 1
Sicherheitshinweis	
Safety instructions	Components have to be fixed in a way to prevent any transmission of forces on to the contact. Components with more than one pin are recommended.

© 2020 METZ CONNECT - Technische Änderungen vorbehalten! Subject to modifications! Sous réserve de modifications techniques!

Data sheet

Page 3/5

SM01W01VXNN00G1 15-inch Reel solder pad/solder side

P/N
ASM01W0164-0G16
xx=number of poles
2020/10/20
Version: X

Counterpart

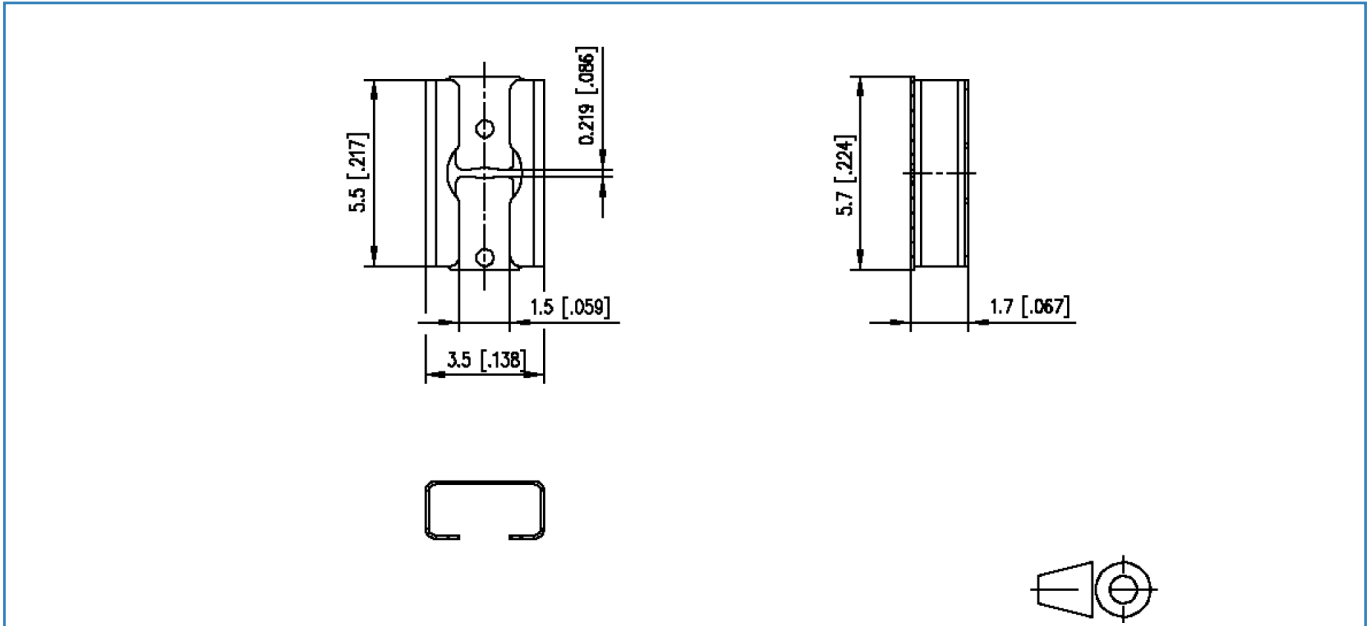
P/N	Designation
709023	Tape_ASM01Y_16mm K03547 Tape_ASM01Y_16mm

© 2020 METZ CONNECT - Technische Änderungen vorbehalten! Subject to modifications! Sous réserve de modifications techniques!

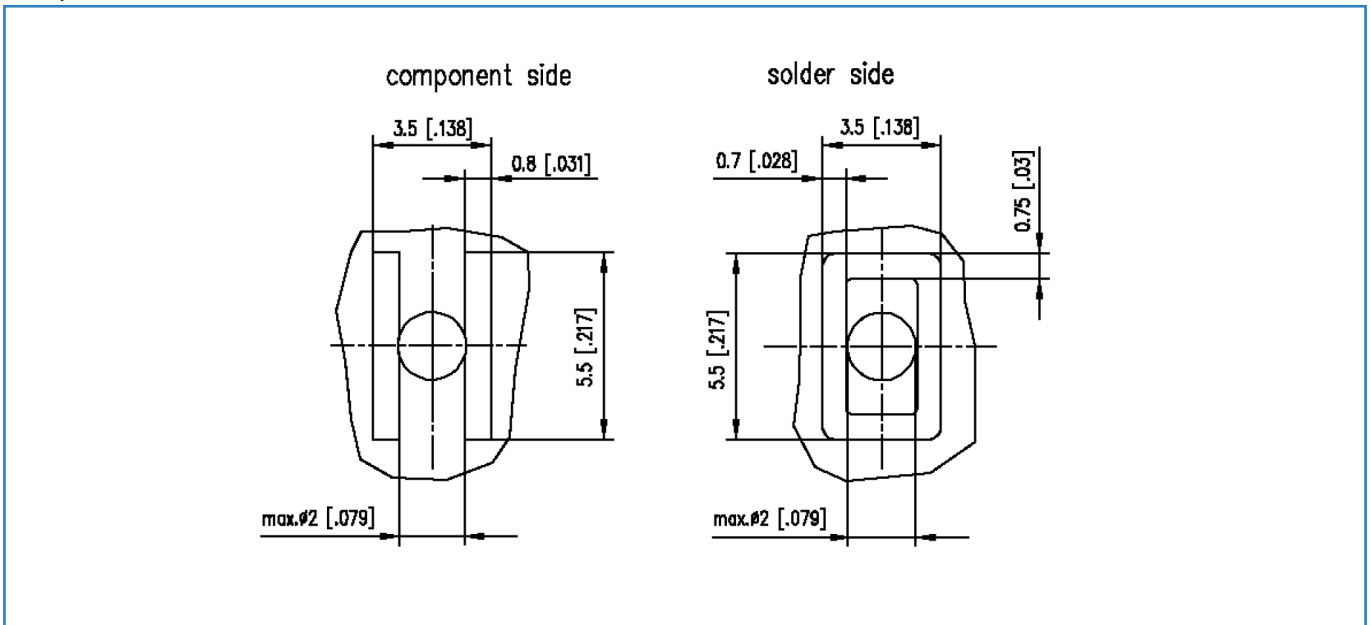


Illustrations

Dimensional drawing



Drill pattern



Illustrations

Application example

