

Data sheet

SM01W01VXNN04G1 13-inch Reel solder pad/solder side

Page 1/5

P/N
ASM01W0164-4G16

xx=number of poles

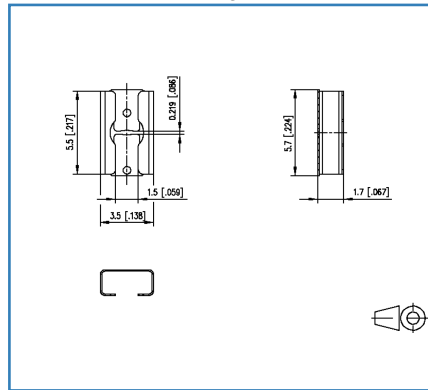
2020/10/20

Version: Q

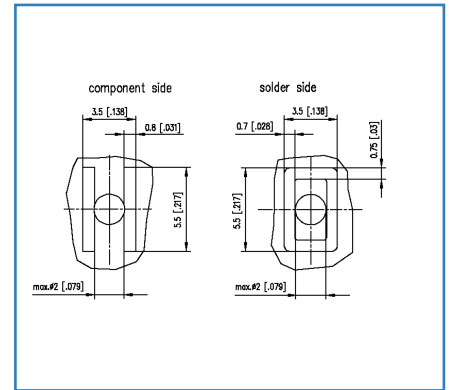
Illustrations



Dimensional drawing



Drill pattern



See enlarged drawings at the end of document

Product specification

- spring clamp terminal block, SMT solderable
- one-way contact
- direction of connection vertical 0°
- Tape & Reel packaging

SM01W01VXNN04G1 13-inch Reel solder pad/solder side

P/N
ASM01W0164-4G16
 xx=number of poles
 2020/10/20
 Version: Q

Technical Data

General Data

| | |
|--------------------------|------|
| Min. number of poles | 1 |
| Max. number of poles | 1 |
| Protection category | IP00 |
| Min. insul. strip length | 4 mm |
| Rated current | 13 A |

Anschlussdaten

| | |
|-------------------------|--|
| Rat.wiring solid AWGmax | 0.1 mm ² - 0.75 mm ² / AWG 26 - AWG 18 |
|-------------------------|--|

Material

| | |
|--------------------------|---------|
| Contact material | CuBe |
| Contact surface | Ni + Sn |
| REACH - substance (SVHC) | none |

Climatic Data

| | |
|-------------------------|--------|
| Upper limit temperature | 150 °C |
| Lower limit temperature | -40 °C |

general

| | |
|---------------|------------------------------------|
| Tolerance | ISO 2768 -mH |
| Solderability | Acc. to IPC/JEDEC J-STD-020D-MSL 1 |

Sicherheitshinweis

| | |
|---------------------|--|
| Safety instructions | Components have to be fixed in a way to prevent any transmission of forces on to the contact. Components with more than one pin are recommended. |
|---------------------|--|

Data sheet

Page 3/5

SM01W01VXNN04G1 13-inch Reel solder pad/solder side

P/N

ASM01W0164-4G16

xx=number of poles

2020/10/20

Version: Q

Counterpart

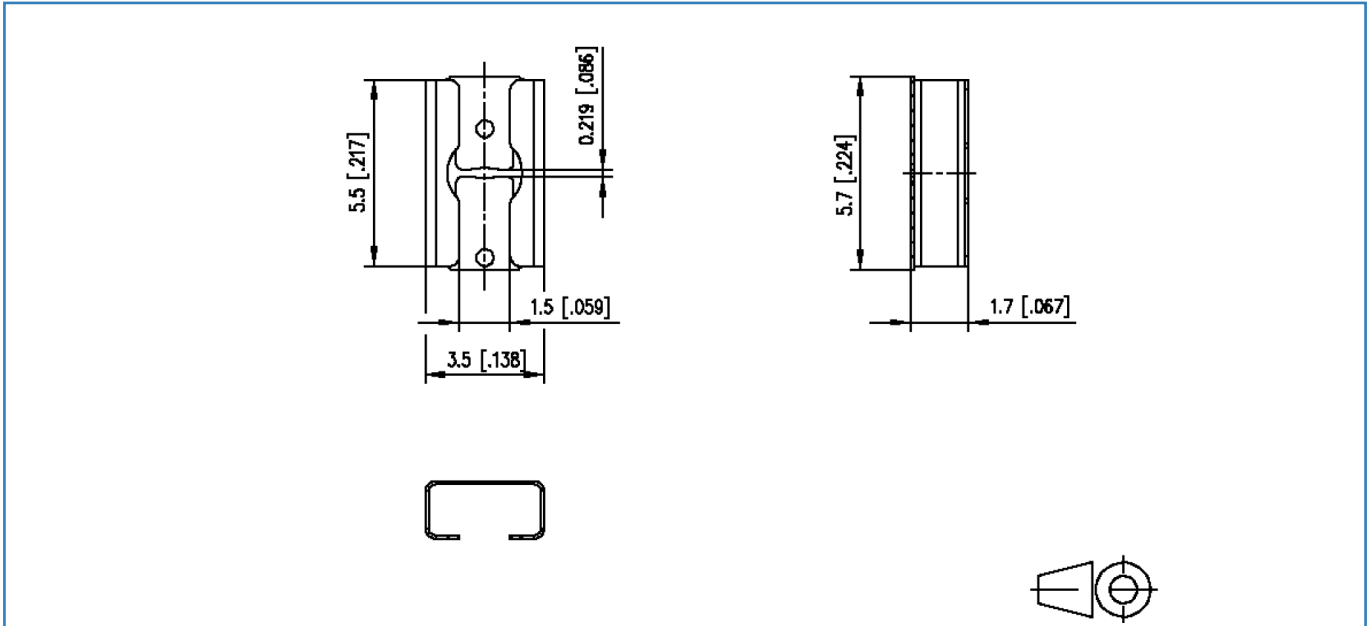
| P/N | Designation |
|--------|--|
| 709023 | Tape_ASM01Y_16mm K03547 Tape_ASM01Y_16mm |

© 2020 METZ CONNECT - Technische Änderungen vorbehalten! Subject to modifications! Sous réserve de modifications techniques!

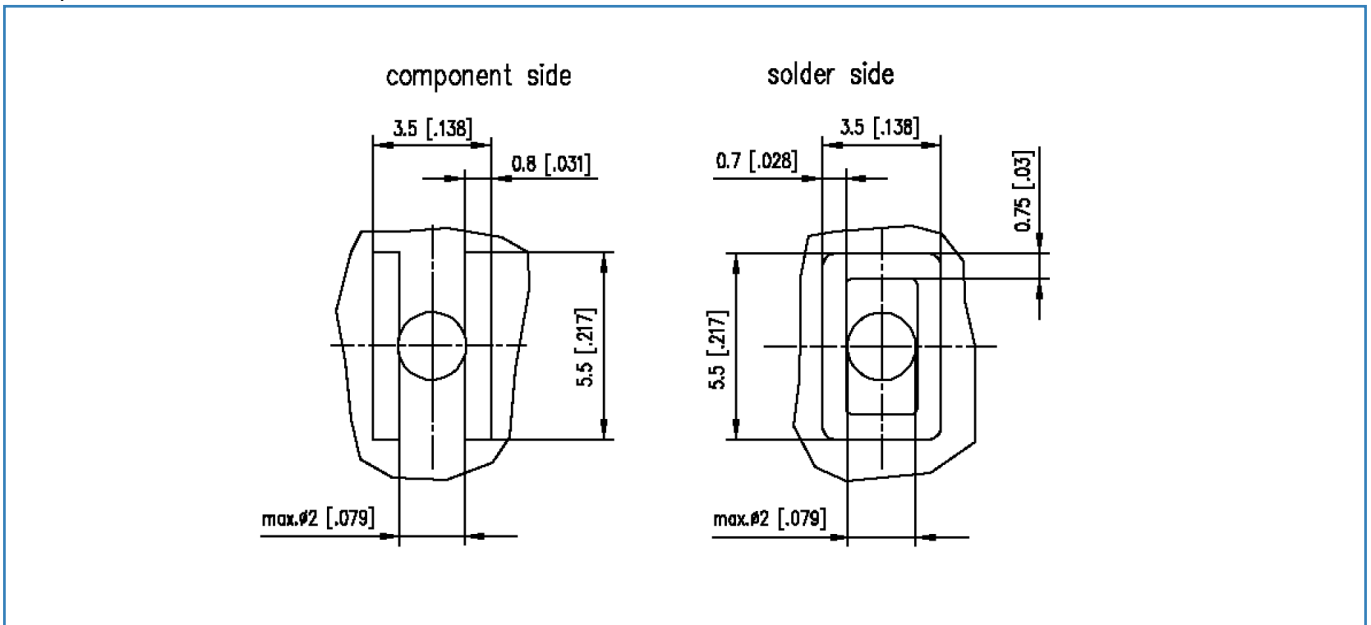


Illustrations

Dimensional drawing



Drill pattern



Illustrations

Application example

