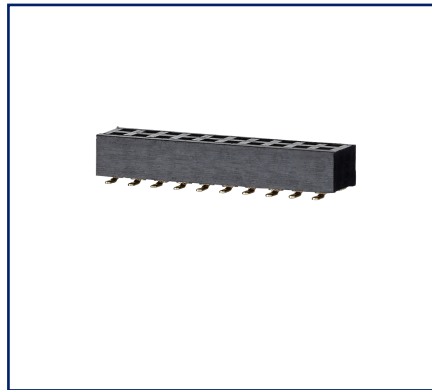
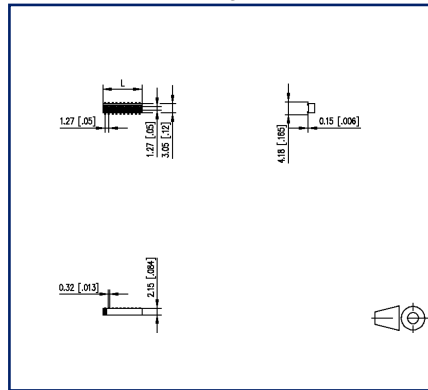


Data sheet
FM20BxxVBDN

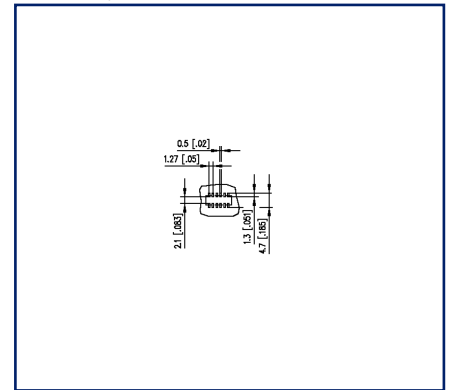
Illustrations



Dimensional drawing



PCB-Layout



See enlarged drawings at the end of document

Product specification

- female connector, SMT solderable
- centerline 1.27 mm, direction of connection vertical 0°
- closed ends
- color black
- Tape & Reel packaging possible
- dual rows

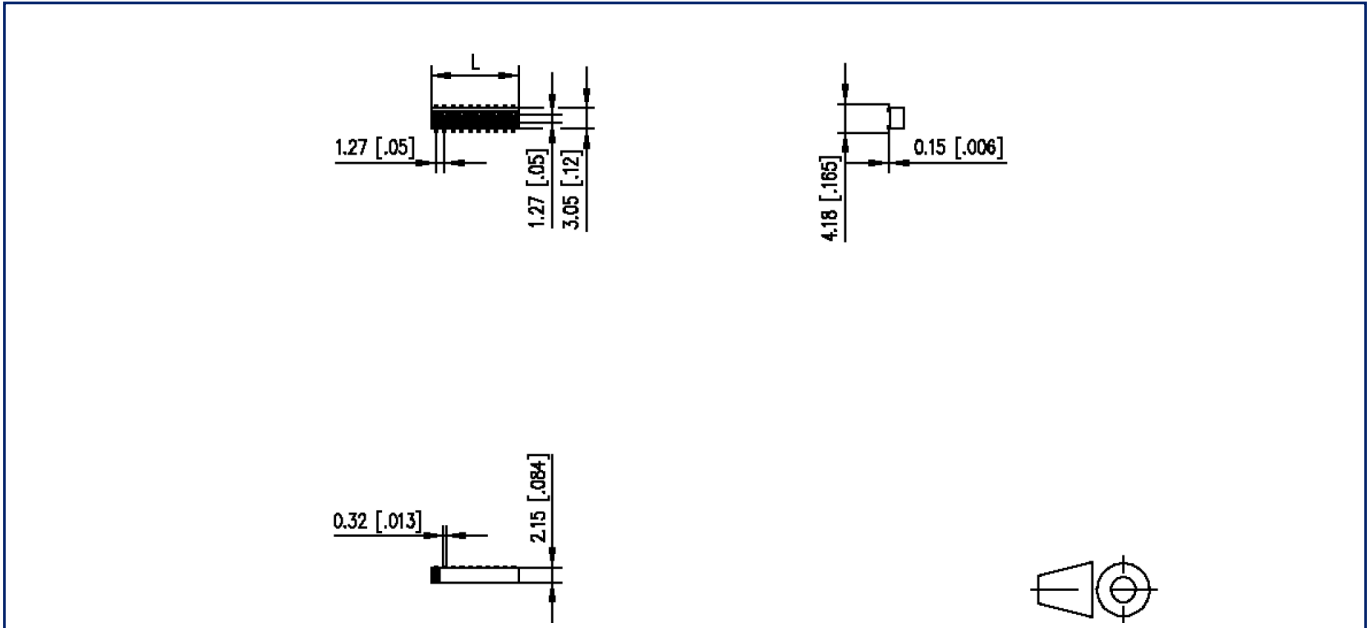
Technical Data

| General Data | |
|-----------------------------|------------------------------------|
| min. number of poles | 2 |
| max. number of poles | 40 |
| Protection category | IP00 |
| Rated current | 1 A |
| Material | |
| insulating material | PA6 |
| contact material | CuSn |
| Contact surface | Ni + Ag |
| contact pin material | CuSn |
| contact pin surface | Ni + Au Flash |
| Glow-Wire Flammability GWFI | - |
| Glow-Wire Flammability GWIT | - |
| REACH | compliant |
| Climatic Data | |
| upper limit temperature | 105 °C |
| lower limit temperature | -40 °C |
| general | |
| Tolerance | ISO 2768 -mH |
| Solderability | Acc. to IPC/JEDEC J-STD-020D-MSL 1 |

© 2022 METZ CONNECT - Technische Änderungen vorbehalten! Subject to modifications! Sous réserve de modifications techniques!

Illustrations

Dimensional drawing



$L = (\text{pole size} - 1) \times \text{centerline} + 1.73 \text{ mm} [0.068]$

Illustrations

PCB-Layout

