

Data sheet

PC board jack M12, A-coded, 4-pole,
IP67 in unmated condition, potted

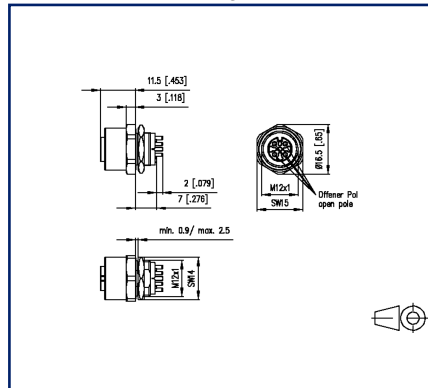
Page 1/4

P/N
MMT361A715-0009
EAN 4251394631967
2024/11/06
Version: P

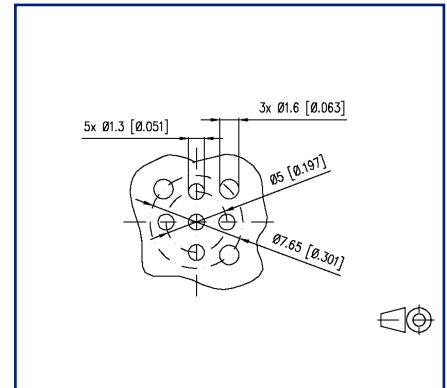
Illustrations



Dimensional drawing



Drill pattern



See enlarged drawings at the end of document

Product specification

- PC board jack M12
- Front wall mounting
- 4-pole, A-coded according to IEC 61076-2-101
- THR solderable
- Top entry
- Contact carriers black
- IP67 in unmated condition
- suitable for applications in the railway industry according to data sheet

**PC board jack M12, A-coded, 4-pole,
IP67 in unmated condition, potted**

P/N
MMT361A715-0009
EAN 4251394631967
2024/11/06
Version: P

Technical Data

General Data

| | |
|-------------------|------------------------------------|
| Dimensions | |
| Dimension (D x H) | Ø 16.5 mm x 20.5 mm |
| Dimension (D x H) | 0.65 in. x 0.807 in. |
| Ports | Single port |
| Solderability | Acc. to IPC/JEDEC J-STD-020E-MSL 1 |
| Coding | A-coded |

Electrical characteristics

| | |
|--|---------------|
| Rated voltage | 250 V |
| Effective value of the withstand voltage | 1.4 kV |
| Current carrying capacity at 40 °C | 4 A |
| Insulation resistance | min. 100 MOhm |
| Overvoltage category | II |
| Degree of pollution | 2 |

Mechanical data

| | |
|-----------------------------------|-----------------|
| Material | |
| Material - Housing | CuZnPb |
| Material - Contact | CuZnPb |
| Contact surface | Ni + Au |
| Material - Insulating body | LCP UL94 V0 |
| Color | black |
| RoHS | compliant |
| Life - Number of mating cycles | >= 100 |
| Tightening torque - Plug | 0,6 - 1 Nm |
| Tightening torque - Jack mounting | 3 Nm +/- 0,5 Nm |
| Protection category | IP 67 |

Climatic properties

| | |
|----------------------------|-----------------|
| Temperature - Operating °C | -25 °C - 85 °C |
| Temperature - Operating °F | -13 °F - 185 °F |

**PC board jack M12, A-coded, 4-pole,
IP67 in unmated condition, potted**

P/N
MMT361A715-0009
EAN 4251394631967
2024/11/06
Version: P

Technical Data**Packaging**

Type of packaging 10 pc(s) / blister packaging

Standards/Regulations

Railway applications

| | |
|--|--|
| Electronic equipment used on rolling stock | following to DIN EN 50155 |
| Fire protection on railway vehicles | following to DIN EN 45545-2 |
| Contact holder | Thermoplastic |
| Sealings | Elastomer |
| Shock and vibration | DIN EN 50155:2018-05, DIN EN 61373:2011-04 Class 1 Category B |
| Salt spray | DIN EN 50155:2018-05, (DIN EN 60068-2-11:2000-02/ 48h test KA) |

Classifications

| | |
|----------|----------|
| ETIM 7.0 | EC002637 |
| ETIM 8.0 | EC002637 |

Application note

This product is a standard product of METZ CONNECT. METZ CONNECT is not aware of the specific intended use of the goods by the Customer or any customers of the Customer. The Customer guarantees that it has fully and sufficiently tested the use of the goods and any product modifications, product changes or product enhancements with regard to the specific intended use in accordance with the state of the art or in any other way. At METZ CONNECT's request, the Customer shall submit and make available meaningful evidence (e.g. test and laboratory protocols, certifications, etc.).

U | Contact

Data sheet

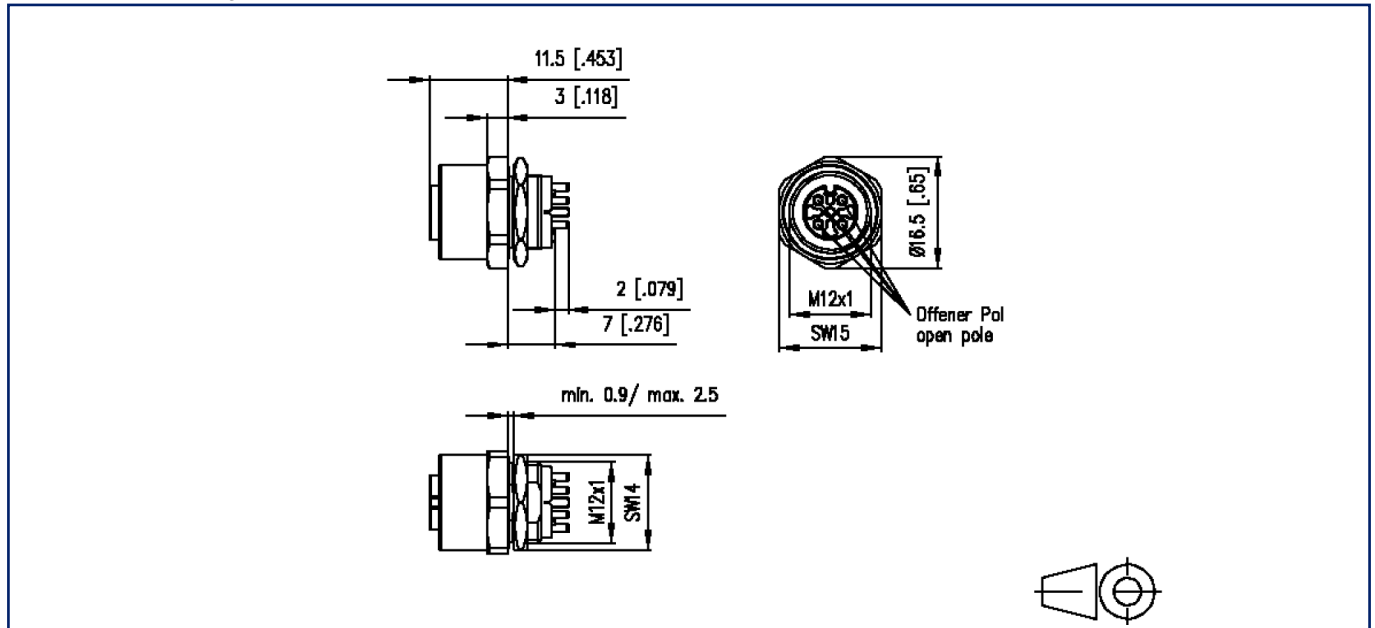
**PC board jack M12, A-coded, 4-pole,
IP67 in unmated condition, potted**

Page 4/4

P/N
MMT361A715-0009
EAN 4251394631967
2024/11/06
Version: P

Illustrations

Dimensional drawing



Drill pattern

