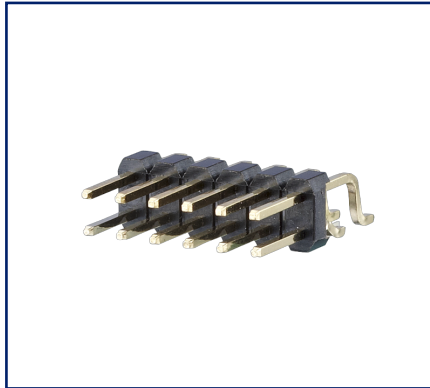
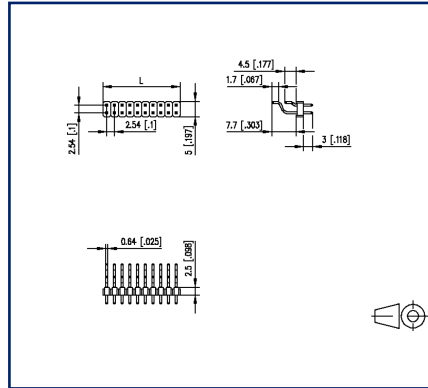


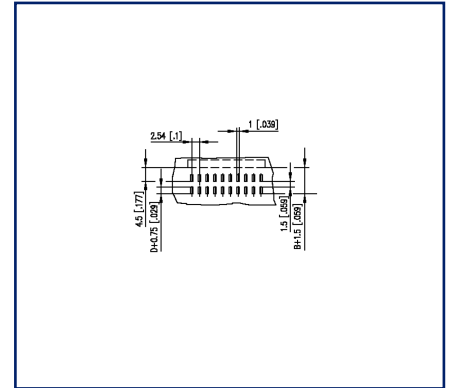
## Illustrations



Dimensional drawing



PCB-Layout



See enlarged drawings at the end of document

## Product specification

- pin header, SMT solderable
- centerline 2.54 mm, direction of connection 90°
- color black
- Tape & Reel packaging possible
- dual rows

## Technical Data

### General Data

min. number of poles	2
max. number of poles	40
Rated current	3 A

### Material

insulating material	PE-HT
contact material	CuZnPb
Contact surface	Ni + Au
contact pin material	CuZn
contact pin surface	Ni + Au Flash
Glow-Wire Flammability GWFI	-
Glow-Wire Flammability GWIT	-
REACH	compliant

### Climatic Data

upper limit temperature	105 °C
lower limit temperature	-40 °C

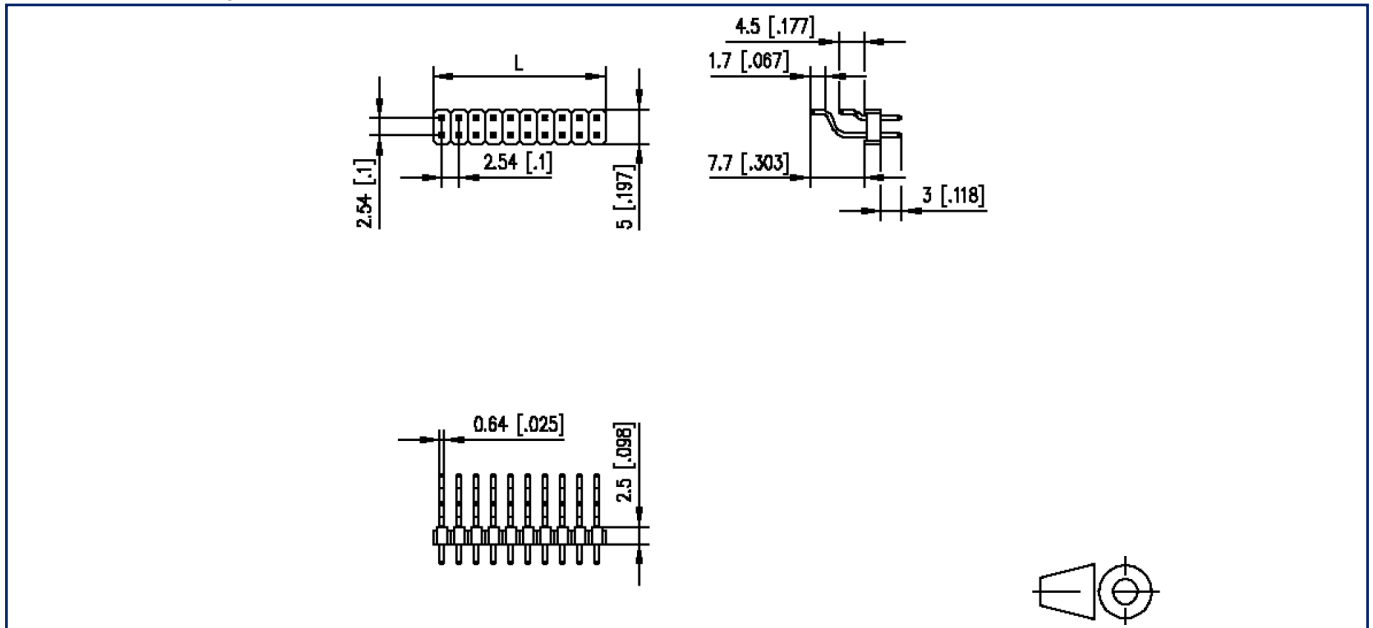
### general

Tolerance	ISO 2768 -mH
Solderability	Acc. to IPC/JEDEC J-STD-020D-MSL 1



**Illustrations**

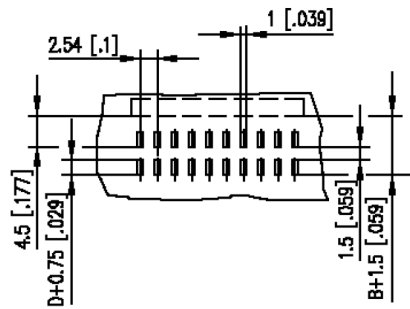
Dimensional drawing



$L = (\text{pole size} - 1) \times \text{centerline} + 2.54 \text{ mm [0.1]}$

**Illustrations**

PCB-Layout



© 2022 METZ CONNECT - Technische Änderungen vorbehalten! Subject to modifications! Sous réserve de modifications techniques!

