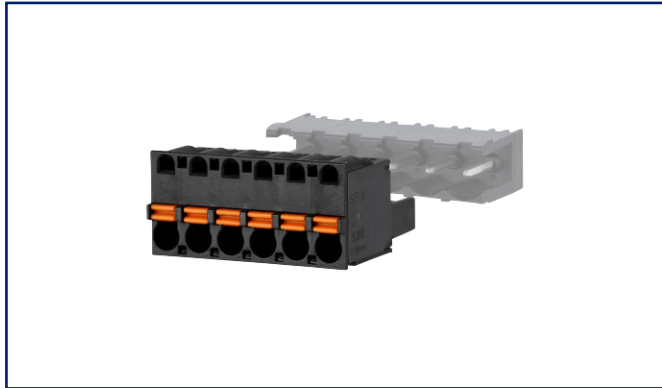
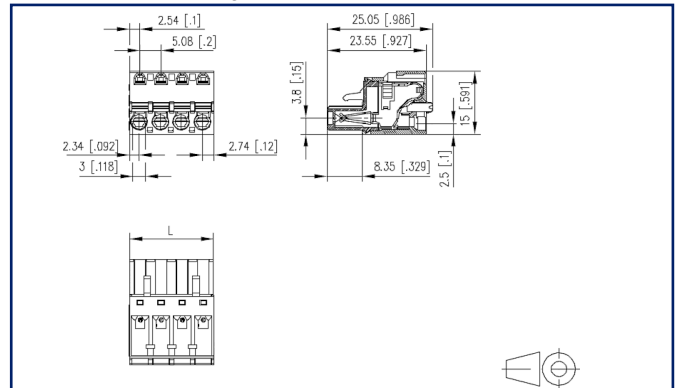


Illustrations



Dimensional drawing



See enlarged drawings at the end of document

Product specification

- spring clamp terminal block, pluggable
- centerline 5.08 mm, direction of connection vertical 0°
- fittable without loss of poles
- color black
- push-button, wire entry uncodeable side parallel to plug direction



Technical Data


General Data

min. number of poles	2		
max. number of poles	24		
Insulating material class	CTI 600		
clearance/creepage dist.	3.58 mm		
Protection category	IP20		
Min. insul. strip length	10 mm		
Rated current	12 A		
Overvoltage category	III	III	II
Pollution degree	3	2	2
Rated voltage	250 V	630 V	630 V
Rated test voltage	4 kV	4 kV	4 kV

Terminal data

rat.wiring solid AWGmax	0.08 mm ² - 2.5 mm ² / AWG 28 - AWG 12		
rat.wiring strand.AWGmax	0.08 mm ² - 2.5 mm ² / AWG 28 - AWG 12		

Approvals

 V / A / AWG	300 / 12 / 28 - 12		
approval UL - File No.	E121004		
2.5 mm ²	250 V / 1 kV / 12 A		

Material

insulating material	PA66
flammability class	V0
spring material	Spring steel
contact material	CuSn
Contact surface	Sn
Glow-Wire Flammability GWFI	960 °C acc. to IEC 60695-2-12
Glow-Wire Flammability GWIT	775 °C acc. to IEC 60695-2-13
Ball pressure test	125 °C acc. to IEC 60695-10-2
REACH	compliant

Climatic Data

upper limit temperature	105 °C
lower limit temperature	-40 °C

general

Tolerance	ISO 2768 -mH
-----------	--------------

U | Contact

Data sheet
SP066xxVBNC

Page 3/5

P/N
SP066XXVBNC
xx=number of poles
2022/12/20
Version: D

Accessories

P/N	Designation
700025-01-5	Kodierstern blau mit 6 Kodierstiften F_Kodier_blp
700025-01-9	Coding star white with a group of 6 coding pins
840020-02	Drahtbrücke 0.8 RM 5.0 Drahtbrücke 0.8 RM 5.0

U | Contact

Data sheet
SP066xxVBNC

Page 4/5

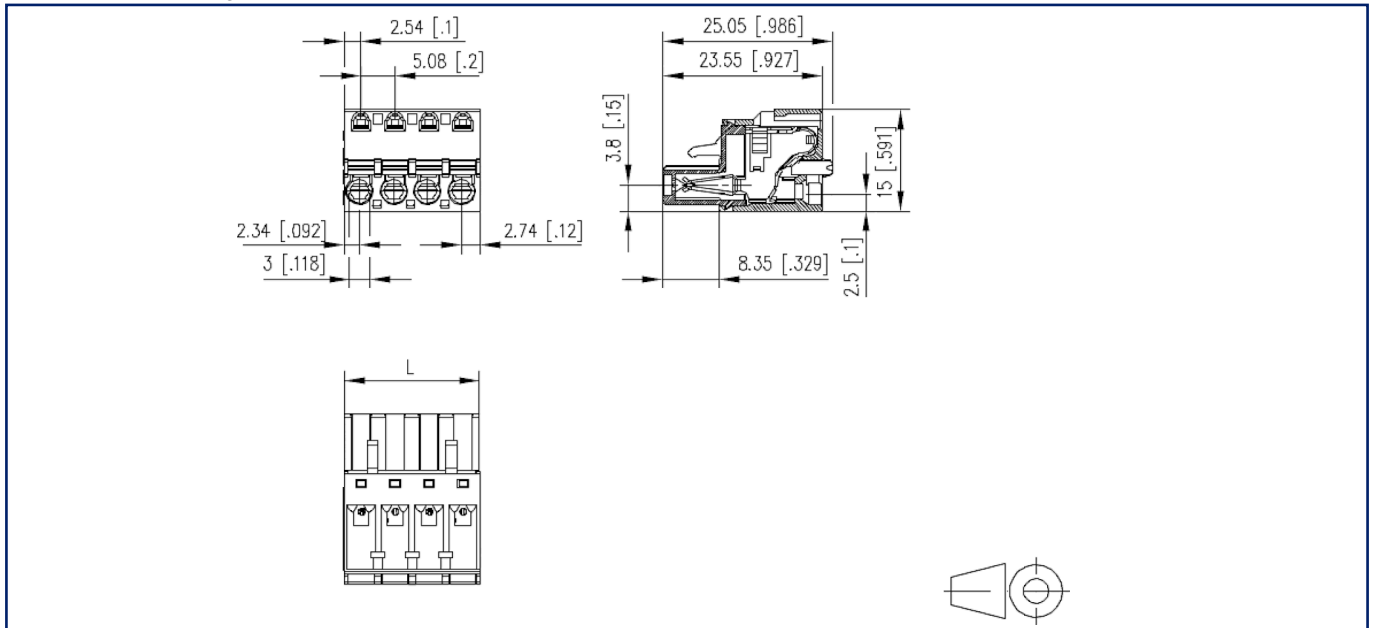
P/N
SP066XXVBNC
xx=number of poles
2022/12/20
Version: D

Counterpart

P/N	Designation
311781	PR066xxHBBN Type 178
311791	PR066xxVBBN Type 179
312191	PT116xxVBEC Type 219
312201	PT116xxVBBN Type 220
314781	PR066xxHBEC Type 478
314791	PR066xxVBEC Type 479

Illustrations

Dimensional drawing



$L = (\text{pole size} - 1) \times \text{centerline} + 5.08 \text{ mm [0.2]}$