

Data sheet

E-DAT C6 2 port AP pure white

Page 1/10

P/N

1307380002-I

EAN 4250184102601

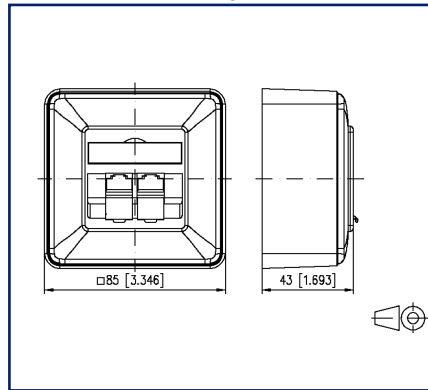
2024/11/26

Version: AL

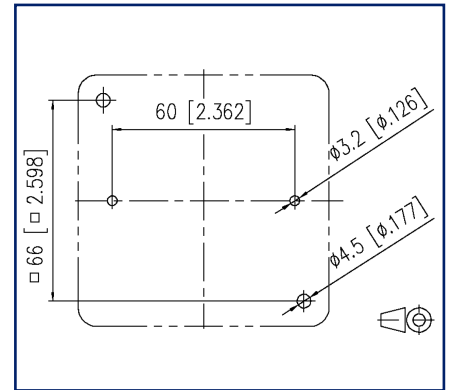
Illustrations



Dimensional drawing



Drill pattern



See enlarged drawings at the end of document

Product specification

Compact wall outlet for the construction of a passive network infrastructure with the highest quality requirements. The junction box is suitable for connecting telephones up to 10 Gbit networks and power supply with PoE with up to 90W. The installer can connect the very robust zinc die-cast wall outlet very easily and in the shortest possible time with an LSA installation tool without errors. In addition to the permanent quality control during production, independent test laboratories confirm the very good quality with various certificates. The wall outlets are supplied in retail-friendly, separable cardboard packaging with 10 pieces each.

- variants, mounting type: AP, UP, UPk, UP0
- variants, number of ports: 1, 2

P | Cabling

Data sheet E-DAT C6 2 port AP pure white

Page 2/10

P/N
1307380002-I
EAN 4250184102601
2024/11/26
Version: AL

Technical Data

General Data

| | |
|---|--|
| Fields of application | structured building cabling office areas Distributed building services |
| Mechanical measurement according to MICE | M1 |
| Ingress measurement according to MICE | I1 |
| Climatic measurement according to MICE | C1 |
| Electromagnetic measurement according to MICE | E2 |
| Design | wall outlet |
| Mounting style | AP |
| Mounting in standard flush-mounted and cavity wall cups | on mug |
| Shielding | shielded |
| Transmission technology | Copper |
| Wiring | T568A, T568B |
| Color | pure white - RAL 9010 |
| Dimensions | |
| Dimension (L x W x H) | 43 mm x 85 mm x 85 mm |
| Dimension (L x W x H) | 1.693 in. x 3.346 in. x 3.346 in. |
| Labeling option | label window with identification label |
| Marking option | by dust protection |

Transmission characteristics

| | |
|--|-----------------------------|
| Category (ISO) | 6 |
| Class (ISO/IEC) | E _A Channel Link |
| Category (TIA) | 6 |
| Remote Powering | yes |
| PoE | IEEE 802.3af |
| PoE plus | IEEE 802.3at |
| UPoE | yes |
| 4PPoE | IEEE 802.3bt |
| HDBaseT | yes |
| SAT-IP | yes |
| AVoverIP | yes |
| Transmission rate up to 100 MBit (Fast Ethernet) | IEEE 802.3bw |

P | Cabling

Data sheet

Page 3/10

E-DAT C6 2 port AP pure white

P/N

1307380002-I

EAN 4250184102601

2024/11/26

Version: AL

Technical Data

Transmission characteristics

| | |
|--|--------------|
| Transmission rate up to 1 GBit (Fast Ethernet) | IEEE 902.3ab |
| Transmission rate up to 10 GBit | IEEE 802.3an |

Connections/interfaces

| | |
|--|---|
| Connector technology interface 1 | LSA terminal block |
| Connector technology interface 2 | RJ45-jack |
| Number of ports interface 2 | 2 |
| Number of positions/contacts interface 1 | 2 x 8 |
| Number of positions/contacts interface 2 | 2 x 8P/8C |
| Number of ports with dust protection interface 2 | 2 |
| Termination data, solid wire (min. - max.) | |
| Conductor cross section, solid wire | AWG 26/1 - AWG 22/1 |
| Conductor cross section, solid wire | 0.128 mm ² - 0.324 mm ² |
| Conductor diameter, solid wire (bare copper) | 0.409 mm - 0.643 mm |
| Conductor diameter, solid wire (bare copper) | 0.016 in. - 0.025 in. |
| Cable sheath diameter (min. - max.) | |
| Cable sheath diameter | 5.5 mm - 10 |
| Cable sheath diameter | 0.197 in. - 0.394 |
| Module plug-in direction | 45° downwards |
| Cable access/outlet | rear, top, bottom, left or right |
| Ground connection | 6.3 mm flat plug |
| Shield connection | flexible contact spring |

Electrical/ optical properties

| | |
|---|-------------------|
| Current carrying capacity | max. 1 A at 60 °C |
| Rated voltage | max. 60 V DC |
| Contact resistance | max. 20 mOhm |
| Through resistance | max. 200 mOhm |
| Insulation resistance | min. 500 MOhm |
| Dielectric strength conductor-conductor (secondary) | max. 1000 V DC |
| Dielectric strength conductor-conductor, peak value (secondary) | max. 1.000 V AC |
| Dielectric strength conductor-shield | max. 1500 V DC |
| Dielectric strength conductor-shield, peak value | max. 1500 V AC |

P | Cabling

Data sheet

Page 4/10

E-DAT C6 2 port AP pure white

P/N

1307380002-I

EAN 4250184102601

2024/11/26

Version: AL

Technical Data

Mechanical data

| | |
|--|--------------|
| Insertion and withdrawal force | max. 30 N |
| Life - Number of mating cycles | min. 750 |
| Position/mounting of latch standard installation position | top |
| strain relief | housing flap |

Materials and material properties

| | |
|--------------------------------|-----------------------|
| Material - Housing | Plastics |
| Material - Surface mount frame | ABS, impact resistant |
| Material - Cover part(s) | ABS |
| Material - Supporting frame | GD-Zn |
| Material - Label window | ABS, transparent |
| Material - Dust protection | ABS |
| Material - Contact | Hyper Ph-Br |
| Material - Contact finish | AuCo |
| Material - Shield | CuSn6 |
| Material - Shield finish | tinned |
| Halogen free | yes |
| RoHS | compliant |

Environmental conditions

| | |
|----------------------------|-----------------|
| Temperature (min. - max.) | |
| Temperature - Storage °C | -40 °C - 70 °C |
| Temperature - Storage °F | -40 °F - 158 °F |
| Temperature - Operating °C | -40 °C - 70 °C |
| Temperature - Operating °F | -40 °F - 158 °F |
| IP class | IP20 |

P | Cabling

Data sheet

Page 5/10

E-DAT C6 2 port AP pure white

P/N

1307380002-I

EAN 4250184102601

2024/11/26

Version: AL

Technical Data

Certifications

GHMT Type Approval



Component

Standards/Regulations

Generic cabling systems

General requirements

ISO/IEC 11801-1:2017-11 | DIN EN 50173-1:2018-10
ANSI/TIA-568.2-D

Office buildings

ISO/IEC 11801-2:2017-11 | DIN EN 50173-2:2018-10
ANSI/TIA-568.2-D

Living units

ISO/IEC 11801-4:2017-11 | DIN EN 50173-4:2018-10
ANSI/TIA-570-D

Distributed building services

ISO/IEC 11801-6:2017-11 | DIN EN 50173-6:2018-10
ANSI/TIA-862-B

Connectors for electronic equipment

Free and fixed connectors

DIN EN 60603-7-5:2011-03, DIN EN 60603-7:2019-11, DIN EN
60603-7-1:2012-01

Connectors for electronic equipment - Tests and measurements

Test standard for connectors (engaging and
separating connectors under electrical load)

DIN-EN 60512-99-001, DIN-EN 60512-99-002

Endurance tests

DIN EN 60603-7:2019-11, DIN EN 60603-7-1:2012-01

Degrees of Protection Provided by Enclosures

IEC 60529

Climate tests

DIN EN 60603-7:2019-11, DIN EN 60603-7-1:2012-01

Classifications

ETIM 7.0

EC001264

ETIM 8.0

EC001264

ETIM 9.0

EC001264

Packing details

Type of packaging

10 pc(s) / box

Packaging unit - Weight (gram)

2097 g

Packaging unit - Weight (pound)

4.62 lb

Packaging dimension

273 mm x 173 mm x 89 mm

Packaging dimension

10.748 in. x 6.811 in. x 3.504 in.

P | Cabling

Data sheet

Page 6/10

E-DAT C6 2 port AP pure white

P/N

1307380002-I

EAN 4250184102601

2024/11/26

Version: AL

Technical Data

Application note

This product is a standard product of METZ CONNECT. METZ CONNECT is not aware of the specific intended use of the goods by the Customer or any customers of the Customer. The Customer guarantees that it has fully and sufficiently tested the use of the goods and any product modifications, product changes or product enhancements with regard to the specific intended use in accordance with the state of the art or in any other way. At METZ CONNECT's request, the Customer shall submit and make available meaningful evidence (e.g. test and laboratory protocols, certifications, etc.).



P | Cabling

Data sheet

Page 7/10

E-DAT C6 2 port AP pure white

P/N

1307380002-I

EAN 4250184102601

2024/11/26

Version: AL

Accessories

| P/N | Designation |
|---------------|--|
| 130829-02-I | Surface mount frame 85 x 85 x 35 mm - Single, pure white |
| 816718-0102-I | Cover plate 80 x 80 mm pure white, E-DAT C6 |
| 820394-0105-I | Dust protection covers for wall outlets yellow |
| 820394-0106-I | Dust protection covers for wall outlets blue |
| 820394-0107-I | Dust protection covers for wall outlets green |
| 820394-0108-I | Dust protection covers for wall outlets red |
| 899650-01 | Label sheet for wall outlets |



P | Cabling

Data sheet

E-DAT C6 2 port AP pure white

Page 8/10

P/N

1307380002-I

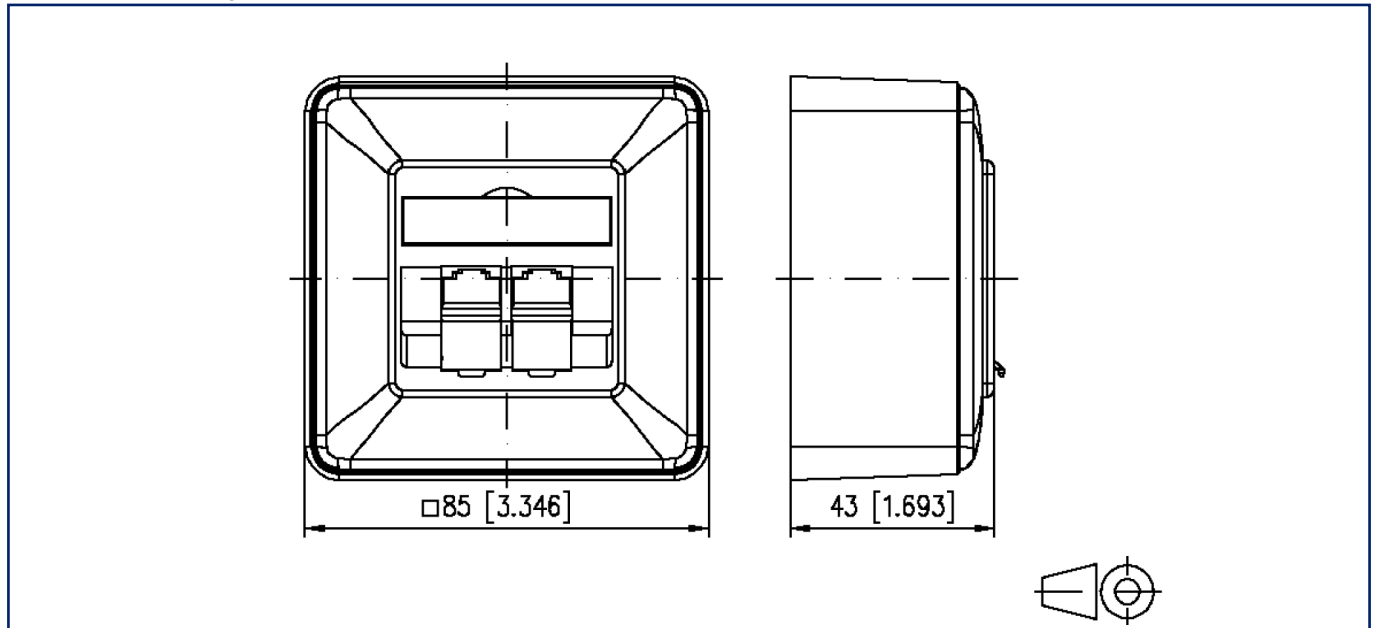
EAN 4250184102601

2024/11/26

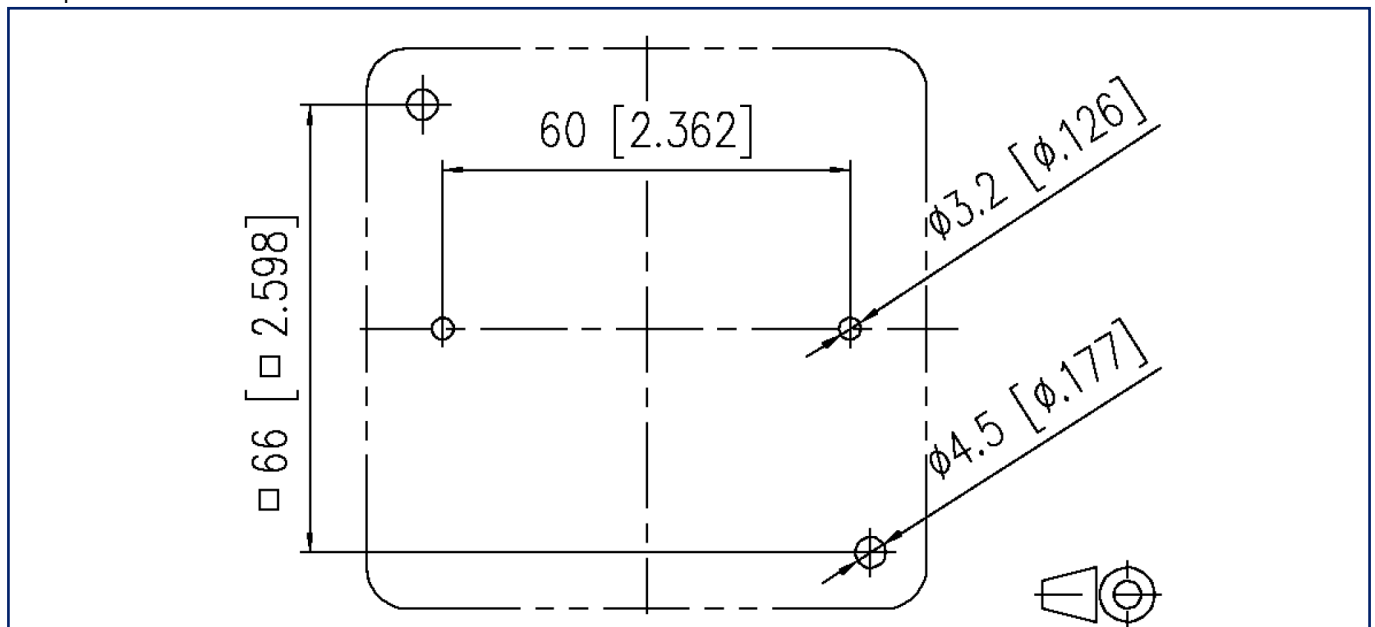
Version: AL

Illustrations

Dimensional drawing



Drill pattern



P | Cabling

Data sheet

E-DAT C6 2 port AP pure white

Page 9/10

P/N

1307380002-I

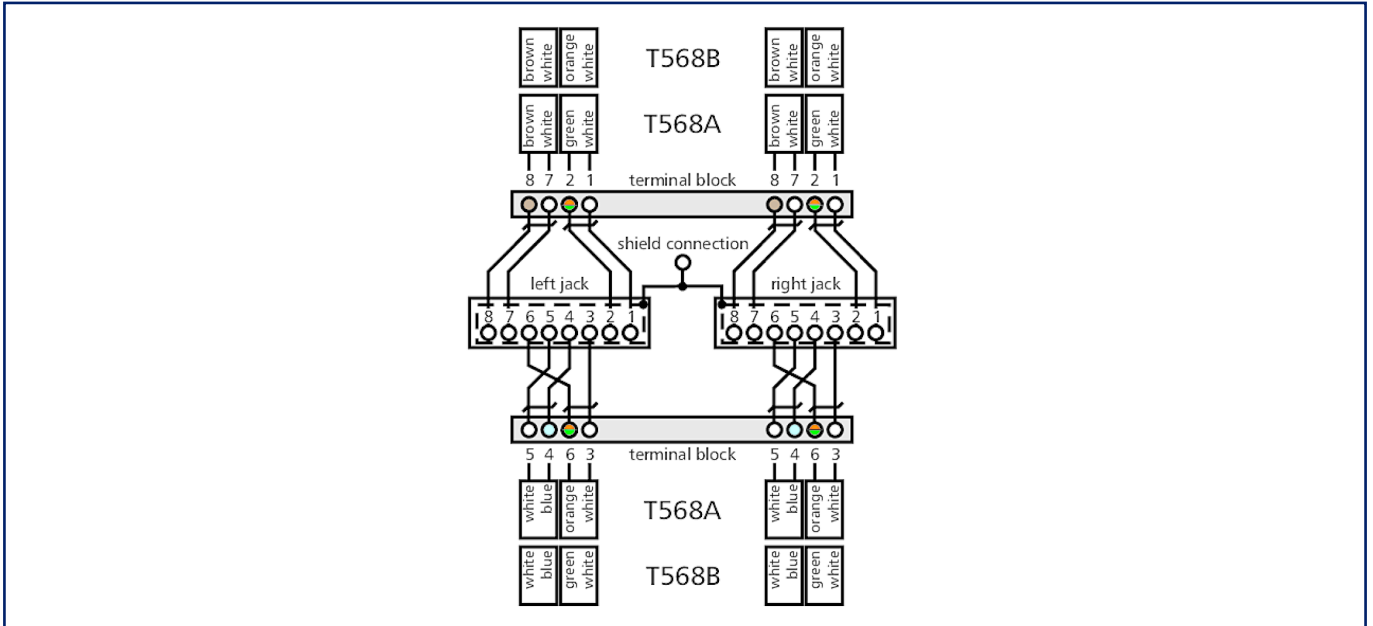
EAN 4250184102601

2024/11/26

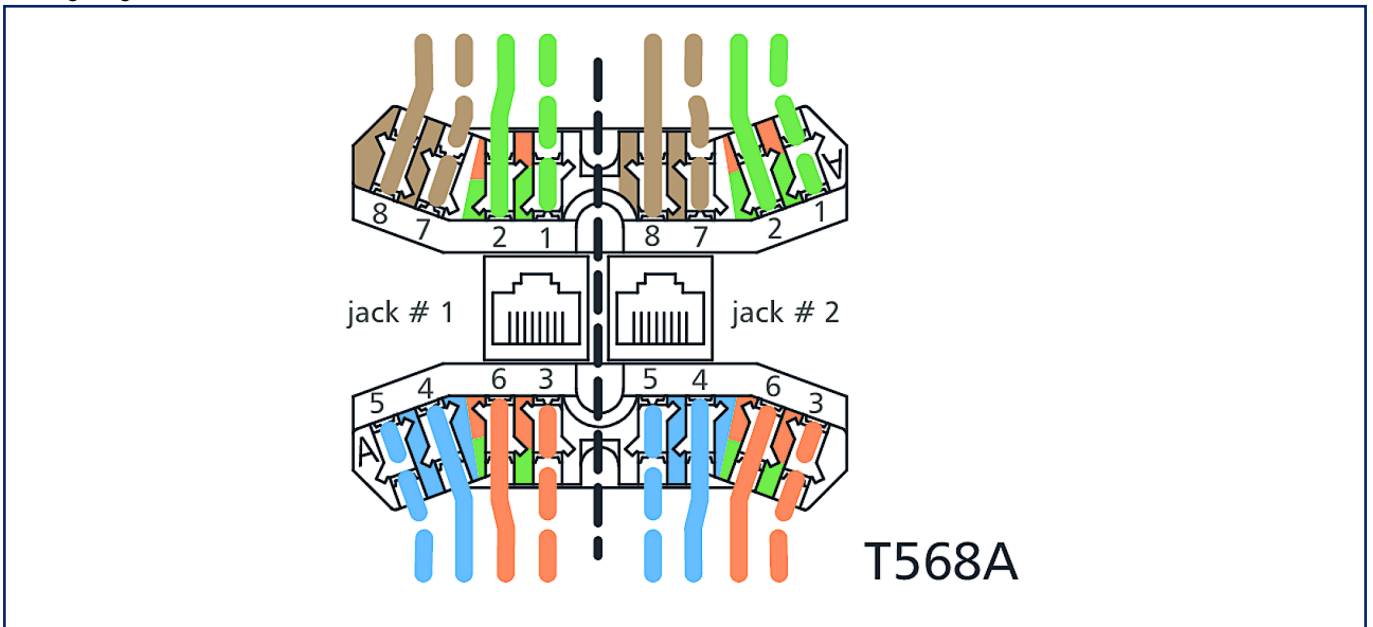
Version: AL

Illustrations

Wiring diagram



Wiring diagram



P | Cabling

Data sheet

E-DAT C6 2 port AP pure white

Page 10/10

P/N

1307380002-I

EAN 4250184102601

2024/11/26

Version: AL

Illustrations

Wiring diagram

