

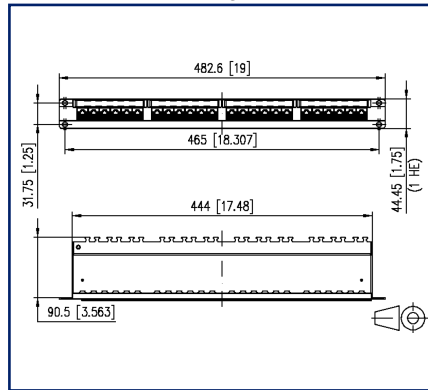
Data sheet

E-DAT C6_A 24 port patch panel 1RU LSA

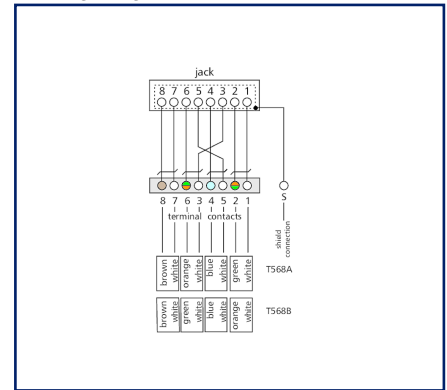
Illustrations



Dimensional drawing



Wiring diagram



See enlarged drawings at the end of document

Product specification

- 19 inch 1RU frame made of silver anodized aluminum with 24 individually shielded RJ45 jacks
- Cat.6_A component test according to ISO/IEC 11801, DIN EN 50173-1, ANSI/TIA-568.2-D and IEC 60603-7-51, GHMT certified
- compliance with class E_A up to 500 MHz according to ISO/IEC 11801, DIN EN 50173-1
- tested: component up to 600 MHz, link up to 800 MHz
- suitable for 10 GBit Ethernet (IEEE 802.3an), Remote Powering (PoE, PoE plus, UPoE and 4PPoE) and HDBaseT
- wire pairs can be led to the LSA terminal without untwisting the pair
- connection of 2 to 4-pair data lines to LSA insulation displacement connectors (AWG 26/1-22/1) conductor colors marking to T568A

P | Cabling

Data sheet

Page 2/9

E-DAT C6_A 24 port patch panel 1RU LSA

P/N
130855C-E

EAN 4250184118572

2024/09/27

Version: AE

Technical Data

General Data

Fields of application	structured building cabling office areas Distributed building services data center
Mechanical measurement according to MICE	M1
Ingress measurement according to MICE	I1
Climatic measurement according to MICE	C1
Electromagnetic measurement according to MICE	E2
Design	patch panel
Mounting style	1RU
Shielding	shielded
Transmission technology	Copper
Wiring	T568A, T568B
Color	anodized alu.
Dimensions	
Dimension (L x W x H)	90.5 mm x 444 mm x 44.45 mm
Dimension (L x W x H)	3.563 in. x 17.48 in. x 1.75 in.
Inches	19 inches
Height unit	1RU
Labeling option	printed numbers

Transmission characteristics

Category (ISO)	6 _A
Class (ISO/IEC)	E _A
Category (TIA)	6A
Remote Powering	yes
PoE	IEEE 802.3af
PoE plus	IEEE 802.3at
UPoE	yes
4PPoE	IEEE 802.3bt
HDBaseT	yes
Transmission rate up to 100 MBit (Fast Ethernet)	IEEE 802.3bw
Transmission rate up to 1 GBit (Fast Ethernet)	IEEE 902.3ab
Transmission rate up to 10 GBit	IEEE 802.3an

P | Cabling

Data sheet

Page 3/9

E-DAT C6_A 24 port patch panel 1RU LSA

P/N
130855C-E

EAN 4250184118572

2024/09/27

Version: AE

Technical Data

Connections/interfaces

Connector technology interface 1	LSA terminal block
Connector technology interface 2	RJ45-jack
Number of ports interface 2	24
Number of ports interface 2 equipped	24
Number of positions/contacts interface 1	24 x 8
Number of positions/contacts interface 2	24 x 8P/8C
Termination data, solid wire (min. - max.)	
Conductor cross section, solid wire	AWG 26/1 - AWG 22/1
Conductor cross section, solid wire	0.128 mm ² - 0.324 mm ²
Conductor diameter, solid wire (bare copper)	0.409 mm - 0.643 mm
Conductor diameter, solid wire (bare copper)	0.016 in. - 0.025 in.
Cable access/outlet	180°
Ground connection	grounding bolt M6x10 with nut and lock washer
Shield connection	flexible contact spring

Electrical characteristics

Current carrying capacity	max. 1 A at 60 °C
Rated voltage	max. 60 V DC
Contact resistance	max. 20 mOhm
Through resistance	max. 200 mOhm
Insulation resistance	min. 500 MOhm
Dielectric strength conductor-conductor (secondary)	max. 1000 V DC
Dielectric strength conductor-conductor, peak value (secondary)	max. 1.000 V AC
Dielectric strength conductor-shield	max. 1500 V DC
Dielectric strength conductor-shield, peak value	max. 1500 V AC

P | Cabling

Data sheet

Page 4/9

E-DAT C6_A 24 port patch panel 1RU LSA

P/N
130855C-E

EAN 4250184118572

2024/09/27

Version: AE

Technical Data

Mechanical data

Insertion and withdrawal force	max. 30 N
Life - Number of mating cycles	min. 750
Position/mounting of latch standard installation position	top
strain relief	cable tie

Materials and material properties

Material - Terminal block housing	PBT (polybutylene terephthalate)
Material - Jack contact	Hyper Ph-Br
Material - Jack contact finish	AuCo
Material - Terminal block contact	CuSn6
Material - Terminal block contact finish	Sn
Material - Jack shield	CuSn6
Material - Cover	sheet steel
Material - Module support	Al (Aluminium)
Material - Module support finish	silver anodized
Halogen free	yes
RoHS	compliant

Environmental conditions

Temperature (min. - max.)	
Temperature - Storage °C	-40 °C - 70 °C
Temperature - Storage °F	-40 °F - 158 °F
Temperature - Operating °C	-40 °C - 70 °C
Temperature - Operating °F	-40 °F - 158 °F

Certifications

GHMT Type Approval



Component

P | Cabling

Data sheet

Page 5/9

E-DAT C6_A 24 port patch panel 1RU LSA

P/N
130855C-E

EAN 4250184118572

2024/09/27

Version: AE

Technical Data

Standards/Regulations

Generic cabling systems

General requirements	ISO/IEC 11801-1:2017-11 DIN EN 50173-1:2018-10 ANSI/TIA-568.2-D
Office buildings	ISO/IEC 11801-2:2017-11 DIN EN 50173-2:2018-10 ANSI/TIA-568.2-D
Living units	ISO/IEC 11801-4:2017-11 DIN EN 50173-4:2018-10 ANSI/TIA-570-D
Data centers	ISO/IEC 11801-5:2017-11 DIN EN 50173-5:2018-10 ANSI/TIA-942-B

Connectors for electronic equipment

Free and fixed connectors	DIN EN 60603-7-51:2011-01, DIN EN 60603-7:2019-11, DIN EN 60603-7-1:2012-01
---------------------------	---

Connectors for electronic equipment - Tests and measurements

Test standard for connectors (engaging and separating connectors under electrical load)	DIN-EN 60512-99-001, DIN-EN 60512-99-002
Endurance tests	DIN EN 60603-7:2019-11, DIN EN 60603-7-1:2012-01
Climate tests	DIN EN 60603-7:2019-11, DIN EN 60603-7-1:2012-01

Classifications

ETIM 7.0	EC001128
ETIM 8.0	EC001128
ETIM 9.0	EC001128

Packing details

Type of packaging	1 pc(s) / box
Packaging unit - Weight (gram)	1120 g
Packaging unit - Weight (pound)	2.47 lb
Packaging dimension	520 mm x 100 mm x 46 mm
Packaging dimension	20.472 in. x 3.937 in. x 1.811 in.

P | Cabling

Data sheet

Page 6/9

E-DAT C6_A 24 port patch panel 1RU LSA

P/N

130855C-E**EAN 4250184118572**

2024/09/27

Version: AE

Technical Data

Application note

This product is a standard product of METZ CONNECT. METZ CONNECT is not aware of the specific intended use of the goods by the Customer or any customers of the Customer. The Customer guarantees that it has fully and sufficiently tested the use of the goods and any product modifications, product changes or product enhancements with regard to the specific intended use in accordance with the state of the art or in any other way. At METZ CONNECT's request, the Customer shall submit and make available meaningful evidence (e.g. test and laboratory protocols, certifications, etc.).



P | Cabling

Data sheet

E-DAT C6_A 24 port patch panel 1RU LSA

Page 7/9

P/N

130855C-E

EAN 4250184118572

2024/09/27

Version: AE

Accessories

P/N	Designation
130792	Mounting kit, cage nuts M6
130818-E	Crimp Tool LSA-PLUS®



P | Cabling

Data sheet

E-DAT C6_A 24 port patch panel 1RU LSA

Page 8/9

P/N
130855C-E

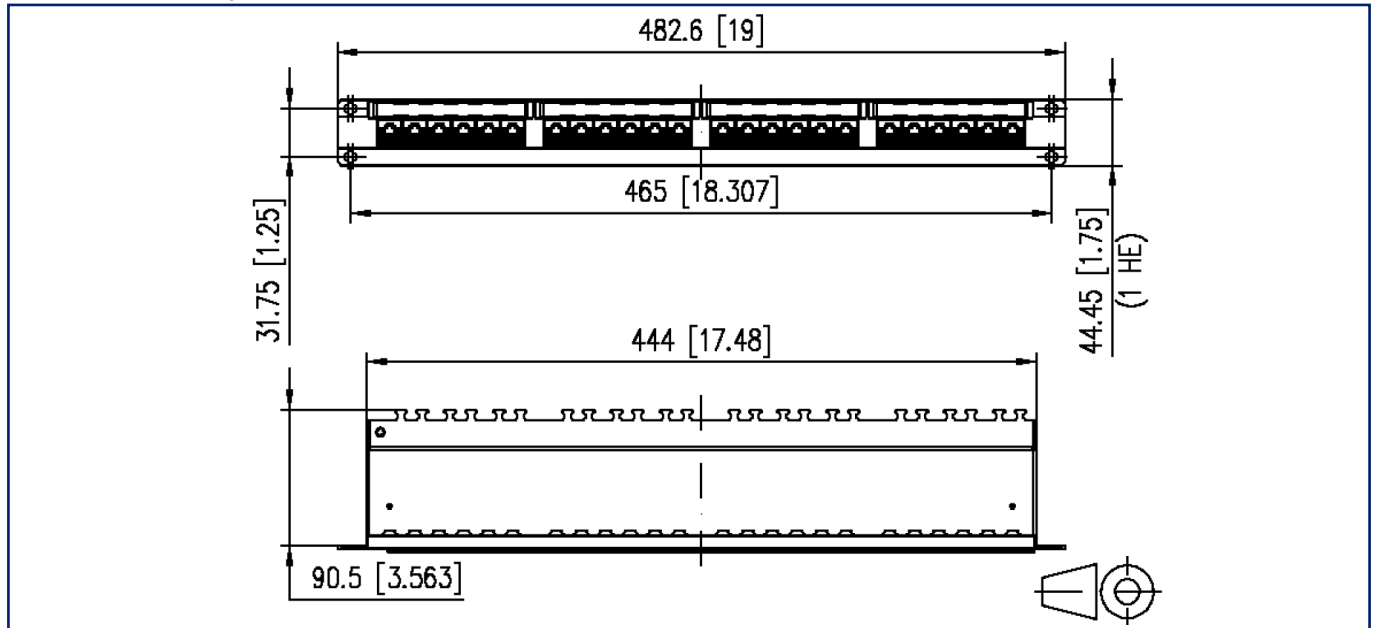
EAN 4250184118572

2024/09/27

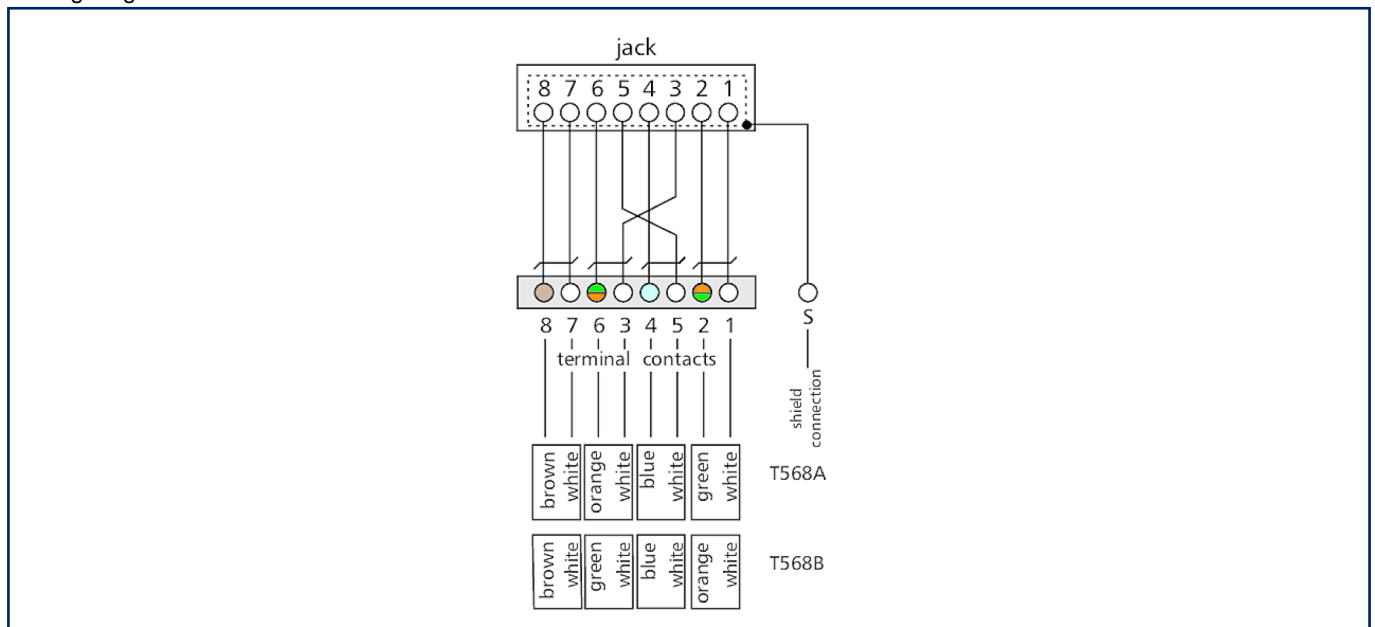
Version: AE

Illustrations

Dimensional drawing



Wiring diagram



P | Cabling

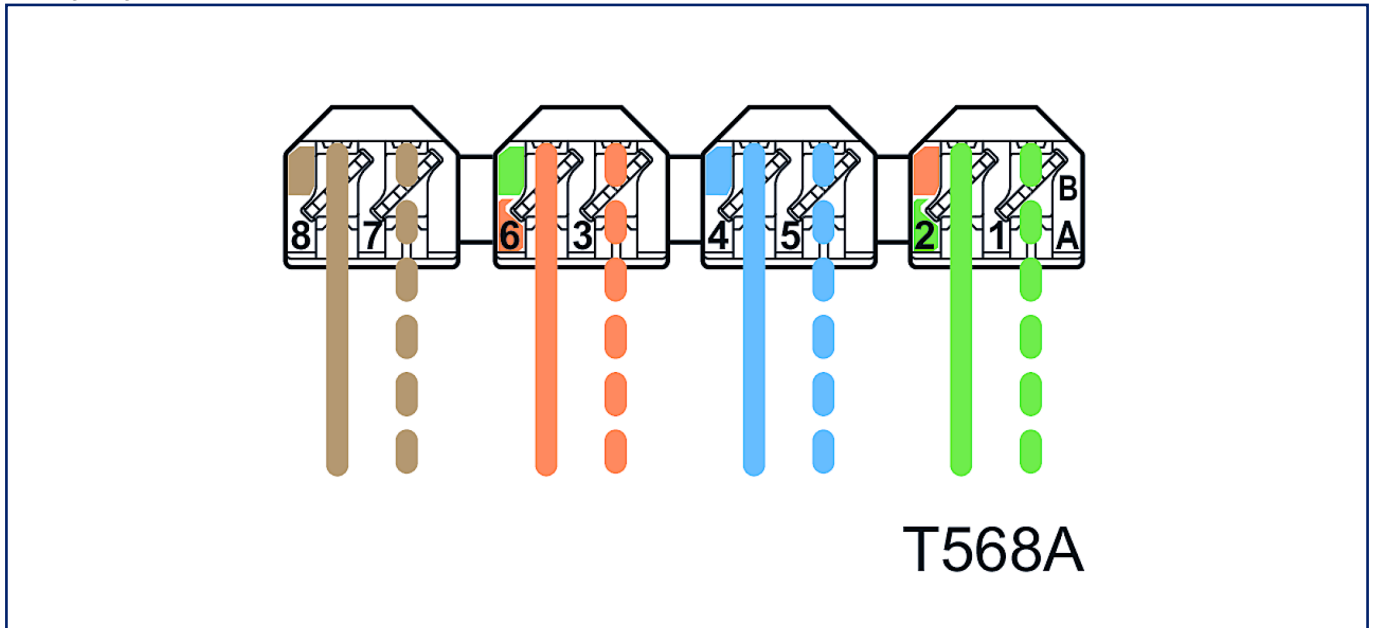
Data sheet
E-DAT C6_A 24 port patch panel 1RU LSA

Page 9/9

P/N
130855C-E
EAN 4250184118572
2024/09/27
Version: AE

Illustrations

Wiring diagram



Wiring diagram

