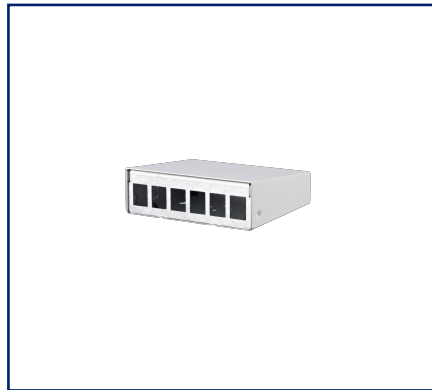


Data sheet

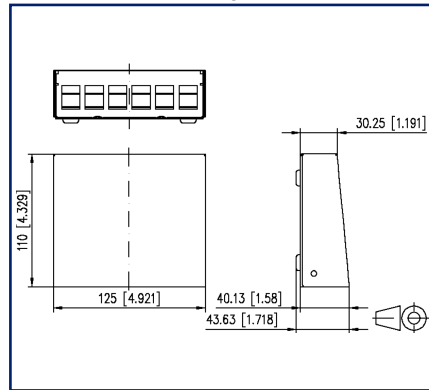
Keystone surface mount housing 6 port pure white, unequipped

P/N
130861-0602KE
EAN 4251122184215
2024/09/26
Version: J

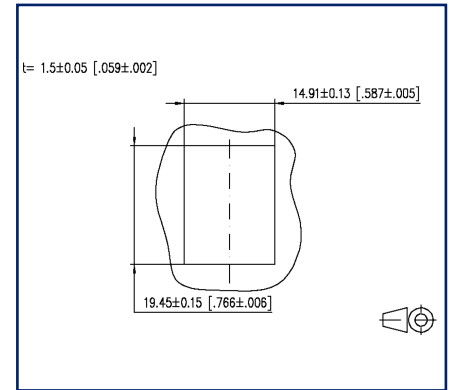
Illustrations



Dimensional drawing



Cut-out



See enlarged drawings at the end of document

Product specification

- surface-mounted, unequipped module housing for individual modules, Keystone design
- solid steel sheet housing
- upper part of the housing powder-coated in RAL 9010
- upper part of the housing can be put on and removed easily because no screws are used for fastening
- equipotential bonding possible by means of contact pin
- additional strain relief on lower part of housing using cable ties
- suitable for direct wall mounting, as desktop device and for DIN-rail mounting using the DIN rail adapter mini FS
- bottom of the 3 port and 4 port housing can be removed. Additional fastening by means of 60 mm fastening clearance.
- optionally available and usable in all housings except 2 port: FO extension set for module and keystone surface mount housing: 130861-MSK-E
- optionally available 2x12 housing: Strain relief for patch cords 130861-24ZE-E
- variants: 2, 3, 4, 6, 8, 12, 16 and 2x12 ports

P | Cabling

Data sheet

Page 2/5

Keystone surface mount housing 6 port pure white, unequipped

P/N

130861-0602KE

EAN 4251122184215

2024/09/26

Version: J

Technical Data

General Data

| | |
|---|-----------------------------------|
| Fields of application | office areas data center |
| Mechanical measurement according to MICE | M1 |
| Ingress measurement according to MICE | I1 |
| Climatic measurement according to MICE | C1 |
| Electromagnetic measurement according to MICE | E3 |
| Design | patch panel |
| Color | pure white - RAL 9010 |
| Dimensions | |
| Dimension (L x W x H) | 110 mm x 125 mm x 43.63 mm |
| Dimension (L x W x H) | 4.331 in. x 4.921 in. x 1.718 in. |
| Modularity | yes |

Connections/interfaces

| | |
|--------------------------------------|---|
| Number of ports interface 1 | 6 |
| Number of equipped ports interface 1 | 0 |
| Number of ports interface 2 | 6 |
| Number of ports interface 2 equipped | 0 |

Mechanical data

| | |
|---------------|-----------|
| Cut-out | Keystone |
| strain relief | cable tie |

Materials and material properties

| | |
|------------------------|----------------------|
| Material - Housing | aluminium-zinc sheet |
| Material - Front cover | aluminium-zinc sheet |
| Material - Cover | steel |
| Halogen free | yes |
| RoHS | compliant |



P | Cabling

Data sheet

Page 3/5

Keystone surface mount housing 6 port pure white, unequipped

P/N

130861-0602KE

EAN 4251122184215

2024/09/26

Version: J

Technical Data

Environmental conditions

Temperature (min. - max.)

Temperature - Storage °C -40 °C - 70 °C

Temperature - Storage °F -40 °F - 158 °F

Temperature - Operating °C -40 °C - 70 °C

Temperature - Operating °F -40 °F - 158 °F

Classifications

ETIM 7.0 EC002006

ETIM 8.0 EC002006

ETIM 9.0 EC002006

Packing details

Type of packaging 1 pc(s) / box

Packaging unit - Weight (gram) 361 g

Packaging unit - Weight (pound) 0.8 lb

Packaging dimension 145 mm x 135 mm x 55 mm

Packaging dimension 5.709 in. x 5.315 in. x 2.165 in.

Application note

This product is a standard product of METZ CONNECT. METZ CONNECT is not aware of the specific intended use of the goods by the Customer or any customers of the Customer. The Customer guarantees that it has fully and sufficiently tested the use of the goods and any product modifications, product changes or product enhancements with regard to the specific intended use in accordance with the state of the art or in any other way. At METZ CONNECT's request, the Customer shall submit and make available meaningful evidence (e.g. test and laboratory protocols, certifications, etc.).

Keystone surface mount housing 6 port pure white, unequipped

P/N

130861-0602KE

EAN 4251122184215

2024/09/26

Version: J

Accessories

| P/N | Designation |
|----------------|--|
| 130861-MSK-E | FO extension set for module and keystone surface mounted housing |
| 130898-0003KI | Keystone BLIND module light gray |
| 130898-0029KI | Keystone BLIND module black |
| 130898-0103KI | COAX modul F jack / F jack, Keystone |
| 130898-0203KI | COAX modul IEC jack / F jack, Keystone |
| 130898-0303KI | COAX modul IEC plug / F jack, Keystone |
| 1308990111-I | DIN rail adapter mini |
| 130910K-DNV | E-DAT modul Cat.6 _A K jack T568A+T568B DNV - Keystone style |
| 130910KI | E-DAT modul Cat.6 _A K jack - Keystone style |
| 130910KI-79 | E-DAT modul Cat.6 _A K jack - Keystone style |
| 130910KZ | E-DAT modul Cat.6 _A K jack - Keystone style (12 pcs) |
| 1309A0-I | E-DAT modul coupler 8(8) 180° class E _A |
| 130A08-I-B1 | UTP modul Cat.5e white |
| 130A10-29-I-B1 | UTP modul 8(8) Cat.6 black |
| 130A10-I-B1 | UTP modul 8(8) Cat.6 white |
| 130A11-29KI | UTP modul 8(8) Cat.6 _A Keystone black |
| 130A11KI | UTP modul 8(8) Cat.6 _A Keystone white |
| 130B21-25-E | 25Gmodul - Keystone |
| 130B21-25-Z | 25Gmodul - Keystone style (12 pcs) |
| 130B21-DNV | C6 _A modul K 180° jack DNV - Keystone style |
| 130B21-E | C6 _A modul K 180° jack - keystone style |
| 130B21-Z | C6 _A modul K 180° jack - Keystone style (12 pcs) |
| 15091071-I | OpDAT modul LC-Duplex OS2 |
| 15091072-I | OpDAT modul LC-Duplex OM3 |
| 15091075-I | OpDAT modul LC-Duplex OM4 |
| 15091076-I | OpDAT modul LC-Duplex APC OS2 |
| 1509107B-I | OpDAT modul LC-Duplex MM |

P | Cabling

Data sheet

Page 5/5

Keystone surface mount housing 6 port pure white, unequipped

P/N

130861-0602KE

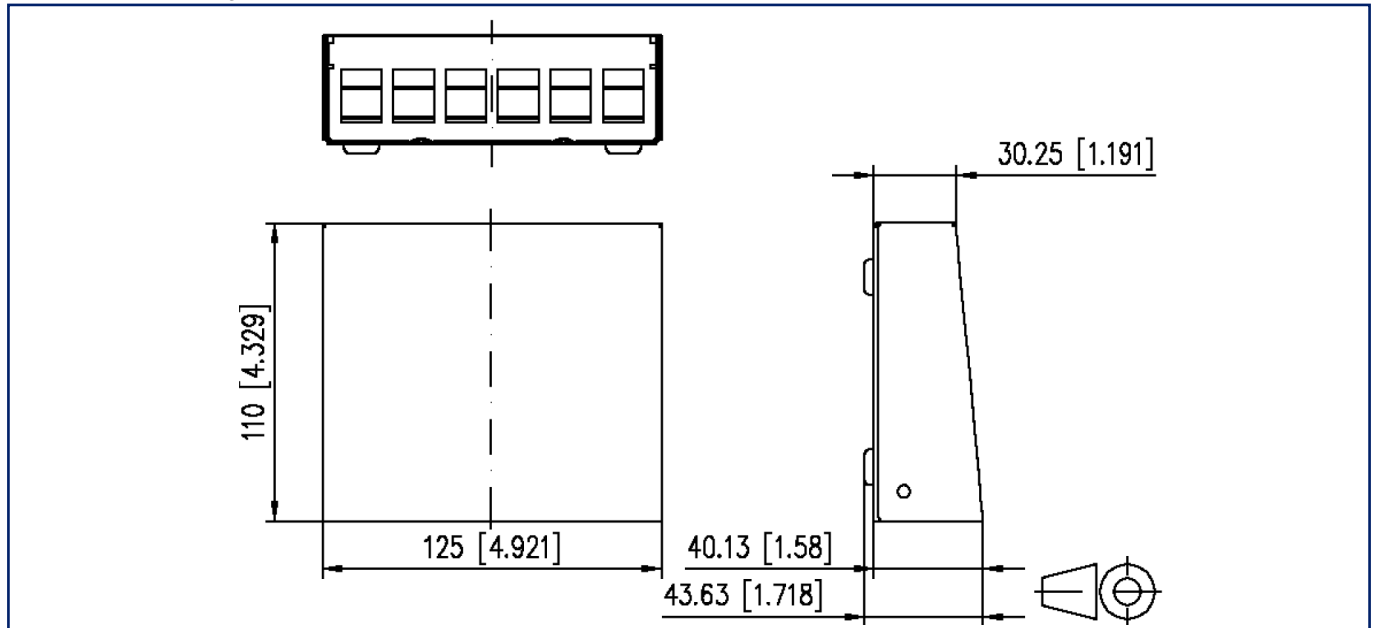
EAN 4251122184215

2024/09/26

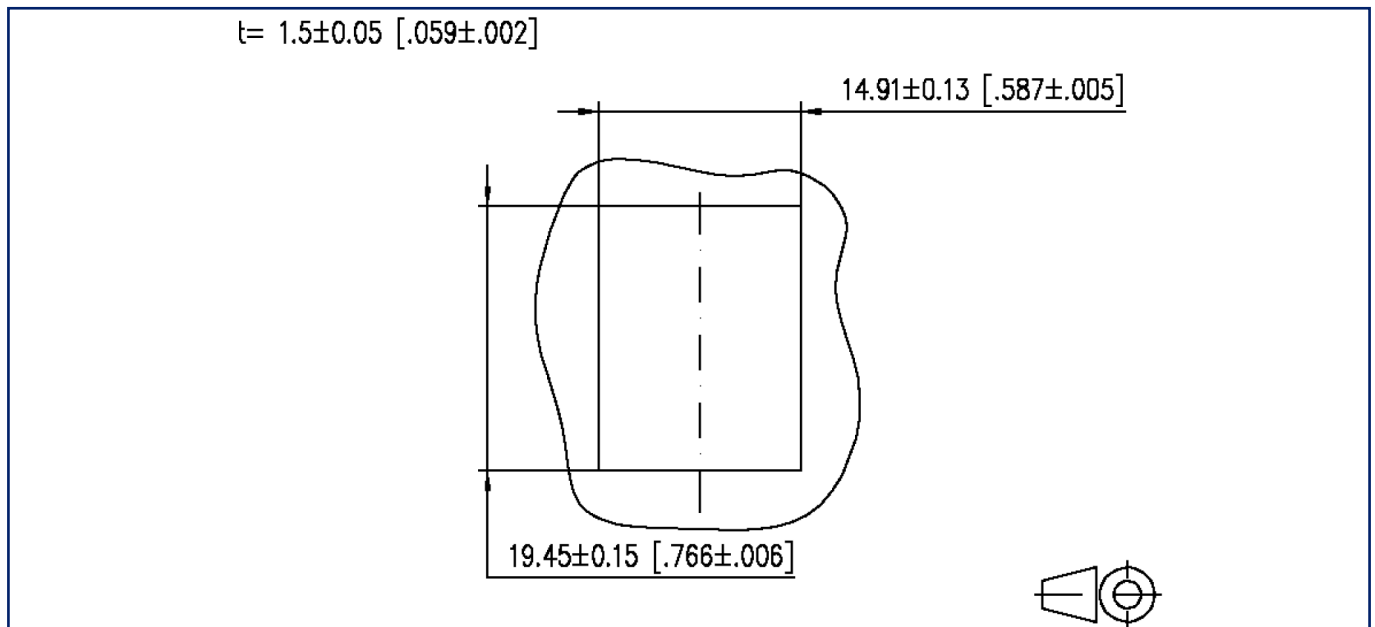
Version: J

Illustrations

Dimensional drawing



Cut-out



© 2024 METZ CONNECT - Technische Änderungen vorbehalten! Subject to modifications! Sous réserve de modifications techniques!

