

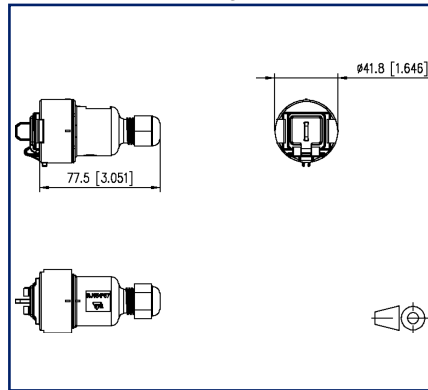
Data sheet

E-DAT Industry IP67 V6 cable coupler, 1 port Cat.6_A - E-DAT modul

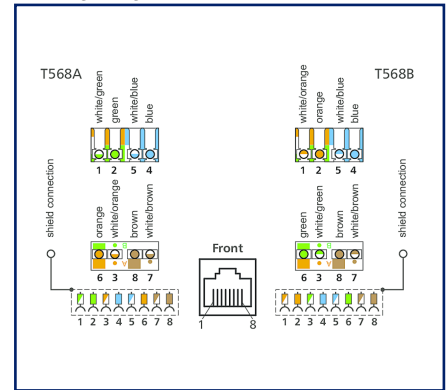
Illustrations



Dimensional drawing



Wiring diagram



See enlarged drawings at the end of document

Product specification

- RJ45 termination unit E-DAT modul in flange housing to ISO/IEC 24702 and IEC 61076-3-106 var. 6
- Cat.6_A component test according to ISO/IEC 11801, DIN EN 50173-1, ANSI/TIA-568.2-D and IEC 60603-7-51, GHMT certified
- compliance with class E_A according to ISO/IEC 11801, DIN EN 50173-1
- suitable for 10 GBit Ethernet (IEEE 802.3an), Remote Powering (PoE, PoE plus, UPoE and 4PPoE) and HDBaseT
- easy to install connection of 2 to 4-pair data lines AWG 26/1 - 22/1 and stranded wires with 7 copper conductors AWG 26/7 - 22/7 to BTR 8-fold insulation displacement connectors (IDC)
- marking of conductor assignment to T568A and T568B
- complies with ingress protection IP67 when plugged in
- plug face pursuant to IEC 61076-3-106 (variant 6)
- large 360° shield contact
- can be used as cable coupler (KK)
- connection of RJ45 plugs available on the market (no IP protection)
- easy, time-saving mounting
- color: RAL 7035 (light gray)

P | Cabling

Data sheet

Page 2/7

E-DAT Industry IP67 V6 cable coupler, 1 port Cat.6_A - E-DAT modul

P/N

1309415003-E

EAN 4250184106579

2024/10/01

Version: AJ

Technical Data

General Data

Fields of application	office areas harsh environment
Mechanical measurement according to MICE	M1
Ingress measurement according to MICE	I1
Climatic measurement according to MICE	C1
Electromagnetic measurement according to MICE	E2
Design	wall outlet
Shielding	shielded
Transmission technology	Copper
Wiring	T568A and T568B
Color protective housing	light gray
Dimensions	
Dimension (L x W x H)	77.5 mm x 41.8 mm x 41.8 mm
Dimension (L x W x H)	3.051 in. x 1.646 in. x 1.646 in.

Transmission characteristics

Category (ISO)	6
Class (ISO/IEC)	E _A
Category (TIA)	6
Remote Powering	yes
PoE	IEEE 802.3af
PoE plus	IEEE 802.3at
UPoE	yes
4PPoE	IEEE 802.3bt
HDBaseT	yes
Transmission rate up to 10 GBit	IEEE 802.3an



E-DAT Industry IP67 V6 cable coupler, 1 port Cat.6_A - E-DAT modul

P/N

1309415003-E

EAN 4250184106579

2024/10/01

Version: AJ

Technical Data

Connections/interfaces

Connector technology interface 1	IDC-connection
Connector technology interface 2	RJ45-jack
Number of ports interface 2	1
Number of ports interface 2 equipped	1
Number of positions/contacts interface 1	8
Number of positions/contacts interface 2	8P/8C
Protective housing interface 1	V6
Protective housing interface 2	V6
Termination data, solid wire (min. - max.)	
Conductor cross section, solid wire	AWG 26/1 - AWG 22/1
Conductor cross section, solid wire	0.128 mm ² - 0.324 mm ²
Conductor diameter, solid wire (bare copper)	0.409 mm - 0.643 mm
Conductor diameter, solid wire (bare copper)	0.016 in. - 0.025 in.
Termination data, stranded wire (min. - max.)	
Conductor cross section, stranded wire	AWG 26/7 - AWG 22/7
Conductor cross section, stranded wire	0.141 mm ² - 0.355 mm ²
Conductor diameter, stranded wire (bare copper)	0.483 mm - 0.762 mm
Conductor diameter, stranded wire (bare copper)	0.019 in. - 0.03 in.

Electrical/ optical properties

Current carrying capacity	max. 1 A
Contact resistance	max. 20 mOhm
Insulation resistance	min. 500 MOhm
Dielectric strength conductor-conductor (secondary)	min. 1000 V DC

Mechanical data

Insertion and withdrawal force	max. 30 N
Position/mounting of latch standard installation position	top



P | Cabling

Data sheet

Page 4/7

E-DAT Industry IP67 V6 cable coupler, 1 port Cat.6_A - E-DAT modul

P/N

1309415003-E

EAN 4250184106579

2024/10/01

Version: AJ

Technical Data

Materials and material properties

Material - Housing	GD-Zn
Material - Protective housing	PA UL94 V0
Material - Contact	CuSn
Material - Contact finish	Ni + Au (nickel-gold)
Material - Contact carriers	PA 6.6
Material - Finish	Ni (nickel)
Material - Cable gland	PA (polyamide)
Material - Protective housing seal	NBR (nitrile butadiene rubber)
Material - Cap nut	PA (polyamide)
Material - Protective cap	PA UL94 V0
RoHS	compliant

Environmental conditions

Temperature (min. - max.)	
Temperature - Storage °C	-40 °C - 70 °C
Temperature - Storage °F	-40 °F - 158 °F
Temperature - Operating °C	-40 °C - 70 °C
Temperature - Operating °F	-40 °F - 158 °F
Particulate ingress	IP6X
Liquid ingress/immersion	IPX7
Rapid change of temperature	-40°C / -40°F - +70°C / 158°F / 25 cycles t=30 min

Certifications

GHMT Type Approval



Component



P | Cabling

Data sheet

Page 5/7

E-DAT Industry IP67 V6 cable coupler, 1 port Cat.6_A - E-DAT modul

P/N

1309415003-E

EAN 4250184106579

2024/10/01

Version: AJ

Technical Data

Approvals

UL listed (file no.)



DUXR.E178484

Standards/Regulations

Generic cabling systems

General requirements

ANSI/TIA-568

Industrial area

ISO/IEC 24702 | DIN EN 50173-3
ANSI/TIA-1005

Connectors for electronic equipment

Free and fixed connectors

DIN EN 60603-7-51:2011-01

Connectors for electronic equipment - Tests and measurements

Test standard for connectors (engaging and separating connectors under electrical load)

DIN-EN 60512-99-001, Pg. UEL1

Endurance tests

IEC 60512-9-3: 03-2009

Degrees of Protection Provided by Enclosures

IEC 60529

Interference proof

Immunity for industrial environments

DIN EN 61000-6-2:2006-03

Climate tests

IEC 60512-11

Classifications

ETIM 7.0

EC002597

ETIM 8.0

EC002597

ETIM 9.0

EC002597

Packing details

Type of packaging

1 pc(s) / plastic bag

Packaging unit - Weight (gram)

35 g

Packaging unit - Weight (pound)

0.08 lb

Packaging dimension

160 mm x 100 mm x 380 mm

Packaging dimension

6.299 in. x 3.937 in. x 14.961 in.

P | Cabling

Data sheet

Page 6/7

E-DAT Industry IP67 V6 cable coupler, 1 port Cat.6_A - E-DAT modul

P/N

1309415003-E

EAN 4250184106579

2024/10/01

Version: AJ

Technical Data

Application note

This product is a standard product of METZ CONNECT. METZ CONNECT is not aware of the specific intended use of the goods by the Customer or any customers of the Customer. The Customer guarantees that it has fully and sufficiently tested the use of the goods and any product modifications, product changes or product enhancements with regard to the specific intended use in accordance with the state of the art or in any other way. At METZ CONNECT's request, the Customer shall submit and make available meaningful evidence (e.g. test and laboratory protocols, certifications, etc.).



P | Cabling

Data sheet

Page 7/7

E-DAT Industry IP67 V6 cable coupler, 1 port Cat.6_A - E-DAT modul

P/N

1309415003-E

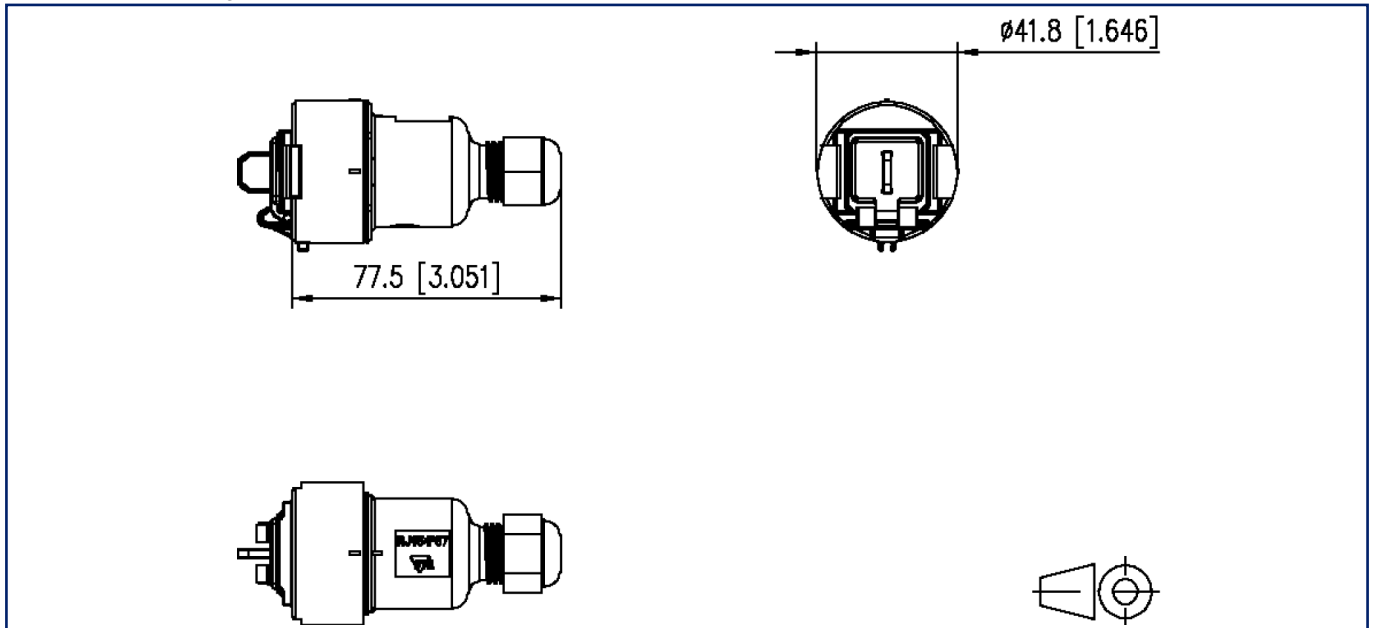
EAN 4250184106579

2024/10/01

Version: AJ

Illustrations

Dimensional drawing



Wiring diagram

