

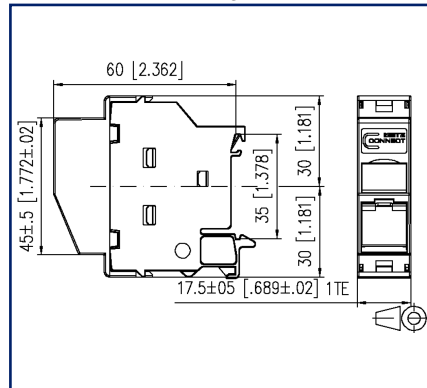
Data sheet

Keystone REGplus IP20 light gray unequipped

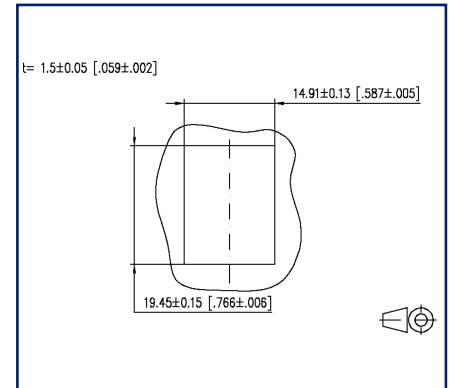
Illustrations



Dimensional drawing



Cut-out



See enlarged drawings at the end of document

Product specification

- unequipped termination unit for mounting on TH35 rail to DIN EN 60715
- for one individual module in Keystone design
- variable cable feed 45° from the top or bottom,
- plug direction 45° downwards
- width of 1HP allows mounting up to 12 REG in standard electrical distribution panels
- when mounted as a device of protection class I, the equipotential bonding is realized directly over the rail by means of an integrated equipotential plate. Special measures have to be taken to integrate the rail in the equipotential bonding of the building.
- a cover protects the device against direct contact. If mounted in distributor panels with protective insulation, protection class II is guaranteed. In this case, it is necessary to remove the equipotential bonding plate.
- integrated dust protection cover (also colored)
- suitable modules for cable access 45° from the top: C6_Amodul K 180°, E-DAT modul coupler 180°, UTP modul Cat.5e und Cat.6, suitable modules for cable access 45° from the bottom: C6_Amodul K 270°
- not suitable for modules in Modul design and C6_Amodul K 90°!



Keystone REGplus IP20 light gray unequipped

P/N

1309428103-E

EAN 4250184161516

2024/10/10

Version: S

Technical Data

General Data

Fields of application	office areas
Mechanical measurement according to MICE	M1
Ingress measurement according to MICE	I1
Climatic measurement according to MICE	C1
Electromagnetic measurement according to MICE	E3
Design	wall outlet
Mounting style	Standard rail TH35
Color	light gray
Dimensions	
Dimension (L x W x H)	60 mm x 17.5 mm x 60 mm
Dimension (L x W x H)	2.362 in. x 0.689 in. x 2.362 in.
Horizontal pitch	1HP
Labeling option	label window with identification label
Marking option	by dust protection

Connections/interfaces

Number of ports interface 2	1
Number of ports interface 2 equipped	0
Number of ports with dust protection interface 2	1
Module plug-in direction	45° downwards
Cable access/outlet	variable, 45° from the top or bottom

Mechanical data

Cut-out	Keystone
---------	----------

Materials and material properties

Material - Cover part(s)	PA66
Material - Lower housing	PA66
Material - Label window	ABS, transparent
Material - Dust protection	ABS
Halogen free	yes
RoHS	compliant



P | Cabling

Data sheet

Page 3/6

Keystone REGplus IP20 light gray unequipped

P/N

1309428103-E

EAN 4250184161516

2024/10/10

Version: S

Technical Data

Environmental conditions

Particulate ingress	IP2X
Liquid ingress/immersion	IPX0

Approvals

UL listed (file no.)		DUXR.E178484
----------------------	------------------------------------------------------------------------------------	--------------

Classifications

ETIM 7.0	EC001024
ETIM 8.0	EC001024
ETIM 9.0	EC001024

Packing details

Type of packaging	10 pc(s) / box
Packaging unit - Weight (gram)	286 g
Packaging unit - Weight (pound)	0.63 lb
Packaging dimension	235 mm x 165 mm x 135 mm
Packaging dimension	9.252 in. x 6.496 in. x 5.315 in.

Application note

This product is a standard product of METZ CONNECT. METZ CONNECT is not aware of the specific intended use of the goods by the Customer or any customers of the Customer. The Customer guarantees that it has fully and sufficiently tested the use of the goods and any product modifications, product changes or product enhancements with regard to the specific intended use in accordance with the state of the art or in any other way. At METZ CONNECT's request, the Customer shall submit and make available meaningful evidence (e.g. test and laboratory protocols, certifications, etc.).

Keystone REGplus IP20 light gray unequipped

P/N

1309428103-E

EAN 4250184161516

2024/10/10

Version: S

Accessories

P/N	Designation
130898-0003KI	Keystone BLIND module light gray
130898-0029KI	Keystone BLIND module black
130898-0103KI	COAX modul F jack / F jack, Keystone
130898-0203KI	COAX modul IEC jack / F jack, Keystone
130898-0303KI	COAX modul IEC plug / F jack, Keystone
130910K-DNV	E-DAT modul Cat.6 _A K jack T568A+T568B DNV - Keystone style
130910KI	E-DAT modul Cat.6 _A K jack - Keystone style
130910KZ	E-DAT modul Cat.6 _A K jack - Keystone style (12 pcs)
1309A0-I	E-DAT modul coupler 8(8) 180° class E _A
130A08-I-B1	UTP modul Cat.5e white
130A10-29-I-B1	UTP modul 8(8) Cat.6 black
130A10-I-B1	UTP modul 8(8) Cat.6 white
130A11-29KI	UTP modul 8(8) Cat.6 _A Keystone black
130A11KI	UTP modul 8(8) Cat.6 _A Keystone white
130B21-25-E	25Gmodul - Keystone
130B21-25-Z	25Gmodul - Keystone style (12 pcs)
130B21-DNV	C6 _A modul K 180° jack DNV - Keystone style
130B21-E	C6 _A modul K 180° jack - keystone style
130B21-Z	C6 _A modul K 180° jack - Keystone style (12 pcs)
130B22-DNV	C6 _A modul K 270° jack DNV - Keystone style
130B22-E	C6 _A modul K 270° jack - keystone style
1509005A-I	OpDAT adapter E2000-Duplex MM with Snap-In mounting
1509005B-I	OpDAT adapter E2000-Duplex OS2 with Snap-In mounting
1509005C-I	OpDAT adapter E2000-Duplex APC OS2 with Snap-In mounting
15091071-I	OpDAT modul LC-Duplex OS2
15091072-I	OpDAT modul LC-Duplex OM3
15091075-I	OpDAT modul LC-Duplex OM4
15091076-I	OpDAT modul LC-Duplex APC OS2
1509107B-I	OpDAT modul LC-Duplex MM
816979-0103-I	Dust protection covers for Modul patch panels subway / REG gray
816979-0105-I	Dust protection covers for Modul patch panels subway / REG yellow

P | Cabling

Data sheet

Page 5/6

Keystone REGplus IP20 light gray unequipped

P/N

1309428103-E

EAN 4250184161516

2024/10/10

Version: S

Accessories

816979-0106-I	Dust protection covers for Modul patch panels subway / REG blue
816979-0107-I	Dust protection covers for Modul patch panels subway / REG green
816979-0108-I	Dust protection covers for Modul patch panels subway / REG red
899011-01	Label sheet for Modul patch panels / REG

P | Cabling

Data sheet

Page 6/6

Keystone REGplus IP20 light gray unequipped

P/N

1309428103-E

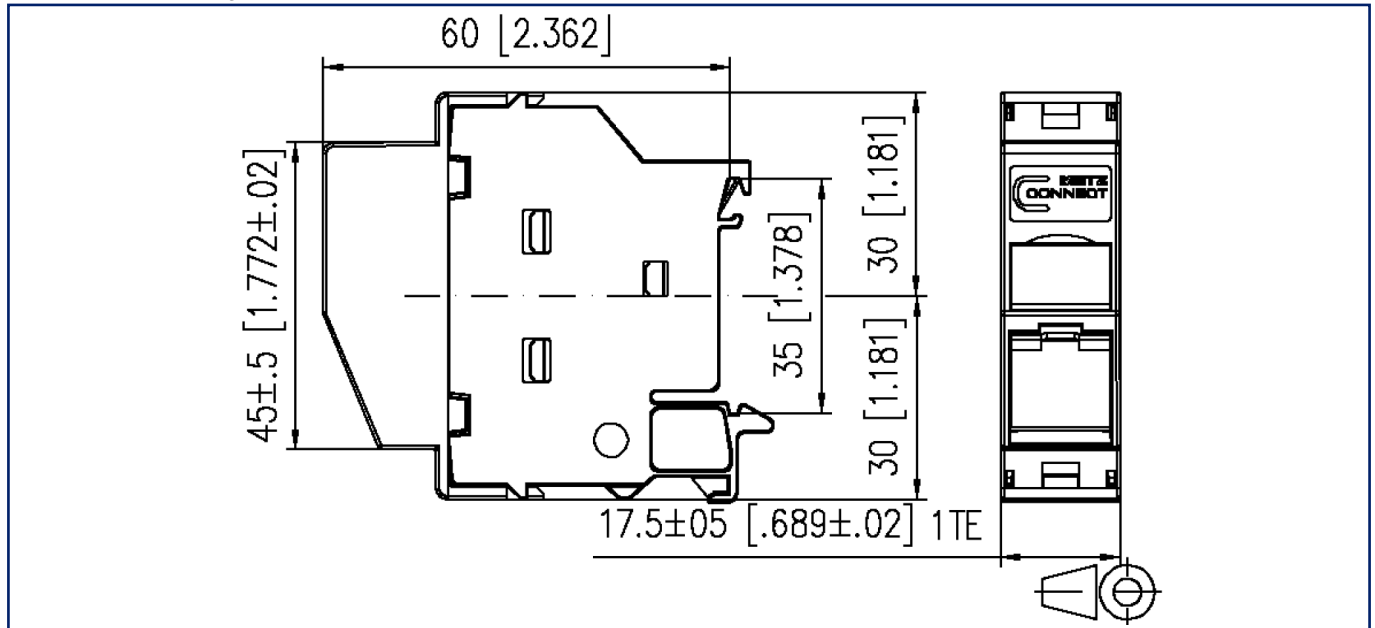
EAN 4250184161516

2024/10/10

Version: S

Illustrations

Dimensional drawing



Cut-out

