

P | Cabling

Data sheet

C6_Amodul 24 port 180°M 1RU

Page 1/9

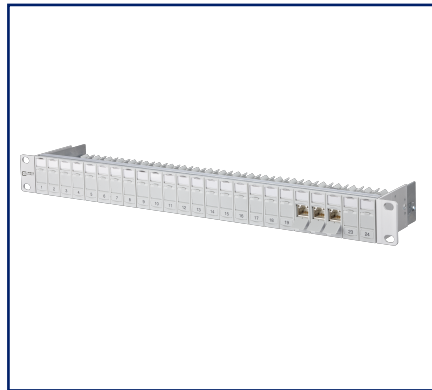
P/N
130B11P0-E

EAN 4250184131601

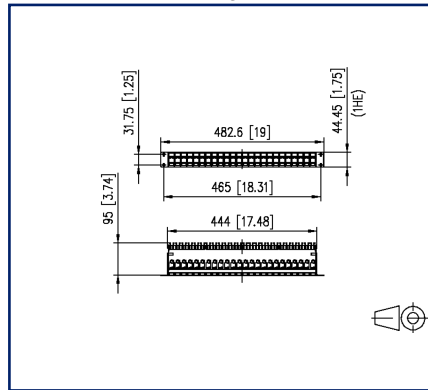
2024/11/12

Version: AD

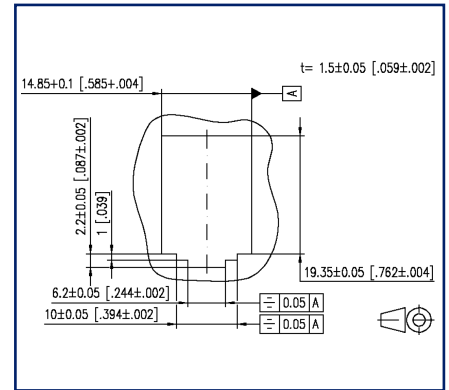
Illustrations



Dimensional drawing



Cut-out



See enlarged drawings at the end of document

Product specification

- 19 inch 1RU module frame with 24 individual modules C6_Amodul 180°
- certified to GHMT Cat.6_A re-embedded PVP
- Cat.6_A component test according to ISO/IEC 11801, DIN EN 50173-1, ANSI/TIA-568.2-D and IEC 60603-7-51, GHMT certified
- compliance with class E_A up to 500 MHz according to ISO/IEC 11801, DIN EN 50173-1
- tested: component up to 600 MHz, link up to 800 MHz
- suitable for 10 GBit Ethernet (IEEE 802.3an), Remote Powering (PoE, PoE plus, UPoE and 4PPoE) and HDBaseT
- connection of data lines AWG 26/1 to 22/1 (solid wire) and AWG 26/7 to 22/7 (stranded wire) to insulation displacement connectors (IDC)
- migration to 25G-systems without special tools
- module frame front made of silver or black anodized aluminum
- plastic module support with dust protection covers (other colors available as accessory), detachable to the front
- integrated cable support with optional strain relief
- label window for enclosed identification labels
- label sheet 210 x 297 mm see accessory
- grounding bolt M6 x 10 with nut and lock washer
- incl. 30 cm grounding cable
- all fully shielded modules connected by means of grounding rail

P | Cabling

Data sheet

Page 2/9

C6_Amodul 24 port 180°M 1RU

P/N

130B11P0-E

EAN 4250184131601

2024/11/12

Version: AD

Technical Data

General Data

Fields of application	structured building cabling office areas Distributed building services data center
Mechanical measurement according to MICE	M1
Ingress measurement according to MICE	I1
Climatic measurement according to MICE	C1
Electromagnetic measurement according to MICE	E2
Design	patch panel
Mounting style	1RU
Shielding	shielded
Transmission technology	Copper
Wiring	T568A, T568B
Color	light gray
Dimensions	
Dimension (L x W x H)	95 mm x 482.6 mm x 44.45 mm
Dimension (L x W x H)	3.74 in. x 19 in. x 1.75 in.
Inches	19 inches
Height unit	1RU
Modularity	yes
Labeling option	label window with identification label + printed numbers
Marking option	by dust protection

Transmission characteristics

Category (ISO)	6 _A
Class (ISO/IEC)	E _A
Category (TIA)	6A
Remote Powering	yes
PoE	IEEE 802.3af
PoE plus	IEEE 802.3at
UPoE	yes
4PPoE	IEEE 802.3bt
HDBaseT	yes
Transmission rate up to 100 MBit (Fast Ethernet)	IEEE 802.3bw



P | Cabling

Data sheet

Page 3/9

C6_Amodul 24 port 180°M 1RU

P/N
130B11P0-E

EAN 4250184131601

2024/11/12

Version: AD

Technical Data

Transmission characteristics

Transmission rate up to 1 GBit (Fast Ethernet)	IEEE 902.3ab
Transmission rate up to 10 GBit	IEEE 802.3an

Connections/interfaces

Connector technology interface 1	IDC-connection
Connector technology interface 2	RJ45-jack
Number of ports interface 2	24
Number of ports interface 2 equipped	24
Number of ports with dust protection interface 2	24
Number of positions/contacts interface 1	24 x 8
Number of positions/contacts interface 2	24 x 8P/8C
Termination data, solid wire (min. - max.)	
Conductor cross section, solid wire	AWG 26/1 - AWG 22/1
Conductor cross section, solid wire	0.128 mm ² - 0.324 mm ²
Conductor diameter, solid wire (bare copper)	0.409 mm - 0.643 mm
Conductor diameter, solid wire (bare copper)	0.016 in. - 0.025 in.
Termination data, stranded wire (min. - max.)	
Conductor cross section, stranded wire	AWG 26/7 - AWG 22/7
Conductor cross section, stranded wire	0.141 mm ² - 0.355 mm ²
Conductor diameter, stranded wire (bare copper)	0.483 mm - 0.762 mm
Conductor diameter, stranded wire (bare copper)	0.019 in. - 0.03 in.
Cable sheath diameter (min. - max.)	
Cable sheath diameter	5.5 mm - 10
Cable sheath diameter	0.197 in. - 0.394
Cable access/outlet	180°
Grounding wire length	0.3 m
Grounding wire length	0.98 ft
Ground connection	grounding bolt M6x10 with nut and lock washer
Shield connection	flexible contact spring

P | Cabling

Data sheet

Page 4/9

C6_Amodul 24 port 180°M 1RU

P/N

130B11P0-E

EAN 4250184131601

2024/11/12

Version: AD

Technical Data

Electrical characteristics

Current carrying capacity	max. 1 A at 60 °C
Rated voltage	max. 60 V DC
Contact resistance	max. 20 mOhm
Through resistance	max. 200 mOhm
Insulation resistance	min. 500 MOhm
Dielectric strength conductor-conductor (secondary)	max. 1000 V DC
Dielectric strength conductor-conductor, peak value (secondary)	max. 1.000 V AC
Dielectric strength conductor-shield	max. 1500 V DC
Dielectric strength conductor-shield, peak value	max. 1500 V AC

Mechanical data

Cut-out	Module
Insertion and withdrawal force	max. 30 N
Life - Number of mating cycles	min. 750
Position/mounting of latch standard installation position	top
strain relief	latching clip

Materials and material properties

Material - Jack housing	GD-Zn
Material - Jack contact	Spring steel
Material - Jack contact finish	AuCo
Material - Jack shield	CuSn6
Material - Stuffer cap	PA 6.6 UL94 V0
Material - Strain relief	ABS
Material - Front cover	Al (Aluminium)
Material - Front cover finish	silver anodized
Material - Module support	ABS
Material - Module support finish	gray
Material - Cable guide	ABS
Material - Dust protection	ABS
Material - Label window	ABS, transparent
Halogen free	yes
RoHS	compliant



P | Cabling

Data sheet

Page 5/9

C6_Amodul 24 port 180°M 1RU

P/N
130B11P0-E

EAN 4250184131601

2024/11/12

Version: AD

Technical Data

Environmental conditions

Temperature (min. - max.)

Temperature - Storage °C	-40 °C - 70 °C
Temperature - Storage °F	-40 °F - 158 °F
Temperature - Operating °C	-40 °C - 70 °C
Temperature - Operating °F	-40 °F - 158 °F

Certifications

GHMT PVP



yes

Standards/Regulations

Generic cabling systems

General requirements	ISO/IEC 11801-1:2017-11 DIN EN 50173-1:2018-10 ANSI/TIA-568.2-D
Office buildings	ISO/IEC 11801-2:2017-11 DIN EN 50173-2:2018-10 ANSI/TIA-568.2-D
Living units	ISO/IEC 11801-4:2017-11 DIN EN 50173-4:2018-10 ANSI/TIA-570-D
Data centers	ISO/IEC 11801-5:2017-11 DIN EN 50173-5:2018-10 ANSI/TIA-942-B
Connectors for electronic equipment	
Free and fixed connectors	DIN EN 60603-7-51:2011-01, DIN EN 60603-7:2019-11, DIN EN 60603-7-1:2012-01
Connectors for electronic equipment - Tests and measurements	
Test standard for connectors (engaging and separating connectors under electrical load)	DIN-EN 60512-99-001, DIN-EN 60512-99-002
Endurance tests	DIN EN 60603-7:2019-11, DIN EN 60603-7-1:2012-01
Climate tests	DIN EN 60603-7:2019-11, DIN EN 60603-7-1:2012-01

P | Cabling

Data sheet

Page 6/9

C6_Amodul 24 port 180°M 1RU

P/N

130B11P0-E

EAN 4250184131601

2024/11/12

Version: AD

Technical Data

Classifications

ETIM 7.0	EC001128
ETIM 8.0	EC001128
ETIM 9.0	EC001128

Packing details

Type of packaging	1 pc(s) / box
Packaging unit - Weight (gram)	1370 g
Packaging unit - Weight (pound)	3.02 lb
Packaging dimension	520 mm x 180 mm x 46 mm
Packaging dimension	20.472 in. x 7.087 in. x 1.811 in.

Application note

This product is a standard product of METZ CONNECT. METZ CONNECT is not aware of the specific intended use of the goods by the Customer or any customers of the Customer. The Customer guarantees that it has fully and sufficiently tested the use of the goods and any product modifications, product changes or product enhancements with regard to the specific intended use in accordance with the state of the art or in any other way. At METZ CONNECT's request, the Customer shall submit and make available meaningful evidence (e.g. test and laboratory protocols, certifications, etc.).



P | Cabling

Data sheet

Page 7/9

C6_Amodul 24 port 180°M 1RU

P/N

130B11P0-E

EAN 4250184131601

2024/11/12

Version: AD

Accessories

P/N	Designation
130792	Mounting kit, cage nuts M6
130898-00-I	BLIND module light gray
130898-00-RW-I	BLIND module pure white
130898-01-I	COAX modul F jack / F jack
130898-02-I	COAX modul IEC jack / F jack
130898-03-I	COAX modul IEC plug / F jack
130908-I-B1	UAE modul Cat.5e white
130909-I	UAE modul Cat.6 jack white
130910-DNV	E-DAT modul Cat.6 _A 8(8) jack, T568A+T568B DNV
130910-I	E-DAT modul Cat.6 _A 8(8) jack
130910-I-B1	E-DAT modul Cat.6 _A 8(8) jack, T568B
130910-Z	E-DAT modul Cat.6 _A 8(8) jack, (12 pcs)
1309A0-I	E-DAT modul coupler 8(8) 180° class E _A
130A11-29-I	UAE modul 8(8) Cat.6 _A black
130A11-I	UAE modul 8(8) Cat.6 _A white
130B11-25-E	25Gmodul
130B11-25-Z	25Gmodul (12 pcs)
130B11-DNV	C6 _A modul 180° jack DNV
130B11-E	C6 _A modul 180° jack
130B11-Z	C6 _A modul 180° jack (12 pcs)
15091001-I	OpDAT modul ST OS2
15091071-I	OpDAT modul LC-Duplex OS2
15091072-I	OpDAT modul LC-Duplex OM3
15091075-I	OpDAT modul LC-Duplex OM4
15091076-I	OpDAT modul LC-Duplex APC OS2
1509107B-I	OpDAT modul LC-Duplex MM
816979-0103-I	Dust protection covers for Modul patch panels subway / REG gray
816979-0105-I	Dust protection covers for Modul patch panels subway / REG yellow
816979-0106-I	Dust protection covers for Modul patch panels subway / REG blue
816979-0107-I	Dust protection covers for Modul patch panels subway / REG green

P | Cabling

Data sheet

Page 8/9

C6_Amodul 24 port 180°M 1RU

P/N

130B11P0-E**EAN 4250184131601**

2024/11/12

Version: AD

Accessories

816979-0108-I	Dust protection covers for Modul patch panels subway / REG red
860211-Z	Cover for MC panel gray
899011-01	Label sheet for Modul patch panels / REG

P | Cabling

Data sheet

C6_Amodul 24 port 180°M 1RU

Page 9/9

P/N

130B11P0-E

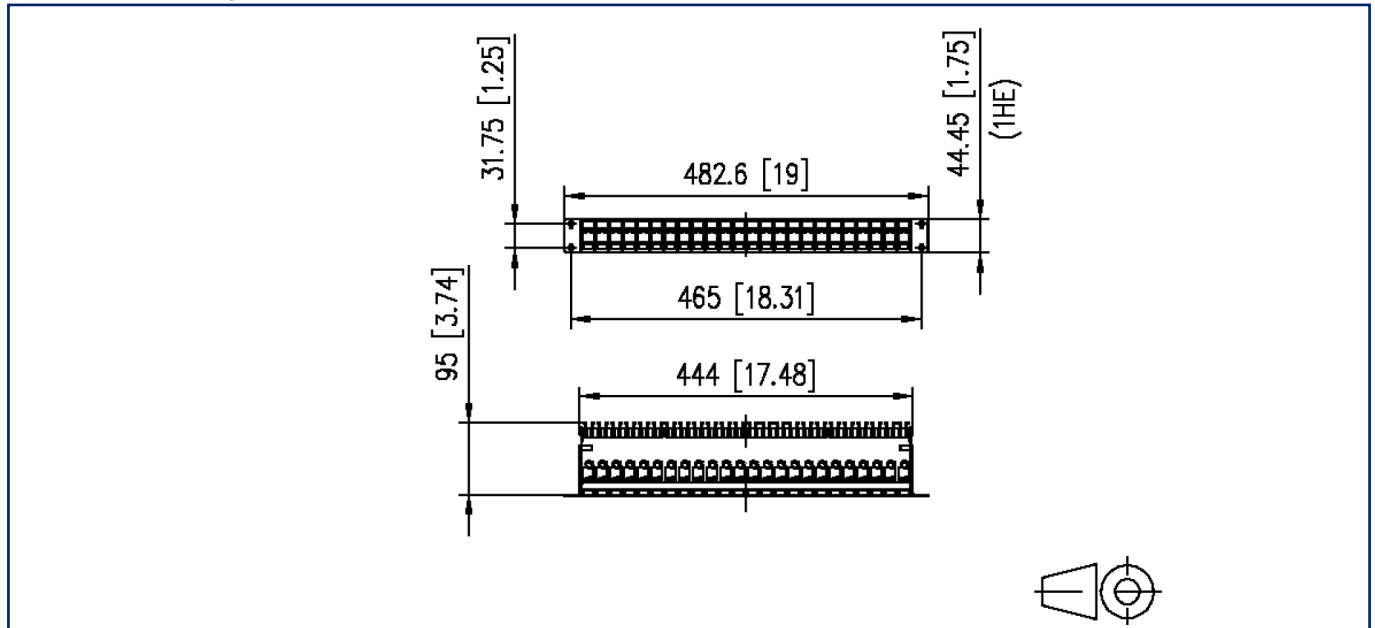
EAN 4250184131601

2024/11/12

Version: AD

Illustrations

Dimensional drawing



Cut-out

