

# Data sheet

## Industry IP67 V4 bulkhead protective cap

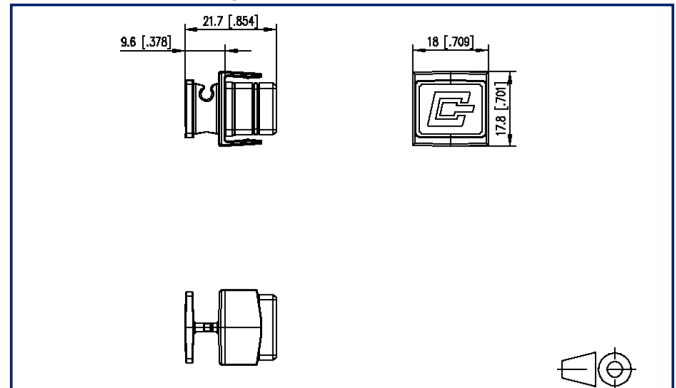
Page 1/5

P/N  
1401048102KI  
EAN 4250184114154  
2025/09/17  
Version: P

### Illustrations



Dimensional drawing



See enlarged drawings at the end of document

### Product specification

- good ingress protection also if not plugged in due to tight IP67 protective cap
- flammability class as per UL 94V-0
- improved resistance to chemical substances
- captive, attached protective cap
- grip to remove it
- variants: protective cap for plug or flange



# Industry IP67 V4 bulkhead protective cap

P/N

1401048102KI

EAN 4250184114154

2025/09/17

Version: P

## Technical Data

### General Data

Fields of application	harsh environment
Mechanical measurement according to MICE	M1
Ingress measurement according to MICE	I1
Climatic measurement according to MICE	C1
Electromagnetic measurement according to MICE	E3
Design	protective cap
Mounting style	Accessories
Color	black
Dimensions	
Dimension (L x W x H)	21.7 mm x 18 mm x 17.8 mm
Dimension (L x W x H)	0.854 in. x 0.709 in. x 0.701 in.

### Connections/interfaces

Protective housing	V4
--------------------	----

### Mechanical data

IP67-protective cap	captive
---------------------	---------

### Materials and material properties

Material	Plastics
Halogen free	yes
RoHS	compliant

### Environmental conditions

Temperature (min. - max.)	
Temperature - Storage °C	-40 °C - 70 °C
Temperature - Storage °F	-40 °F - 158 °F
Temperature - Operating °C	-40 °C - 70 °C
Temperature - Operating °F	-40 °F - 158 °F
Particulate ingress	IP6X
Liquid ingress/immersion	IPX7
Increased chemical resistance	yes
General information	This product is suitable for use in industrial environments inside buildings with IPxy protection class according to DIN EN 60529 specified in this data sheet. Not specified for outdoor applications.

Data sheet

Page 3/5

**Industry IP67 V4 bulkhead protective cap**

P/N

1401048102KI

EAN 4250184114154

2025/09/17

Version: P

**Technical Data****Standards/Regulations**

Degrees of Protection Provided by Enclosures	IEC 60529
--	-----------

**Classifications**

ETIM 7.0	EC002314
ETIM 8.0	EC002314
ETIM 9.0	EC002314
ETIM 10.0	EC002314

**Packing details**

Type of packaging	10 pc(s) / box
-------------------	----------------

**Application note**

This product is a standard product of METZ CONNECT. METZ CONNECT is not aware of the specific intended use of the goods by the Customer or any customers of the Customer. The Customer guarantees that it has fully and sufficiently tested the use of the goods and any product modifications, product changes or product enhancements with regard to the specific intended use in accordance with the state of the art or in any other way. At METZ CONNECT's request, the Customer shall submit and make available meaningful evidence (e.g. test and laboratory protocols, certifications, etc.).



Data sheet

Page 4/5

**Industry IP67 V4 bulkhead protective cap**

P/N

1401048102KI

EAN 4250184114154

2025/09/17

Version: P

**Accessories from**

P/N	Designation
1401043302KE	Industry IP67 V4 bulkhead
1401143312KE	E-DAT Industry IP67 V4 bulkhead + RJ45 field jack insert Cat.6 Class E <sub>A</sub> , T568A
1401243312KE	E-DAT Industry IP67 V4 bulkhead + RJ45 coupler insert Cat.6 Class E <sub>A</sub>
1402143322KE	OpDAT Industry IP67 V4 bulkhead + SC-RJ/2SC MM adapter insert
1402343322KE	OpDAT Industry IP67 41 bulkhead + LC-D MM adapter insert
1402K43322KE	OpDAT Industry IP67 V4 bulkhead + SC-RJ/2SC SM adapter insert
1402L43322KE	OpDAT Industry IP67 V4 bulkhead + LC-D SM adapter insert



Data sheet  
Industry IP67 V4 bulkhead protective cap

Page 5/5

P/N  
1401048102KI  
EAN 4250184114154  
2025/09/17  
Version: P

**Illustrations**

Dimensional drawing

