

# Data sheet

Page 1/5

## E-DAT Industry IP67 V14 plug housing for FO unequipped

P/N

14010850F0ME

EAN 4250184123699

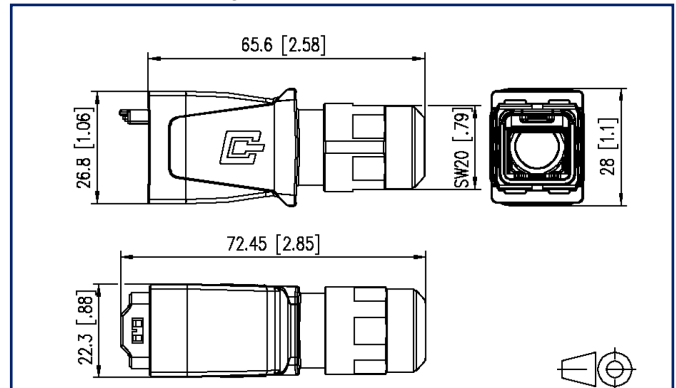
2025/09/17

Version: V

### Illustrations



Dimensional drawing



See enlarged drawings at the end of document

### Product specification

- plug housing with push-pull-lock acc. to ISO/IEC 24702 and IEC 61076-3-117 var. 14
- IP67 protected housing to hold OpDAT Industry plug inserts
- increased diameter range of 10 mm for connection of cable jackets
- resistant to welding sputter
- industry-compatible metal housing with improved durability
- flammability class as per UL 94V-0
- improved resistance to chemical substances
- snap-on clip for color coding after assembly
- cable can be pushed through preassembled plug housing
- matching plug inserts OpDAT Industry 2LC plug insert, OpDAT Industry 2SC plug insert
- variants: plug housing, bend-protected plug housing



# E-DAT Industry IP67 V14 plug housing for FO unequipped

P/N  
**14010850F0ME**  
**EAN 4250184123699**  
 2025/09/17  
 Version: V

## Technical Data

### General Data

Fields of application	harsh environment
Mechanical measurement according to MICE	M1
Ingress measurement according to MICE	I1
Climatic measurement according to MICE	C1
Electromagnetic measurement according to MICE	E3
Design	plug housing
Color	metallike
Dimensions	
Dimension (L x W x H)	65.6 mm x 22.3 mm x 28 mm
Dimension (L x W x H)	2.583 in. x 0.878 in. x 1.102 in.
Labeling option	on housing
Marking option	by latching clip

### Connections/interfaces

Number of ports interface 2	1
Number of ports interface 2 equipped	0
Protective housing interface 1	V14
Protective housing interface 2	V14
Cable sheath diameter (min. - max.)	
Cable sheath diameter	5 mm - 10.00
Cable sheath diameter	0.197 in. - 0.394
Module plug-in direction	straight
Cable access/outlet	180°

### Materials and material properties

Material - Protective housing	GD-Zn
Material - Protective housing finish	Ni (nickel)
RoHS	compliant

# E-DAT Industry IP67 V14 plug housing for FO unequipped

P/N  
**14010850F0ME**  
**EAN 4250184123699**  
 2025/09/17  
 Version: V

## Technical Data

Environmental conditions	
Temperature (min. - max.)	
Temperature - Storage °C	-40 °C - 70 °C
Temperature - Storage °F	-40 °F - 158 °F
Temperature - Operating °C	-40 °C - 70 °C
Temperature - Operating °F	-40 °F - 158 °F
Particulate ingress	IP6X
Liquid ingress/immersion	IPX7
Resistance to welding beads	yes
Increased robustness	yes
Increased chemical resistance	yes
General information	This product is suitable for use in industrial environments inside buildings with IPxy protection class according to DIN EN 60529 specified in this data sheet. Not specified for outdoor applications.

Standards/Regulations	
Generic cabling systems	
Industrial area	ISO/IEC 24702
Degrees of Protection Provided by Enclosures	IEC 60529
Connectors for electronic equipment	
Rectangular connectors	DIN EN 61076-3-117

Classifications	
ETIM 7.0	EC000437
ETIM 8.0	EC000437
ETIM 9.0	EC000437
ETIM 10.0	EC000437

Packing details	
Type of packaging	10 pc(s) / box

**Application note**

This product is a standard product of METZ CONNECT. METZ CONNECT is not aware of the specific intended use of the goods by the Customer or any customers of the Customer. The Customer guarantees that it has fully and sufficiently tested the use of the goods and any product modifications, product changes or product enhancements with regard to the specific intended use in accordance with the state of the art or in any other way. At METZ CONNECT's request, the Customer shall submit and make available meaningful evidence (e.g. test and laboratory protocols, certifications, etc.).

## E-DAT Industry IP67 V14 plug housing for FO unequipped

P/N

14010850F0ME

EAN 4250184123699

2025/09/17

Version: V

### Accessories

P/N	Designation
1401009001-I	""Industry color coding ring V1/V4/V14 orange""
1401009003-I	""Industry color coding ring V1/V4/V14 light grey""
1401009004-I	""Industry color coding ring V1/V4/V14 white""
1401009005-I	""Industry color coding ring V1/V4/V14 yellow""
1401009006-I	""Industry color coding ring V1/V4/V14 blue""
1401009007-I	""Industry color coding ring V1/V4/V14 green""
1401088002KI	E-DAT Industry IP67 V14 plug protection cap
1402500822-I	OpDAT Industry 2SC MM plug insert
1402600822-I	OpDAT Industry 2SC SM plug insert
1402700822-I	OpDAT Industry 2SC POF plug insert
1402800820-I	OpDAT Industry 2LC MM plug insert
1402900820-I	OpDAT Industry 2LC SM plug insert



# E-DAT Industry IP67 V14 plug housing for FO unequipped

P/N  
14010850F0ME  
EAN 4250184123699  
2025/09/17  
Version: V

## Illustrations

Dimensional drawing

