

Data sheet

E-DAT Industry terminal rail TS35 + RJ45 field jack insert Cat.6 Class E_A, PROFINET

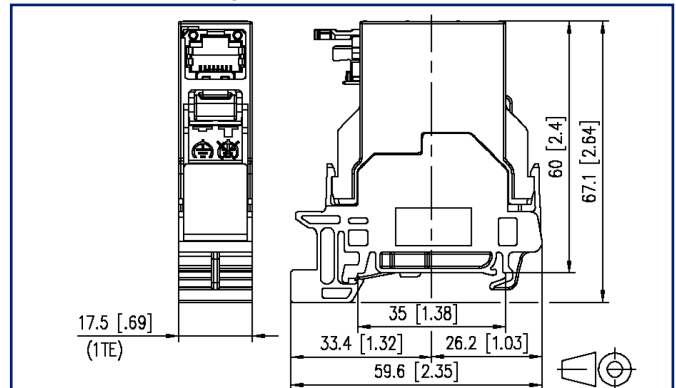
Page 1/7

P/N
1401906113KE
EAN 4250184119166
2024/10/02
Version: AG

Illustrations



Dimensional drawing



See enlarged drawings at the end of document

Product specification

- termination unit for mounting on TH35 rails to DIN EN 60715 in electrical distribution panels for home and industrial installations
- equipped with E-DAT Industry RJ45 field jack insert
- vertical plugging direction, 90° to rail
- compliance with class E_A according to ISO/IEC 11801, DIN EN 50173-1
- suitable for 10 GBit Ethernet (IEEE 802.3an), Remote Powering (PoE, PoE plus, UPoE) and HDBaseT
- easy to install connection of 2 to 4 pair data lines AWG 24/1 - 22/1 and stranded wires with 7 copper conductors AWG 26/7 to BTR 8-fold insulation displacement connectors (IDC)
- width of 1HP allows mounting up to 12 units in a standard electrical distribution panel
- When mounted as a device of protection class I, the equipotential bonding is realized directly over the top hat rail by means of a switchable integrated equipotential spring. This has to be connected to the equipotential bonding of the building by means of a bonding terminal
- variants: pin assignment to T568A, T568B or PROFINET



E-DAT Industry terminal rail TS35 + RJ45 field jack insert Cat.6 Class E_A, PROFINET

P/N
1401906113KE
EAN 4250184119166
2024/10/02
Version: AG

Technical Data

General Data

| | |
|---|--|
| Fields of application | office areas |
| Mechanical measurement according to MICE | M1 |
| Ingress measurement according to MICE | I1 |
| Climatic measurement according to MICE | C1 |
| Electromagnetic measurement according to MICE | E2 |
| Design | wall outlet |
| Mounting style | Standard rail TH35 |
| Shielding | shielded |
| Transmission technology | Copper |
| Wiring | Profinet |
| Color | light gray |
| Dimensions | |
| Dimension (L x W x H) | 59.6 mm x 17.5 mm x 67.1 mm |
| Dimension (L x W x H) | 2.346 in. x 0.689 in. x 2.642 in. |
| Horizontal pitch | 1HP |
| Labeling option | label window with identification label |
| Marking option | by dust protection |

Transmission characteristics

| | |
|---------------------------------|----------------|
| Category (ISO) | 6 |
| Class (ISO/IEC) | E _A |
| Category (TIA) | 6 |
| Remote Powering | yes |
| PoE | IEEE 802.3af |
| PoE plus | IEEE 802.3at |
| UPoE | yes |
| HDBaseT | yes |
| Transmission rate up to 10 GBit | IEEE 802.3an |

E-DAT Industry terminal rail TS35 + RJ45 field jack insert Cat.6 Class E_A, PROFINET

P/N
1401906113KE
EAN 4250184119166
2024/10/02
Version: AG

Technical Data

Connections/interfaces

| | |
|---|---|
| Connector technology interface 1 | IDC-connection |
| Connector technology interface 2 | RJ45-jack |
| Number of ports interface 2 | 1 |
| Number of ports interface 2 equipped | 1 |
| Number of positions/contacts interface 1 | 8 |
| Number of positions/contacts interface 2 | 8P/8C |
| Termination data, solid wire (min. - max.) | |
| Conductor cross section, solid wire | AWG 26/1 - AWG 22/1 |
| Conductor cross section, solid wire | 0.128 mm ² - 0.324 mm ² |
| Conductor diameter, solid wire (bare copper) | 0.409 mm - 0.643 mm |
| Conductor diameter, solid wire (bare copper) | 0.016 in. - 0.025 in. |
| Termination data, stranded wire (min. - max.) | |
| Conductor cross section, stranded wire | AWG 26/7 - AWG 22/7 |
| Conductor cross section, stranded wire | 0.141 mm ² - 0.355 mm ² |
| Conductor diameter, stranded wire (bare copper) | 0.483 mm - 0.762 mm |
| Conductor diameter, stranded wire (bare copper) | 0.019 in. - 0.03 in. |
| Core diameter (min. - max.) | |
| Core diameter (conductor with insulation) | 0.85 mm - 1.6 mm |
| Core diameter (conductor with insulation) | 0.033 in. - 0.063 in. |
| Module plug-in direction | vertical |

Electrical/ optical properties

| | |
|---|----------------|
| Current carrying capacity | max. 1 A |
| Contact resistance | max. 20 mOhm |
| Insulation resistance | min. 500 MOhm |
| Dielectric strength conductor-conductor (secondary) | min. 1000 V DC |

Mechanical data

| | |
|--|-----------|
| Insertion and withdrawal force | max. 30 N |
| Position/mounting of latch standard installation position | top |

E-DAT Industry terminal rail TS35 + RJ45 field jack insert Cat.6 Class E_A, PROFINET

P/N
1401906113KE
EAN 4250184119166
2024/10/02
Version: AG

Technical Data

Materials and material properties

| | |
|---|--------------------------|
| Material - Housing | GD-Zn |
| Material - Housing finish | CuSnZn |
| Material - Cover part(s) | PA66 |
| Material - Lower housing | PA66 |
| Material - Label window | ABS, transparent |
| Material - Dust protection | ABS |
| Material - Contact | Spring steel |
| Material - Contact finish | Ni + Au (nickel-gold) |
| Material - Insulation displacement contacts | CuNi2Si |
| Material - Finish of insulation displacement contacts | Sn |
| Material - Shield | Cu-Ni-Zn (nickel silver) |
| Material - Stuffer cap | PC UL94 V0 |
| Material - Insulating body | PC UL94 V0 |
| Material - Finish | Ni (nickel) |
| Material - Ground connection | CuSn4 |
| RoHS | compliant |

Environmental conditions

| | |
|-----------------------------|--|
| Temperature (min. - max.) | |
| Temperature - Storage °C | -40 °C - 70 °C |
| Temperature - Storage °F | -40 °F - 158 °F |
| Temperature - Operating °C | -40 °C - 70 °C |
| Temperature - Operating °F | -40 °F - 158 °F |
| Rapid change of temperature | -40°C / -40°F - +70°C / 158°F / 25 cycles t=30 min |
| Damp heat | +25°C / +77°F / +65°C / +149°F / 93% RH // -10°C / -14°F / 21 cycles |
| Flowing mixed gas | +25 °C / +77°F / 73% RH / 4 days, H2S / SO2 |
| Vibration | 50 m/s ² |
| Shock | 250 m/s ² |

P | Cabling

Data sheet

Page 5/7

E-DAT Industry terminal rail TS35 + RJ45 field jack insert Cat.6 Class E_A, PROFINET

P/N

1401906113KE

EAN 4250184119166

2024/10/02

Version: AG

Technical Data

Standards/Regulations

Generic cabling systems

| | |
|----------------------|--------------|
| General requirements | ANSI/TIA-568 |
|----------------------|--------------|

Application-specific communications cabling systems

| | |
|----------|-----|
| Profinet | yes |
|----------|-----|

| | |
|--|---------|
| UL standard for Communications-Circuit Accessories | UL 1863 |
|--|---------|

Connectors for electronic equipment

| | |
|---------------------------|---------------------------|
| Free and fixed connectors | DIN EN 60603-7-51:2011-01 |
|---------------------------|---------------------------|

Interference proof

| | |
|--------------------------------------|--------------------------|
| Immunity for industrial environments | DIN EN 61000-6-2:2006-03 |
|--------------------------------------|--------------------------|

| | |
|---------------|--------------|
| Climate tests | IEC 60512-11 |
|---------------|--------------|

Classifications

| | |
|----------|----------|
| ETIM 7.0 | EC001024 |
|----------|----------|

| | |
|----------|----------|
| ETIM 8.0 | EC001024 |
|----------|----------|

| | |
|----------|----------|
| ETIM 9.0 | EC001024 |
|----------|----------|

Packing details

| | |
|-------------------|----------------|
| Type of packaging | 10 pc(s) / box |
|-------------------|----------------|

| | |
|--------------------------------|-------|
| Packaging unit - Weight (gram) | 430 g |
|--------------------------------|-------|

| | |
|---------------------------------|---------|
| Packaging unit - Weight (pound) | 0.95 lb |
|---------------------------------|---------|

| | |
|---------------------|-------------------------|
| Packaging dimension | 250 mm x 105 mm x 89 mm |
|---------------------|-------------------------|

| | |
|---------------------|-----------------------------------|
| Packaging dimension | 9.843 in. x 4.134 in. x 3.504 in. |
|---------------------|-----------------------------------|

Application note

This product is a standard product of METZ CONNECT. METZ CONNECT is not aware of the specific intended use of the goods by the Customer or any customers of the Customer. The Customer guarantees that it has fully and sufficiently tested the use of the goods and any product modifications, product changes or product enhancements with regard to the specific intended use in accordance with the state of the art or in any other way. At METZ CONNECT's request, the Customer shall submit and make available meaningful evidence (e.g. test and laboratory protocols, certifications, etc.).

Data sheet

Page 6/7

E-DAT Industry terminal rail TS35 + RJ45 field jack insert Cat.6 Class E_A, PROFINET

P/N

1401906113KE

EAN 4250184119166

2024/10/02

Version: AG

Accessories

| P/N | Designation |
|--------------|--|
| 1401100810MI | E-DAT Industry RJ45 field jack insert Cat.6 Class E _A , T568A |
| 1401200810MI | E-DAT Industry RJ45 coupler insert Class E |
| 1401800810MI | E-DAT Industry RJ45 field jack insert Cat.6 Class E _A , T568B |
| 1401U00812KI | E-DAT Industry USB A 2.0 adapter insert |
| 1401U10812KI | E-DAT Industry USB A 3.0 adapter insert |

© 2024 METZ CONNECT - Technische Änderungen vorbehalten! Subject to modifications! Sous réserve de modifications techniques!



P | Cabling

Data sheet

Page 7/7

E-DAT Industry terminal rail TS35 + RJ45 field jack insert Cat.6 Class E_A, PROFINET

P/N

1401906113KE

EAN 4250184119166

2024/10/02

Version: AG

Illustrations

Dimensional drawing

