

Data sheet

E-DAT Industry terminal rail TS35 + E-DAT Industry USB A 2.0 coupler insert

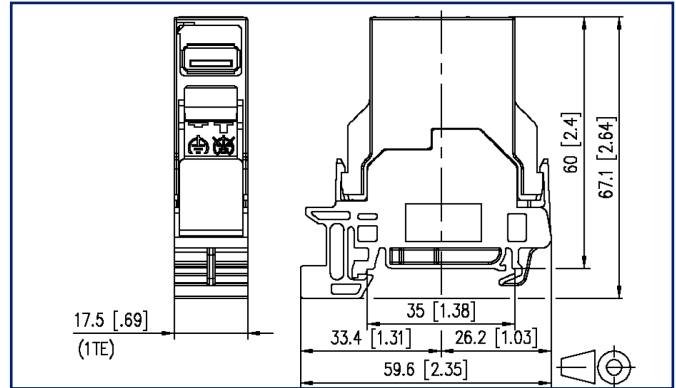
Page 1/5

P/N
1401U06113KE
EAN 4250184119074
2024/10/02
Version: AA

Illustrations



Dimensional drawing



See enlarged drawings at the end of document

Product specification

- termination unit for mounting on TH35 rails to DIN EN 60715 in electrical distribution panels for home and industrial installations
- equipped with USB-A coupler
- USB 2.0
- vertical plugging direction, 90° to rail
- width of 1HP allows mounting up to 12 units in a standard electrical distribution panel



E-DAT Industry terminal rail TS35 + E-DAT Industry USB A 2.0 coupler insert

P/N
1401U06113KE
EAN 4250184119074
2024/10/02
Version: AA

Technical Data

General Data

Fields of application	office areas
Mechanical measurement according to MICE	M1
Ingress measurement according to MICE	I1
Climatic measurement according to MICE	C1
Electromagnetic measurement according to MICE	E1
Design	wall outlet
Mounting style	Standard rail TH35
Transmission technology	Copper
Color	light gray
Dimensions	
Dimension (L x W x H)	59.6 mm x 17.5 mm x 67.1 mm
Dimension (L x W x H)	2.346 in. x 0.689 in. x 2.642 in.
Horizontal pitch	1HP
Installation depth	60 mm
Installation depth	2.362 in.
Installation Height	34 mm
Installation Height	1.339 in.

Connections/interfaces

Connector technology interface 1	USB coupler type A
Connector technology interface 2	USB coupler type A
Number of ports interface 1	1
Number of ports interface 2	1
Number of equipped ports interface 1	1
Number of ports interface 2 equipped	1
Module plug-in direction	vertical

Materials and material properties

RoHS	compliant
------	-----------

P | Cabling

Data sheet

Page 3/5

E-DAT Industry terminal rail TS35 + E-DAT Industry USB A 2.0 coupler insert

P/N
1401U06113KE
EAN 4250184119074
2024/10/02
Version: AA

Technical Data

Environmental conditions

Temperature (min. - max.)

Temperature - Storage °C	-40 °C - 70 °C
Temperature - Storage °F	-40 °F - 158 °F
Temperature - Operating °C	-40 °C - 70 °C
Temperature - Operating °F	-40 °F - 158 °F

Particulate ingress	IP2X
Liquid ingress/immersion	IPX0

Standards/Regulations

Dimensions of low-voltage switchgear and controlgear	DIN EN 60715
--	--------------

Classifications

ETIM 7.0	EC001024
ETIM 8.0	EC001024
ETIM 9.0	EC001024

Packing details

Type of packaging	10 pc(s) / box
Packaging unit - Weight (gram)	330 g
Packaging unit - Weight (pound)	0.73 lb
Packaging dimension	250 mm x 105 mm x 89 mm
Packaging dimension	9.843 in. x 4.134 in. x 3.504 in.

Application note

This product is a standard product of METZ CONNECT. METZ CONNECT is not aware of the specific intended use of the goods by the Customer or any customers of the Customer. The Customer guarantees that it has fully and sufficiently tested the use of the goods and any product modifications, product changes or product enhancements with regard to the specific intended use in accordance with the state of the art or in any other way. At METZ CONNECT's request, the Customer shall submit and make available meaningful evidence (e.g. test and laboratory protocols, certifications, etc.).

P | Cabling

Data sheet

Page 4/5

E-DAT Industry terminal rail TS35 + E-DAT Industry USB A 2.0 coupler insert

P/N

1401U06113KE

EAN 4250184119074

2024/10/02

Version: AA

Accessories

P/N	Designation
1401100810MI	E-DAT Industry RJ45 field jack insert Cat.6 Class E _A , T568A
1401200810MI	E-DAT Industry RJ45 coupler insert Class E
1401800810MI	E-DAT Industry RJ45 field jack insert Cat.6 Class E _A , T568B
1401U00812KI	E-DAT Industry USB A 2.0 adapter insert
1401U10812KI	E-DAT Industry USB A 3.0 adapter insert



P | Cabling

Data sheet

Page 5/5

E-DAT Industry terminal rail TS35 + E-DAT Industry USB A 2.0 coupler insert

P/N
1401U06113KE
EAN 4250184119074
2024/10/02
Version: AA

Illustrations

Dimensional drawing

