

# Data sheet

**M12 Industrial Ethernet cable, D-coded, 10.0 m,  
M12 plug straight - RJ45 plug straight, drag chain, PUR**

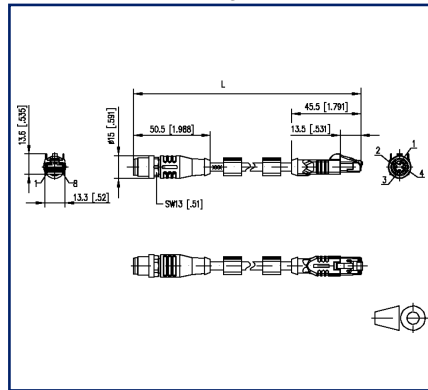
Page 1/8

P/N  
142M1D15100  
EAN 4250184198413  
2025/09/17  
Version: AW

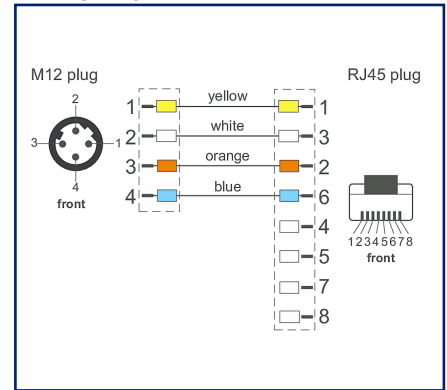
## Illustrations



Dimensional drawing



Wiring diagram



See enlarged drawings at the end of document

## Product specification

Shielded PUR cable for safe and industrial data transmission in automation and fieldbus technology. The cable is CMX-verified and complies with Cat5e (electrical properties based on EN50288-2-1). Materials and constructional design allow increased mechanical stress (abrasion, bending, vibrations etc.) of the cable. Use in drag chains with up to 3 million bending cycles is possible without risk. Special properties: flame retardant, seawater resistant, recyclable, LABS-free, RoHS compliant, acid and alkali resistant, ozone resistant, UV resistant, hydrolysis resistant, drag chain compatible, halogen free, oil resistant, high flexibility, microbe resistant, UN ECER118, PROFINET Type C.

- Standard variants: 1.0 m, 2.0 m, 5.0 m, 10.0 m.
- Other cable lengths on request.



**M12 Industrial Ethernet cable, D-coded, 10.0 m,  
M12 plug straight - RJ45 plug straight, drag chain, PUR**

P/N  
142M1D15100  
EAN 4250184198413  
2025/09/17  
Version: AW

**Technical Data**

General Data	
Fields of application	Industrial Ethernet
Design	Ethernet-Connection line
Shielding	shielded
Transmission technology	Copper
Cable Type	SF/FTP
Number of twisting elements	2
Twisting element	Pair
Wiring	Profinet
Color coding fiber/ wire(s)	yellow, white, orange, blue
Color	green
Dimensions	
Dimension - Interface 1 (L x W x H)	50.5 mm x 15 mm x 15 mm
Dimension - Interface 1 (L x W x H)	1.988 in. x 0.591 in. x 0.591 in.
Dimension - Interface 2 (L x W x H)	45.5 mm x 13.3 mm x 13.6 mm
Dimension - Interface 2 (L x W x H)	1.791 in. x 0.524 in. x 0.535 in.
Cable length (m)	10 m
Cable length (ft)	32.81 ft
Labeling option	identification label carrier

Transmission characteristics	
Category (ISO)	5e
Transmission rate up to 100 MBit (Fast Ethernet)	IEEE 802.3u

Connections/interfaces	
Connector technology interface 1	M12-plug
Connector technology interface 2	RJ45 plug
Coding interface 1	D-coded
Number of positions/contacts interface 1	4
Number of positions/contacts interface 2	8P/4C

**M12 Industrial Ethernet cable, D-coded, 10.0 m,  
M12 plug straight - RJ45 plug straight, drag chain, PUR**

P/N  
142M1D15100  
EAN 4250184198413  
2025/09/17  
Version: AW

**Technical Data**

**Connections/interfaces**

Termination data, stranded wire (min. - max.)

Conductor cross section, stranded wire	AWG 22/7
Conductor diameter, stranded wire (bare copper)	0.75 mm
Conductor diameter, stranded wire (bare copper)	0.03 in.
Cable sheath diameter (min. - max.)	
Cable sheath diameter	6.5 mm
Cable sheath diameter	0.236 in.

**Electrical characteristics**

Current carrying capacity	1 A at 40 °C
Rated voltage	60 V DC
UL rating (cable)	600 V
Insulation resistance	min. 100 MOhm

**Mechanical data**

Life - Number of mating cycles	min. 100
Bending radius without load	min. 49 mm
Maximum operating bending radius	26 mm
Maximum operating bending radius	1.024 in.
Maximum installation load	52 mm
Maximum installation load	2.047 in.
Number of alternating bending cycles (mechanical resistance) at:	3 million bending cycles
Alternating bending radius	100 mm
velocity	4 m/s
acceleration	4 m/s <sup>2</sup>
Shielding braid coverage	85 %
Installation method	PROFINET type C

**M12 Industrial Ethernet cable, D-coded, 10.0 m,  
M12 plug straight - RJ45 plug straight, drag chain, PUR**

P/N  
142M1D15100  
EAN 4250184198413  
2025/09/17  
Version: AW

**Technical Data**

Materials and material properties	
Material - Conductor	Cu (copper)
Material - Conductor Insulation	Polyethylene
Material - Cable jacket	PUR
Material - Inner cable jacket	FRNC, with an aluminized film
Material - Body interface 1	Plastics
Material - Body interface 2	Plastics
Material - Contact interface 1	CuZnPb (brass)
Material - Contact interface 2	CuZnPb (brass)
Material - Contact finish interface 1	Au (gold)
Material - Contact finish interface 2	Au (gold)
Material - Contact carriers interface 1	Plastics
Material - Contact carriers interface 2	Plastics
Material - Union nut interface 1	CuZnPb (brass)
Material - Union nut finish interface 1	Ni (nickel)
Material - Pair shield	plastic film
Material - Pair shield finish	Al (Aluminium)
Material - Main shield	Cu (copper) braid
Material - Main shield finish	Sn
Flame retardancy	according to IEC 60332-1-2
Halogen free	yes
Oil resistance	yes
UV-resistance	yes
drag chain suitable	yes
RoHS	compliant

**Environmental conditions**

Temperature (min. - max.)	
Temperature - Operating °C	-30 °C - 70 °C
Temperature - Operating °F	-22 °F - 158 °F
Particulate ingress interface 1	IP6X when plugged in
Liquid ingress/immersion interface 1	IPX5, IPX7, IPX8 when plugged in
Particulate ingress interface 2	IP2X when plugged in
Liquid ingress/immersion interface 2	IPX0 when plugged in

Data sheet

Page 5/8

**M12 Industrial Ethernet cable, D-coded, 10.0 m,  
M12 plug straight - RJ45 plug straight, drag chain, PUR**

P/N  
142M1D15100  
EAN 4250184198413  
2025/09/17  
Version: AW

**Technical Data**

**Environmental conditions**

Pollution degree interface 1	3
Pollution degree interface 2	1

**Approvals**

UL listed (file no.)		DUXR.E178484
----------------------	--	--------------

**Standards/Regulations**

Generic cabling systems	
General requirements	ISO/IEC 11801-1   DIN EN 50173-1
Profinet	yes
Connectors for electronic equipment	
Free and fixed connectors	DIN EN 60603-7
circular connector	DIN EN 61076-2-101
Multi-element metallic cables used in analogue and digital communication and control	DIN EN 50288-2-1
Common test methods for cables under fire conditions	
UN ECE-R 118.01	R118
Test for vertical flame propagation for a single insulated wire or cable	IEC 60332-1-2
Measurement of smoke density of cables burning	DIN EN 61034

**Classifications**

ETIM 7.0	EC002599
ETIM 8.0	EC002599
ETIM 9.0	EC002599
ETIM 10.0	EC002599

**Packing details**

Type of packaging	1 pc(s) / plastic bag
-------------------	-----------------------

Data sheet

Page 6/8

**M12 Industrial Ethernet cable, D-coded, 10.0 m,  
M12 plug straight - RJ45 plug straight, drag chain, PUR**

P/N

142M1D15100

EAN 4250184198413

2025/09/17

Version: AW

**Technical Data****Application note**

This product is a standard product of METZ CONNECT. METZ CONNECT is not aware of the specific intended use of the goods by the Customer or any customers of the Customer. The Customer guarantees that it has fully and sufficiently tested the use of the goods and any product modifications, product changes or product enhancements with regard to the specific intended use in accordance with the state of the art or in any other way. At METZ CONNECT's request, the Customer shall submit and make available meaningful evidence (e.g. test and laboratory protocols, certifications, etc.).



Data sheet

Page 7/8

**M12 Industrial Ethernet cable, D-coded, 10.0 m,  
M12 plug straight - RJ45 plug straight, drag chain, PUR**

P/N

142M1D15100

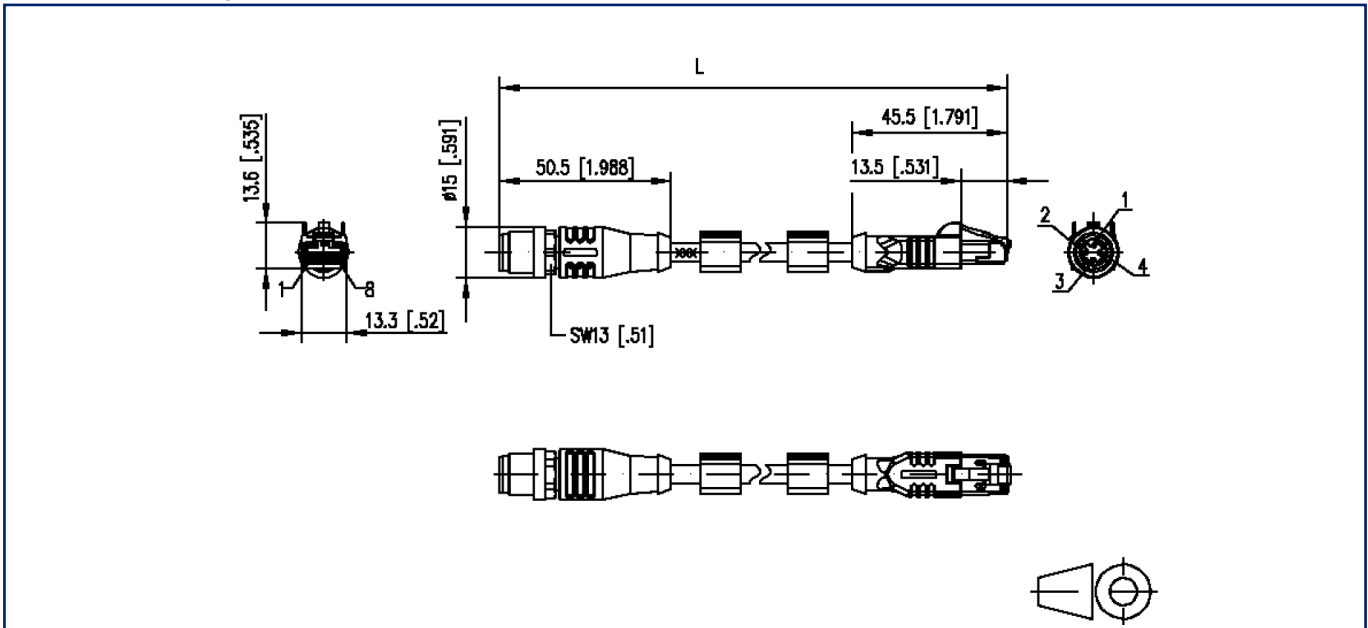
EAN 4250184198413

2025/09/17

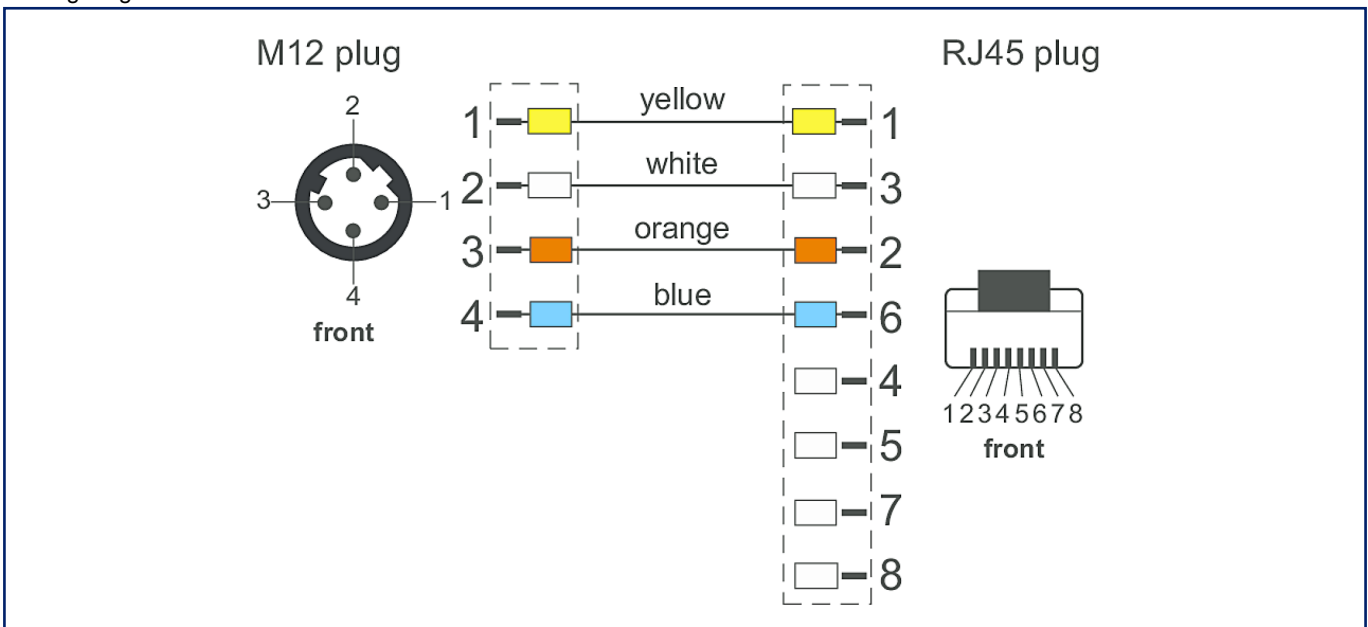
Version: AW

**Illustrations**

Dimensional drawing



Wiring diagram



Data sheet

Page 8/8

**M12 Industrial Ethernet cable, D-coded, 10.0 m,  
M12 plug straight - RJ45 plug straight, drag chain, PUR**

P/N

142M1D15100

EAN 4250184198413

2025/09/17

Version: AW

## Illustrations

Principle diagram

