

# Data sheet

## M12 Industrial Ethernet cable, X-coded, 2.0 m, M12 plug straight - M12 jack straight, PUR

Page 1/7

P/N

142M2X12020

EAN 4250184198345

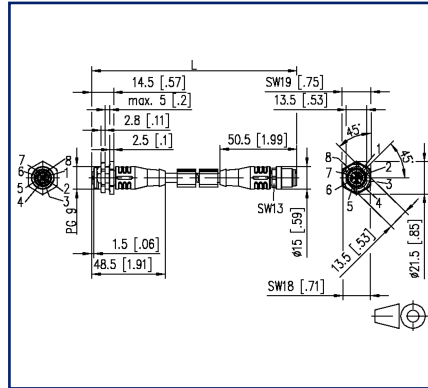
2025/09/17

Version: AY

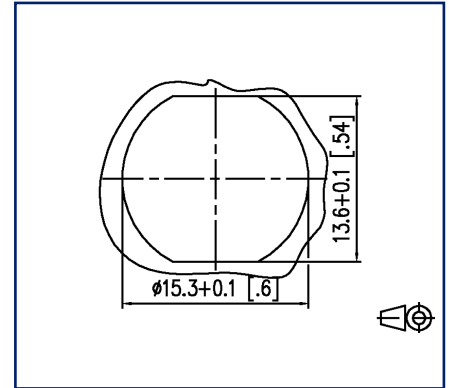
### Illustrations



Dimensional drawing



Cut-out



See enlarged drawings at the end of document

### Product specification

Shielded PUR cable for safe and industrial data transmission in automation and fieldbus technology. The cable meets the requirements of ULStyle 20963 and complies with Cat7 (electrical properties based on EN50288-4-2). Materials and design allow increased mechanical stress (abrasion, bending, vibration, etc.) of the cable. Special properties: UL style 20963, seawater resistant, recyclable, LABS free, RoHS compliant, acid and alkali resistant, UV resistant, hydrolysis resistant, halogen free, oil resistant, high flexibility, no corrosive gases, microbe resistant, no fire propagation.

- Standard variants: 1.0 m, 2.0 m, 5.0 m, 10.0 m.
- Other cable lengths on request.



Data sheet

**M12 Industrial Ethernet cable, X-coded, 2.0 m,  
M12 plug straight - M12 jack straight, PUR**

P/N  
142M2X12020  
EAN 4250184198345  
2025/09/17  
Version: AY

**Technical Data**

General Data	
Fields of application	Industrial Ethernet harsh environment
Design	Ethernet-Connection line
Shielding	shielded
Transmission technology	Copper
Cable Type	S/FTP
Number of twisting elements	4
Twisting element	Pair
Wiring	1 - 1
Color coding fiber/ wire(s)	white/orange, orange, white/green, green, white/brown, brown, white/blue, blue
Color	green
Dimensions	
Dimension - Interface 1 (L x W x H)	48.5 mm x 21.5 mm x 21.5 mm
Dimension - Interface 1 (L x W x H)	1.909 in. x 0.846 in. x 0.846 in.
Dimension - Interface 2 (L x W x H)	50.5 mm x 15 mm x 15 mm
Dimension - Interface 2 (L x W x H)	1.988 in. x 0.591 in. x 0.591 in.
Cable length (m)	2 m
Cable length (ft)	6.56 ft
Labeling option	identification label carrier

**Transmission characteristics**

Category (ISO)	6 <sub>A</sub>
----------------	----------------

**Connections/interfaces**

Connector technology interface 1	M12-plug
Connector technology interface 2	M12-jack
Coding interface 1	X-coded
Coding interface 2	X-coded
Number of positions/contacts interface 1	8
Number of positions/contacts interface 2	8

Data sheet

**M12 Industrial Ethernet cable, X-coded, 2.0 m,  
M12 plug straight - M12 jack straight, PUR**

P/N  
142M2X12020  
EAN 4250184198345  
2025/09/17  
Version: AY

**Technical Data**

**Connections/interfaces**

Termination data, stranded wire (min. - max.)

Conductor cross section, stranded wire	AWG 26/7
Conductor diameter, stranded wire (bare copper)	0.48 mm
Conductor diameter, stranded wire (bare copper)	0.019 in.
Cable sheath diameter (min. - max.)	
Cable sheath diameter	6.4 mm
Cable sheath diameter	0.236 in.

**Electrical characteristics**

Current carrying capacity	0.5 A at 40 °C
Rated voltage	60 V DC
Insulation resistance	min. 100 MOhm

**Mechanical data**

Bending radius without load	min. 64 mm
Maximum operating bending radius	64 mm
Maximum operating bending radius	2.52 in.
Maximum installation load	32 mm
Maximum installation load	1.26 in.
Shielding braid coverage	70 %

**Materials and material properties**

Material - Conductor	Cu (copper)
Material - Conductor Insulation	Polyethylene
Material - Cable jacket	PUR
Material - Body interface 1	Plastics
Material - Body interface 2	Plastics
Material - Contact interface 1	CuZnPb (brass)
Material - Contact interface 2	CuZnPb (brass)
Material - Contact finish interface 1	Au (gold)
Material - Contact finish interface 2	Au (gold)
Material - Contact carriers interface 1	Plastics
Material - Contact carriers interface 2	Plastics
Material - Union nut interface 1	CuZnPb (brass)

Data sheet

**M12 Industrial Ethernet cable, X-coded, 2.0 m,  
M12 plug straight - M12 jack straight, PUR**

P/N  
142M2X12020  
EAN 4250184198345  
2025/09/17  
Version: AY

**Technical Data**

**Materials and material properties**

Material - Union nut interface 2	CuZnPb (brass)
Material - Union nut finish interface 1	Ni (nickel)
Material - Union nut finish interface 2	Ni (nickel)
Material - Pair shield	plastic film
Material - Pair shield finish	Al (Aluminium)
Material - Main shield	Cu (copper) braid
Material - Main shield finish	Sn
Flame retardancy	yes
Halogen free	yes
Oil resistance	yes
UV-resistance	yes
RoHS	compliant

**Environmental conditions**

Temperature (min. - max.)	
Temperature - Operating °C	-40 °C - 80 °C
Temperature - Operating °F	-40 °F - 176 °F
Particulate ingress interface 1	IP6X when plugged in
Liquid ingress/immersion interface 1	IPX5, IPX7 when plugged in
Particulate ingress interface 2	IP6X when plugged in
Liquid ingress/immersion interface 2	IPX5, IPX7 when plugged in
Pollution degree interface 1	2
Pollution degree interface 2	2

**Approvals**

UL listed (file no.)



DUXR.E178484

**M12 Industrial Ethernet cable, X-coded, 2.0 m,  
M12 plug straight - M12 jack straight, PUR**

P/N  
142M2X12020

EAN 4250184198345

2025/09/17

Version: AY

**Technical Data**

**Standards/Regulations**

Generic cabling systems

General requirements ISO/IEC 11801-1 | DIN EN 50173-1

Profinet yes

Connectors for electronic equipment

Free and fixed connectors IEC 60603-7-51

circular connector DIN EN 61076-2-109

Multi-element metallic cables used in analogue and digital communication and control DIN EN 50288-4-2

Test for vertical flame propagation for a single insulated wire or cable IEC 60332-1-2

Measurement of smoke density of cables burning IEC 61034

Determination of the halogen acid gas content IEC 60754-1

Insulating and sheathing materials of cables and insulated wire - General test methods DIN EN 60811-2-1

Copper and copper alloys - Drawn round copper wire for the production of electrical conductors DIN EN 13602 Cu-ETP-A... | DIN EN 13602 Cu-ETP-A...-B

**Classifications**

ETIM 7.0 EC002599

ETIM 8.0 EC002599

ETIM 9.0 EC002599

ETIM 10.0 EC002599

**Packing details**

Type of packaging 1 pc(s) / plastic bag

**Application note**

This product is a standard product of METZ CONNECT. METZ CONNECT is not aware of the specific intended use of the goods by the Customer or any customers of the Customer. The Customer guarantees that it has fully and sufficiently tested the use of the goods and any product modifications, product changes or product enhancements with regard to the specific intended use in accordance with the state of the art or in any other way. At METZ CONNECT's request, the Customer shall submit and make available meaningful evidence (e.g. test and laboratory protocols, certifications, etc.).

Data sheet

Page 6/7

**M12 Industrial Ethernet cable, X-coded, 2.0 m,  
M12 plug straight - M12 jack straight, PUR**

P/N  
142M2X12020

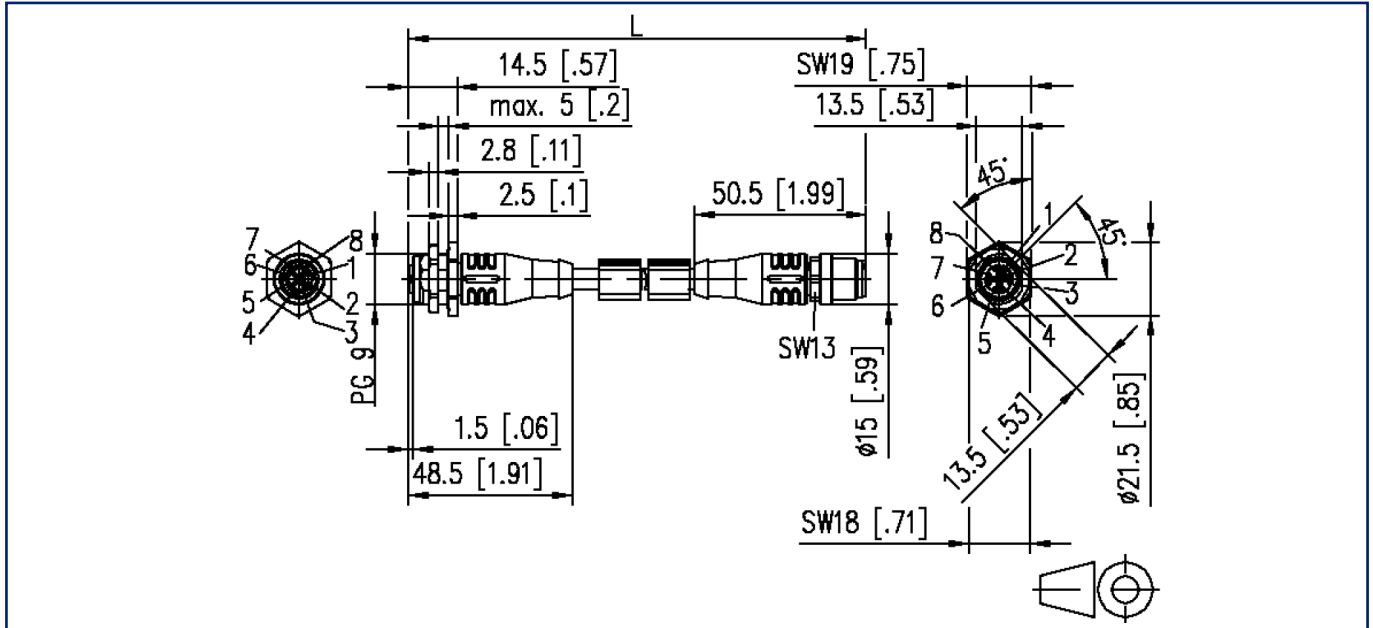
EAN 4250184198345

2025/09/17

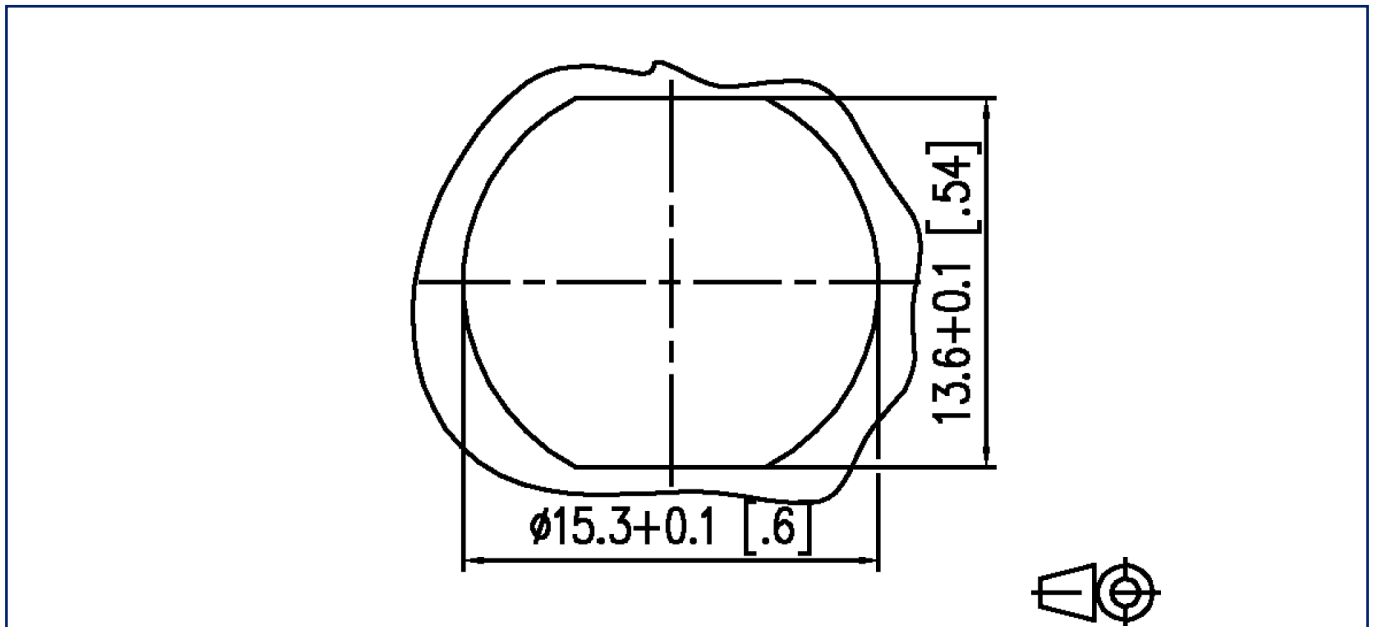
Version: AY

### Illustrations

Dimensional drawing



Cut-out



© 2025 METZ CONNECT - Technische Änderungen vorbehalten! Subject to modifications! Sous réserve de modifications techniques!



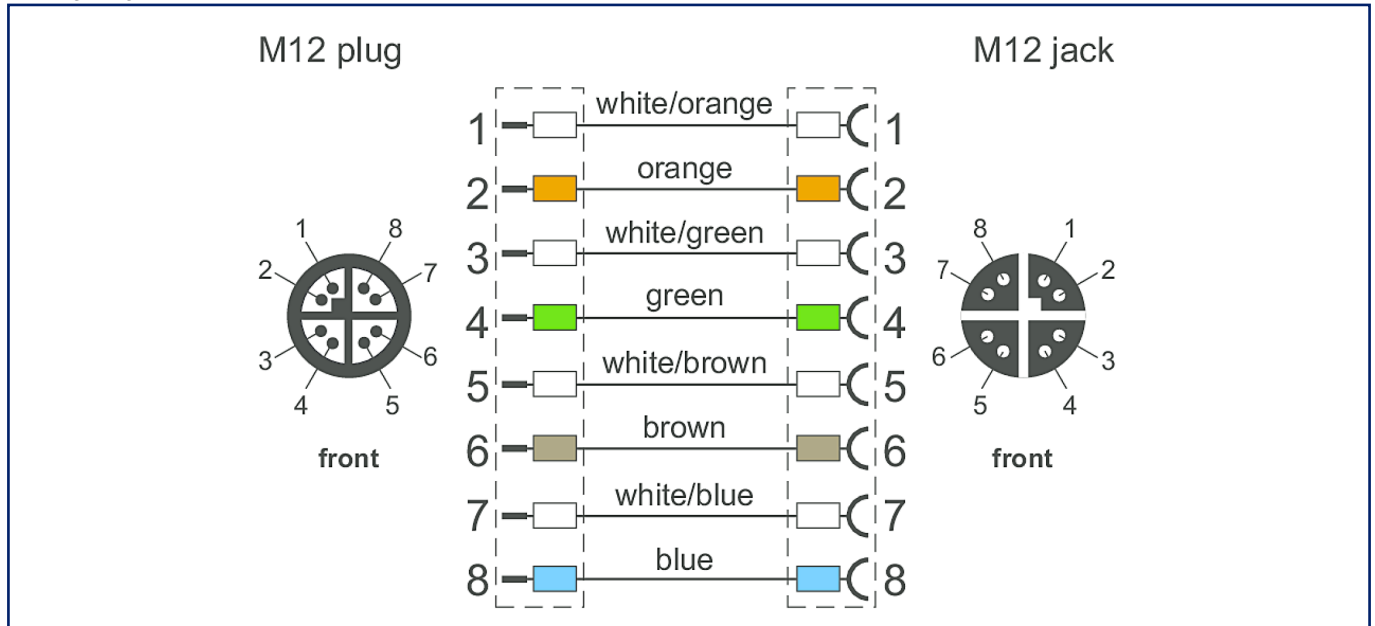
Data sheet

**M12 Industrial Ethernet cable, X-coded, 2.0 m,  
M12 plug straight - M12 jack straight, PUR**

P/N  
142M2X12020  
EAN 4250184198345  
2025/09/17  
Version: AY

**Illustrations**

Wiring diagram



Principle diagram

