

# Data sheet

## M12 Industrial Ethernet cable, X-coded, 0.5 m, M12 jack straight - free line end, PUR

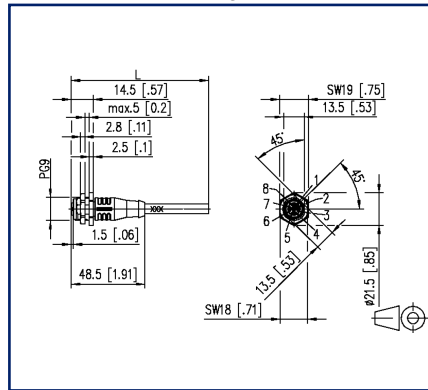
Page 1/7

P/N  
142M2X20005  
EAN 4250184199441  
2025/07/14  
Version: AX

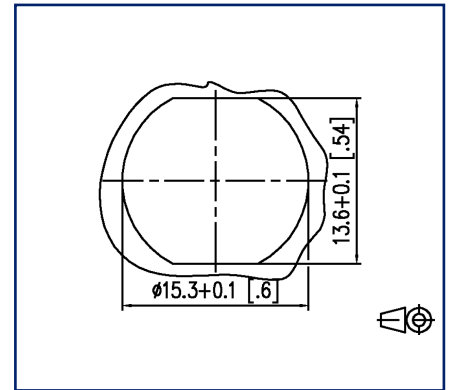
### Illustrations



Dimensional drawing



Cut-out



See enlarged drawings at the end of document

### Product specification

Shielded PUR cable for safe and industrial data transmission in automation and fieldbus technology. The cable meets the requirements of ULStyle 20963 and complies with Cat7 (electrical properties based on EN50288-4-2). Materials and design allow increased mechanical stress (abrasion, bending, vibration, etc.) of the cable. Special properties: UL style 20963, seawater resistant, recyclable, LABS free, RoHs compliant, acid and alkali resistant, UV resistant, hydrolysis resistant, halogen free, oil resistant, high flexibility, no corrosive gases, microbe resistant, no fire propagation.

- Standard variants: 1.0 m, 2.0 m, 5.0 m, 10.0 m.
- Other cable lengths on request.

Data sheet

**M12 Industrial Ethernet cable, X-coded, 0.5 m,  
M12 jack straight - free line end, PUR**

P/N  
142M2X20005  
EAN 4250184199441  
2025/07/14  
Version: AX

**Technical Data**

**General Data**

Fields of application	Industrial Ethernet harsh environment
Design	Ethernet-Connection cable
Shielding	shielded
Transmission technology	Copper
Cable Type	S/FTP
Number of twisting elements	4
Twisting element	Pair
Color coding fiber/ wire(s)	white/orange, orange, white/green, green, white/brown, brown, white/blue, blue
Color	green
Dimensions	
Dimension - Interface 1 (L x W x H)	48.5 mm x 21.5 mm x 21.5 mm
Dimension - Interface 1 (L x W x H)	1.909 in. x 0.846 in. x 0.846 in.
Cable length (m)	0.5 m
Cable length (ft)	1.64 ft
Labeling option	identification label carrier

**Transmission characteristics**

Category (ISO)	6 <sub>A</sub>
----------------	----------------

**Connections/interfaces**

Connector technology interface 1	M12-jack
Connector technology interface 2	free line end
Coding interface 1	X-coded
Coding interface 2	X-coded
Number of positions/contacts interface 1	8
Number of positions/contacts interface 2	8
Termination data, stranded wire (min. - max.)	
Conductor cross section, stranded wire	AWG 26/7
Conductor diameter, stranded wire (bare copper)	0.48 mm
Conductor diameter, stranded wire (bare copper)	0.019 in.

Data sheet

**M12 Industrial Ethernet cable, X-coded, 0.5 m,  
M12 jack straight - free line end, PUR**

P/N  
142M2X20005  
EAN 4250184199441  
2025/07/14  
Version: AX

**Technical Data**

**Connections/interfaces**

Cable sheath diameter (min. - max.)

Cable sheath diameter	6.4 mm
Cable sheath diameter	0.236 in.

**Electrical characteristics**

Current carrying capacity	0.5 A at 40 °C
Rated voltage	60 V DC
Insulation resistance	min. 100 MOhm

**Mechanical data**

Bending radius without load	min. 64 mm
Maximum operating bending radius	64 mm
Maximum operating bending radius	2.52 in.
Maximum installation load	32 mm
Maximum installation load	1.26 in.
Shielding braid coverage	70 %

**Materials and material properties**

Material - Conductor	Cu (copper)
Material - Conductor Insulation	Polyethylene
Material - Cable jacket	PUR
Material - Body interface 1	Plastics
Material - Contact interface 1	CuZnPb (brass)
Material - Contact finish interface 1	Au (gold)
Material - Contact carriers interface 1	Plastics
Material - Union nut interface 1	CuZnPb (brass)
Material - Union nut finish interface 1	Ni (nickel)
Material - Pair shield	plastic film
Material - Pair shield finish	Al (Aluminium)
Material - Main shield	Cu (copper) braid
Material - Main shield finish	Sn
Flame retardancy	yes
Halogen free	yes
Oil resistance	yes

**M12 Industrial Ethernet cable, X-coded, 0.5 m,  
M12 jack straight - free line end, PUR**

P/N  
142M2X20005  
EAN 4250184199441  
2025/07/14  
Version: AX

**Technical Data**

**Materials and material properties**

UV-resistance	yes
RoHS	compliant

**Environmental conditions**

Temperature (min. - max.)	
Temperature - Operating °C	-40 °C - 80 °C
Temperature - Operating °F	-40 °F - 176 °F
Particulate ingress interface 1	IP6X when plugged in
Liquid ingress/immersion interface 1	IPX7 when plugged in
Pollution degree interface 1	3

**Approvals**

UL listed (file no.)	DUXR.E178484
----------------------	--------------

**Standards/Regulations**

Generic cabling systems	
General requirements	ISO/IEC 11801-1   DIN EN 50173-1
Profinet	yes
Connectors for electronic equipment	
Free and fixed connectors	IEC 60603-7-51
circular connector	DIN EN 61076-2-109
Multi-element metallic cables used in analogue and digital communication and control	DIN EN 50288-4-2
Test for vertical flame propagation for a single insulated wire or cable	IEC 60332-1-2
Measurement of smoke density of cables burning	IEC 61034
Determination of the halogen acid gas content	IEC 60754-1
Insulating and sheathing materials of cables and insulated wire - General test methods	DIN EN 60811-2-1
Copper and copper alloys - Drawn round copper wire for the production of electrical conductors	DIN EN 13602 Cu-ETP-A...   DIN EN 13602 Cu-ETP-A...-B

Data sheet

Page 5/7

**M12 Industrial Ethernet cable, X-coded, 0.5 m,  
M12 jack straight - free line end, PUR**

P/N

142M2X20005

EAN 4250184199441

2025/07/14

Version: AX

**Technical Data****Classifications**

ETIM 7.0	EC002599
ETIM 8.0	EC002599
ETIM 9.0	EC002599
ETIM 10.0	EC002599

**Packing details**

Type of packaging 1 pc(s) / plastic bag

**Application note**

This product is a standard product of METZ CONNECT. METZ CONNECT is not aware of the specific intended use of the goods by the Customer or any customers of the Customer. The Customer guarantees that it has fully and sufficiently tested the use of the goods and any product modifications, product changes or product enhancements with regard to the specific intended use in accordance with the state of the art or in any other way. At METZ CONNECT's request, the Customer shall submit and make available meaningful evidence (e.g. test and laboratory protocols, certifications, etc.).



Data sheet

Page 6/7

**M12 Industrial Ethernet cable, X-coded, 0.5 m,  
M12 jack straight - free line end, PUR**

P/N  
142M2X20005

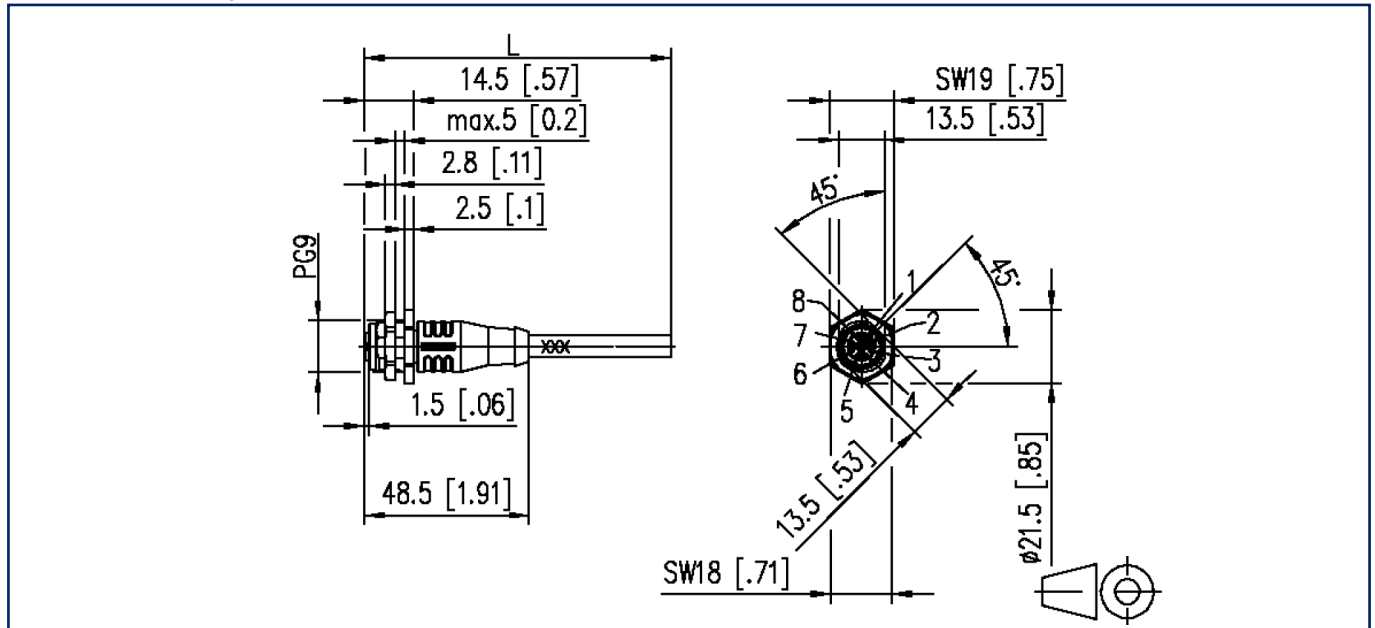
EAN 4250184199441

2025/07/14

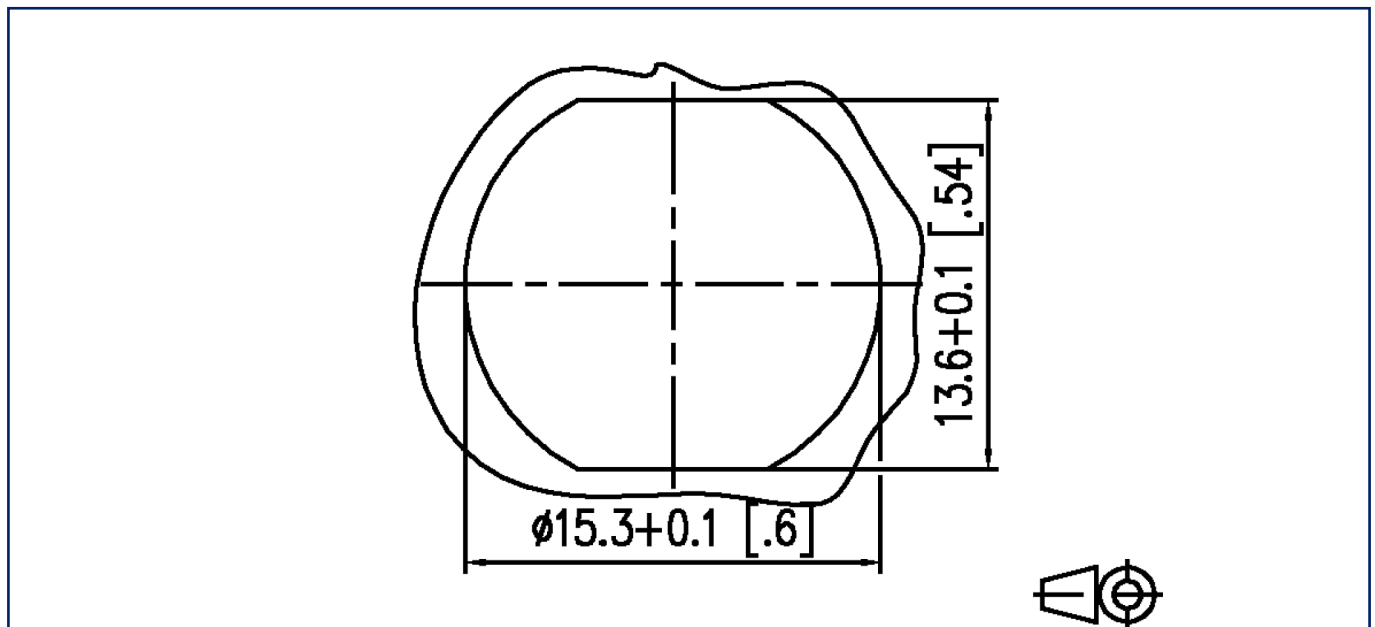
Version: AX

## Illustrations

Dimensional drawing



Cut-out



Data sheet

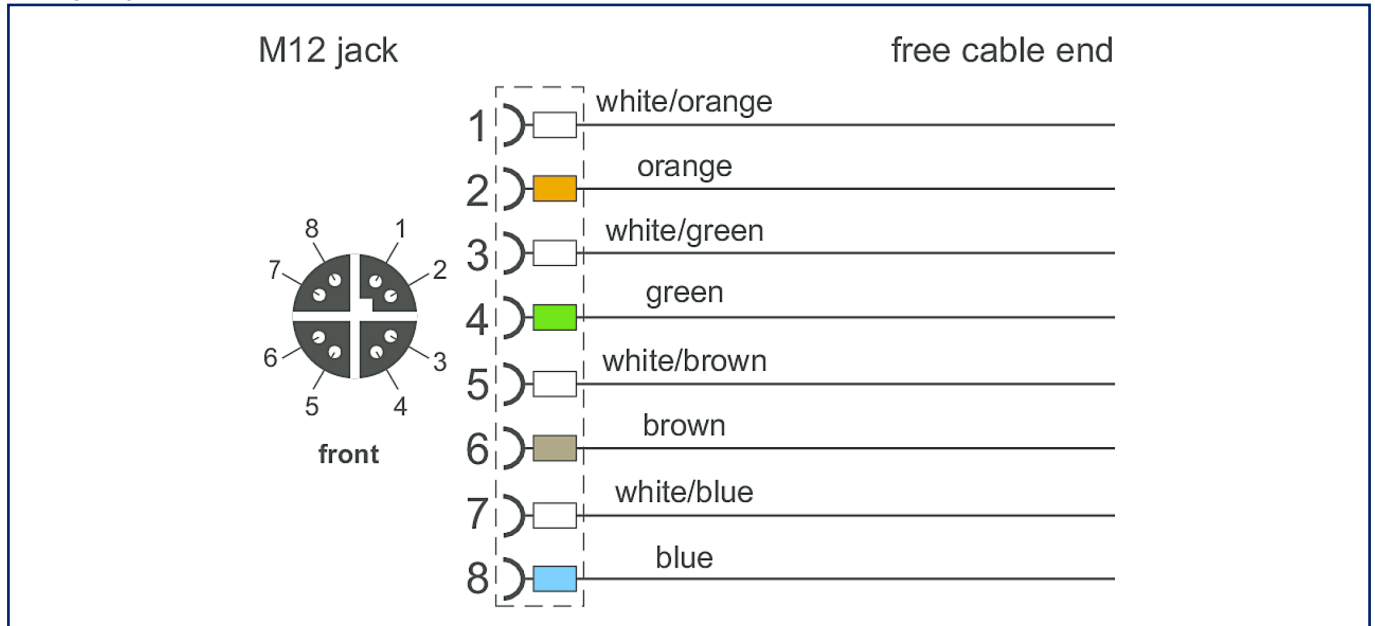
Page 7/7

**M12 Industrial Ethernet cable, X-coded, 0.5 m,  
M12 jack straight - free line end, PUR**

P/N  
142M2X20005  
EAN 4250184199441  
2025/07/14  
Version: AX

**Illustrations**

Wiring diagram



Principle diagram

