

Data sheet

OpDAT REGpro housing with splice tray and crimp splice holder

Page 1/5

P/N

15024A10S-E

EAN 4250184130383

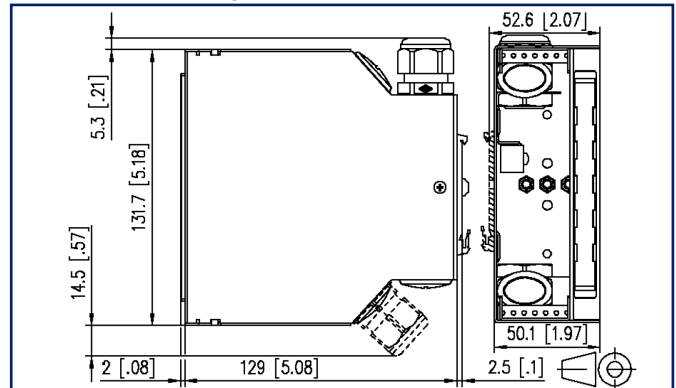
2024/09/19

Version: O

Illustrations



Dimensional drawing



See enlarged drawings at the end of document

Product specification

- splice distributor for TH35 rail without front cover
- gray housing
- with or without splice tray with crimp splice holder (CSH) for up to 12 splices
- installation of two shrink splice holders (SSH) on splice tray is possible
- with fiber reservoir
- custom-labeled identification strips
- fastening on top hat rail by means of very sturdy top hat rail holder
- various mounting versions on rail
- for different front plates 3RU/7HP
- cable feed from top or bottom, straight or inclined, with M20 cable gland (up to 2 possible)
- width: 50 mm, height: 128 mm, depth: 132.5 mm (from rail, without adapters)
- feed of pre-terminated cables is possible
- one cable gland M20 with strain relief included in the delivery
- housing cover fastening by means of just one screw
- variants: with and without splice tray
- Please note: not all front plates 3RU/7HP available on the market can be used for OpDAT REGpro. If pre-terminated cables are used, we recommend the version without splice tray.



P | Cabling

Data sheet

Page 2/5

OpDAT REGpro housing with splice tray and crimp splice holder

P/N

15024A10S-E

EAN 4250184130383

2024/09/19

Version: O

Technical Data

General Data

| | |
|---|-----------------------------------|
| Fields of application | harsh environment |
| Mechanical measurement according to MICE | M1 |
| Ingress measurement according to MICE | I1 |
| Climatic measurement according to MICE | C1 |
| Electromagnetic measurement according to MICE | E3 |
| Design | Splice distributor |
| Color | gray |
| Dimensions | |
| Dimension (L x W x H) | 131.5 mm x 131.7 mm x 52.6 mm |
| Dimension (L x W x H) | 5.177 in. x 5.185 in. x 2.071 in. |
| Labeling option | label strip / labeling strip |

Connections/interfaces

| | |
|---------------------|--|
| Cable access/outlet | from top or bottom, straight or inclined |
| Ground connection | grounding bolt with nut and lock washer |

Mechanical data

| | |
|---------------|----------|
| strain relief | PG gland |
|---------------|----------|

Materials and material properties

| | |
|---|----------------|
| Material - Housing | steel |
| Material - Strain relief | PA 6.6 UL94 V0 |
| Material - Standard rail mounting support | Al (Aluminium) |
| RoHS | compliant |

Classifications

| | |
|----------|----------|
| ETIM 7.0 | EC001130 |
| ETIM 8.0 | EC001130 |
| ETIM 9.0 | EC001130 |

Packing details

| | |
|-------------------|---------------|
| Type of packaging | 1 pc(s) / box |
|-------------------|---------------|



P | Cabling

Data sheet

Page 3/5

OpDAT REGpro housing with splice tray and crimp splice holder

P/N

15024A10S-E

EAN 4250184130383

2024/09/19

Version: O

Technical Data

Application note

This product is a standard product of METZ CONNECT. METZ CONNECT is not aware of the specific intended use of the goods by the Customer or any customers of the Customer. The Customer guarantees that it has fully and sufficiently tested the use of the goods and any product modifications, product changes or product enhancements with regard to the specific intended use in accordance with the state of the art or in any other way. At METZ CONNECT's request, the Customer shall submit and make available meaningful evidence (e.g. test and laboratory protocols, certifications, etc.).



OpDAT REGpro housing with splice tray and crimp splice holder

P/N
15024A10S-E

EAN 4250184130383

2024/09/19

Version: O

Accessories

| P/N | Designation |
|--------------|--|
| 130B10E2E-E | Modul module frame 3RU, 7HP 6 port stainless steel unequipped |
| 130B20E2E-E | Keystone module frame 3RU, 7HP 6 port stainless steel unequipped |
| 150240M20Z-E | OpDAT strain relief M20 |
| 15024A0100-E | OpDAT REGpro front cover for 12xST |
| 15024A0112-E | OpDAT REGpro front cover 12xST SM+MM |
| 15024A0200-E | OpDAT REGpro front cover for 12xE2000/12xSC-S |
| 15024A3112-E | OpDAT REGpro front cover 12xST MM |
| 15024A5200-E | OpDAT REGpro front cover for 6xSC-D/6xLC-Q |
| 15024A5812-E | OpDAT REGpro front cover 12xE2000-S SM |
| 15024A5912-E | OpDAT REGpro front cover 12xE2000-S APC OS2 |
| 15024A5A00-E | OpDAT REGpro front cover for 6xE2000-D Snap-In |
| 15024A5A06-E | OpDAT REGpro front cover 6xE2000-D MM |
| 15024A5B06-E | OpDAT REGpro front cover 3RU, 7HP 6xE2000-D SM (ceramic) |
| 15024A5C06-E | OpDAT REGpro front cover 6xE2000-Duplex APC OS2 |
| 15024A7203-E | OpDAT REGpro front cover 3RU, 7HP 3xLC-Q OM2 (ceramic, beige) |
| 15024A7700-E | OpDAT REGpro front cover for 6xLC-D/SC-S/E2000 |
| 15024A7903-E | OpDAT REGpro front cover 3xLC-Q OM4 |
| 15024AC206-E | OpDAT REGpro front cover 6xSC-Duplex MM |
| 15024AD204-E | OpDAT REGpro front cover 3RU, 7HP 6xSC-D OS2 (ceramic, metal) |
| 15024AD206-E | OpDAT REGpro front cover 6xSC-Duplex OS2 |
| 15090301-I | OpDAT splice protection cover for 12 crimp splices |
| 15090302-I | OpDAT splice protection cover for 6 shrink splices |
| 899789-01 | Label sheet for E-DAT C6 and E-DAT design patch panels |

© 2024 METZ CONNECT - Technische Änderungen vorbehalten! Subject to modifications! Sous réserve de modifications techniques!

P | Cabling

Data sheet

OpDAT REGpro housing with splice tray and crimp splice holder

Page 5/5

P/N

15024A10S-E

EAN 4250184130383

2024/09/19

Version: O

Illustrations

Dimensional drawing

