

Data sheet

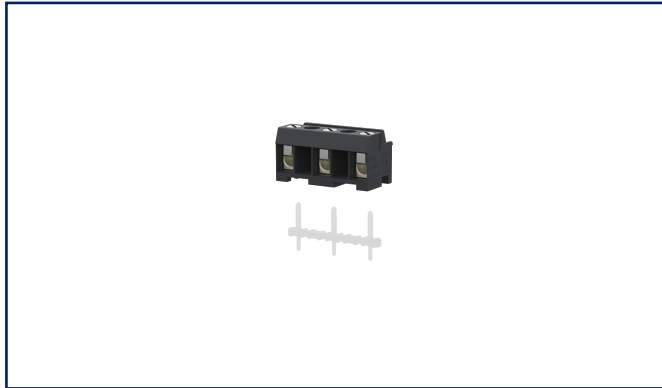
RP02903IBWC Type 007

Page 1/6

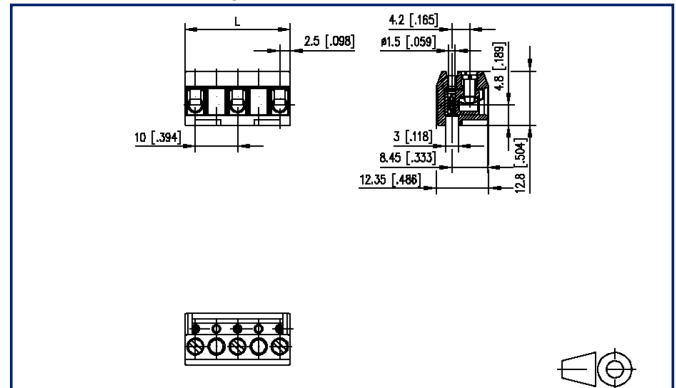
P/N
31007203

2025/06/30

Illustrations



Dimensional drawing as an example



See enlarged drawings at the end of document

Product specification

- screw type terminal block, pluggable
- centerline 10.00 mm, direction of connection 90°
- wire protector, fittable without loss of poles
- color black



Technical Data

General Data

Tightening torque SEV	0.5 Nm		
Tightening torque UL	4.4 lb-in		
pole size	3		
Insulating material class	CTI 600		
clearance/creepage dist.	7.3 mm		
Protection category	IP20		
Insul. strip length	6 mm		
Rated current	16 A		
Overvoltage category	III	III	II
Pollution degree	3	2	2
Rated voltage	500 V	1000 V	1000 V
Rated test voltage	6 kV	6 kV	6 kV

Terminal data

rat.wiring solid AWGmax	0.33 mm ² - 2.5 mm ² / AWG 22 - AWG 12		
rat.wiring strand.AWGmax	0.33 mm ² - 2.5 mm ² / AWG 22 - AWG 12		

Approvals

extended wiring UL	Wire range extended to No. 30 AWG for factory-wiring. Two same size wires No. 22-16 AWG Cu, Sol/Str for field-wiring; No. 30-16 AWG Cu Sol/Str factory-wiring.
--------------------	--



V / A / AWG

600 / 15 / 22 - 12

approval UL - File No.

E121004



630 V / 6 kV / 10 A

Material

insulating material	PA66
flammability class	V0
contact material	CuBe
Contact surface	Ni + Ag
terminal body thread	M3
terminal body material	CuZnPb
terminal body surface	Cu + Ni
screw thread	M3



Data sheet
RP02903IBWC Type 007

Page 3/6

P/N
31007203

2025/06/30

Technical Data

screw material	8,8
screw surface	Zn Cr(VI)-frei/free
wire protector material	CuSn
wire protector surface	Sn
Glow-Wire Flammability GWFI	960 °C acc. to IEC 60695-2-12
Glow-Wire Flammability GWIT	775 °C acc. to IEC 60695-2-13

Climatic Data

upper limit temperature	105 °C
lower limit temperature	-40 °C

general

Tolerance	ISO 2768 -mH
-----------	--------------

Application note

This product is a standard product of METZ CONNECT. METZ CONNECT is not aware of the specific intended use of the goods by the Customer or any customers of the Customer. The Customer guarantees that it has fully and sufficiently tested the use of the goods and any product modifications, product changes or product enhancements with regard to the specific intended use in accordance with the state of the art or in any other way. At METZ CONNECT's request, the Customer shall submit and make available meaningful evidence (e.g. test and laboratory protocols, certifications, etc.).



Data sheet
RP02903IBWC Type 007

Page 4/6

P/N
31007203

2025/06/30

Accessories

P/N	Designation
710084	Mounting flange right for type 07, 08
710085	Mounting flange left for type 07, 08
710121-2	Coding pin short for type 007
710122-2	Coding pin long for type 007
716846	Coding comb pastel blue



Data sheet
RP02903IBWC Type 007

Page 5/6

P/N
31007203

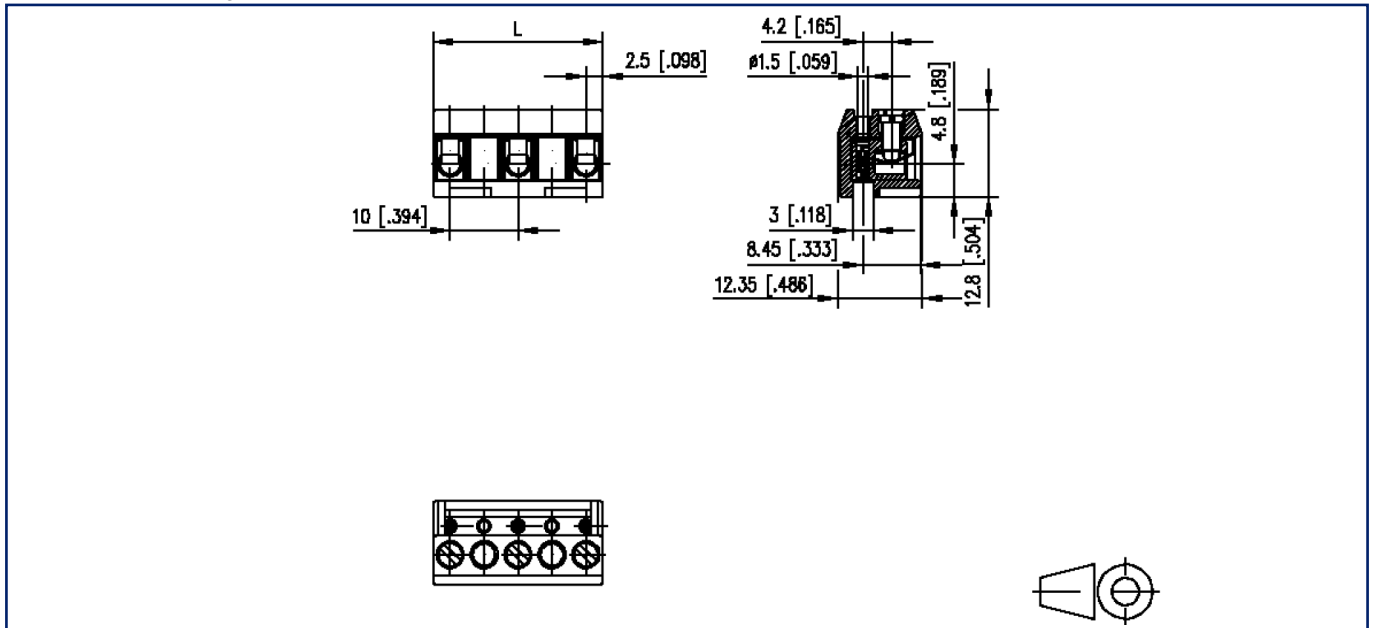
2025/06/30

Counterpart

P/N	Designation
310172	PR019xxVBHC Typ 017
310272	PR019xxVBVC Typ 027
310392	PT059xxHBHC Typ 039
310412	PT069xxVBEN Typ 041
310422	PT069xxVBVN Typ 042

Illustrations

Dimensional drawing as an example



$L = (\text{pole size} - 1) \times \text{centerline} + 5 \text{ mm}$ [0.197]