

# Data sheet

## RT059xxHBLC Type 011

Page 1/5

P/N  
310112xx

xx=number of poles

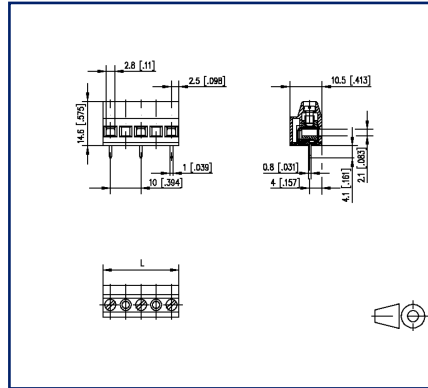
2025/08/21

Version: AC

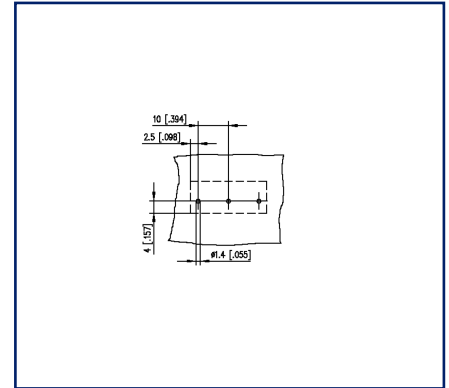
### Illustrations



Dimensional drawing as an example



Drill pattern as an example



See enlarged drawings at the end of document

### Product specification

- screw type terminal block, solderable
- centerline 10.00 mm, direction of connection 90°
- lift system, fittable without loss of poles
- color black



**Data sheet**  
**RT059xxHBLC Type 011**

**Technical Data**


**General Data**

Tightening torque SEV	0.5 Nm		
Tightening torque UL	4.4 lb-in		
Solder pin length	4.1 mm		
min. number of poles	2		
max. number of poles	8		
Insulating material class	CTI 600		
clearance/creepage dist.	8.9 mm		
Protection category	IP20		
Insul. strip length	7 mm		
Rated current	13 A		
Overvoltage category	III	III	II
Pollution degree	3	2	2
Rated voltage	500 V	1000 V	1000 V
Rated test voltage	6 kV	6 kV	6 kV

**Terminal data**

rat.wiring solid AWGmax	0.34 mm <sup>2</sup> - 2.5 mm <sup>2</sup> / AWG 28 - AWG 12		
rat.wiring strand.AWGmax	0.34 mm <sup>2</sup> - 2.5 mm <sup>2</sup> / AWG 28 - AWG 12		

**Approvals**

 V / A / AWG	600 / 15 / 22 - 12		
---	--------------------	--	--

approval UL - File No.	E121004		
------------------------	---------	--	--

	500 V / 17.5 A / T60		
---	----------------------	--	--

**Material**

insulating material	PA66		
flammability class	V0		
contact material	CuZnPb		
Contact surface	Ni + Sn		
terminal body thread	M3		
terminal body material	CuZnPb		
terminal body surface	Ni		
screw thread	M3		

**Data sheet**  
**RT059xxHBLC Type 011**

Page 3/5

P/N  
310112xx

xx=number of poles

2025/08/21

Version: AC

**Technical Data**

screw material	10,9
screw surface	Zn Cr(VI)-frei/free
Glow-Wire Flammability GWFI	960 °C acc. to IEC 60695-2-12
Glow-Wire Flammability GWIT	775 °C acc. to IEC 60695-2-13

**Climatic Data**

upper limit temperature	105 °C
lower limit temperature	-40 °C

**general**

Tolerance	ISO 2768 -mH
Solderability	Acc. to JEDEC JESD22-B102E 245°C/5s

**Application note**

This product is a standard product of METZ CONNECT. METZ CONNECT is not aware of the specific intended use of the goods by the Customer or any customers of the Customer. The Customer guarantees that it has fully and sufficiently tested the use of the goods and any product modifications, product changes or product enhancements with regard to the specific intended use in accordance with the state of the art or in any other way. At METZ CONNECT's request, the Customer shall submit and make available meaningful evidence (e.g. test and laboratory protocols, certifications, etc.).



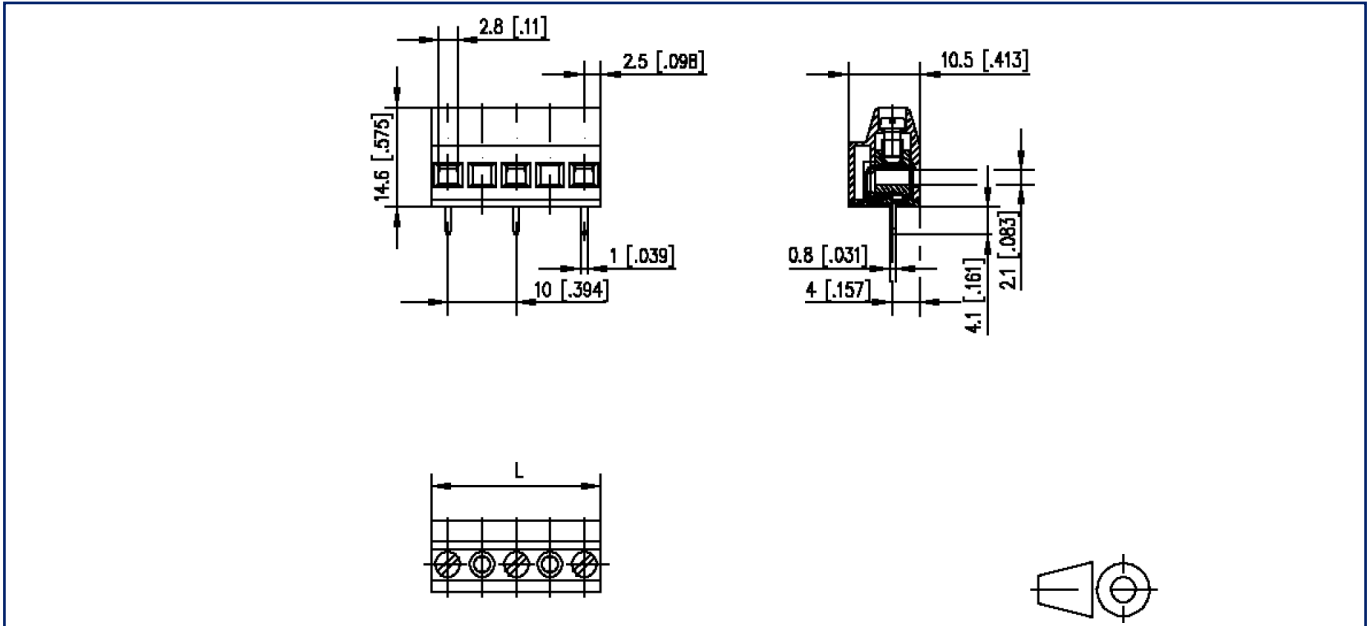
Data sheet  
**RT059xxHBLC Type 011**

Page 4/5

P/N  
**310112xx**  
 xx=number of poles  
 2025/08/21  
 Version: AC

**Illustrations**

Dimensional drawing as an example



$L = (\text{pole size} - 1) \times \text{centerline} + 5 \text{ mm} [0.197]$

Data sheet  
**RT059xxHBLC Type 011**

Page 5/5

P/N  
**310112xx**  
xx=number of poles  
2025/08/21  
Version: AC

**Illustrations**

Drill pattern as an example

