

Data sheet

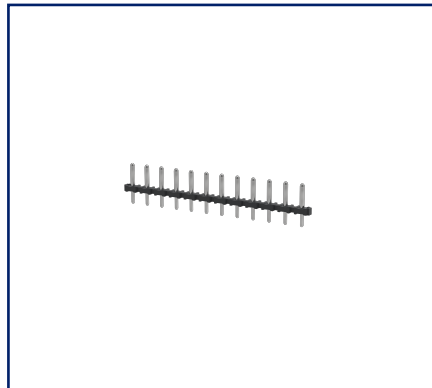
PR01512VBHC Type 017

Page 1/6

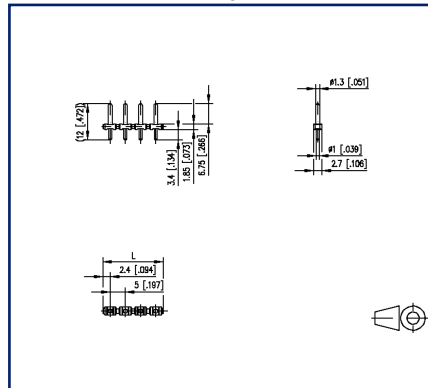
P/N
31017112

2026/03/17
Version: A

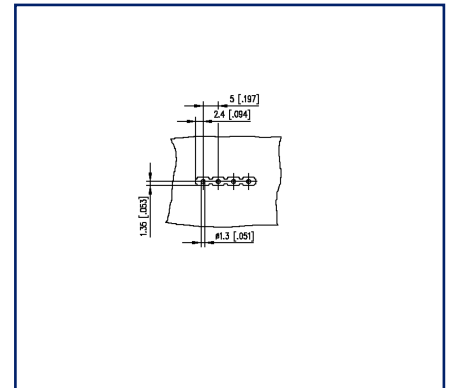
Illustrations



Dimensional drawing as an example



Drill pattern as an example



See enlarged drawings at the end of document

Product specification

- pin header, THR solderable
- centerline 5.00 mm, direction of connection vertical 0°
- fittable without loss of poles
- color black
- Tape & Reel packaging possible



Data sheet
PR01512VBHC Type 017

Page 2/6

P/N
31017112



2026/03/17
Version: A

Technical Data

General Data

Solder pin length	3.4 mm		
pole size	12		
Insulating material class	CTI 400		
clearance/creepage dist.	3.7 mm		
Protection category	IP00		
Rated current	10 A		
Overvoltage category	III	III	II
Pollution degree	3	2	2
Rated voltage	250 V	500 V	500 V
Rated test voltage	4 kV	4 kV	4 kV

Approvals

 V / A	300 / 15
approval UL - File No.	E121004
	250 V / 4 kV / 10 A / 1.0 mm

Material

insulating material	PA
flammability class	V0
contact pin material	CuZnPb
contact pin surface	Ni + Ag
Glow-Wire Flammability GWFI	960 °C acc. to IEC 60695-2-12
Glow-Wire Flammability GWIT	775 °C acc. to IEC 60695-2-13

Climatic Data

upper limit temperature	105 °C
lower limit temperature	-40 °C

general

Tolerance	ISO 2768 -mH
Solderability	reflowable

Application note

Data sheet
PR01512VBHC Type 017

Page 3/6

P/N
31017112

2026/03/17
Version: A

Technical Data

This product is a standard product of METZ CONNECT. METZ CONNECT is not aware of the specific intended use of the goods by the Customer or any customers of the Customer. The Customer guarantees that it has fully and sufficiently tested the use of the goods and any product modifications, product changes or product enhancements with regard to the specific intended use in accordance with the state of the art or in any other way. At METZ CONNECT's request, the Customer shall submit and make available meaningful evidence (e.g. test and laboratory protocols, certifications, etc.).



Data sheet
PR01512VBHC Type 017

Page 4/6

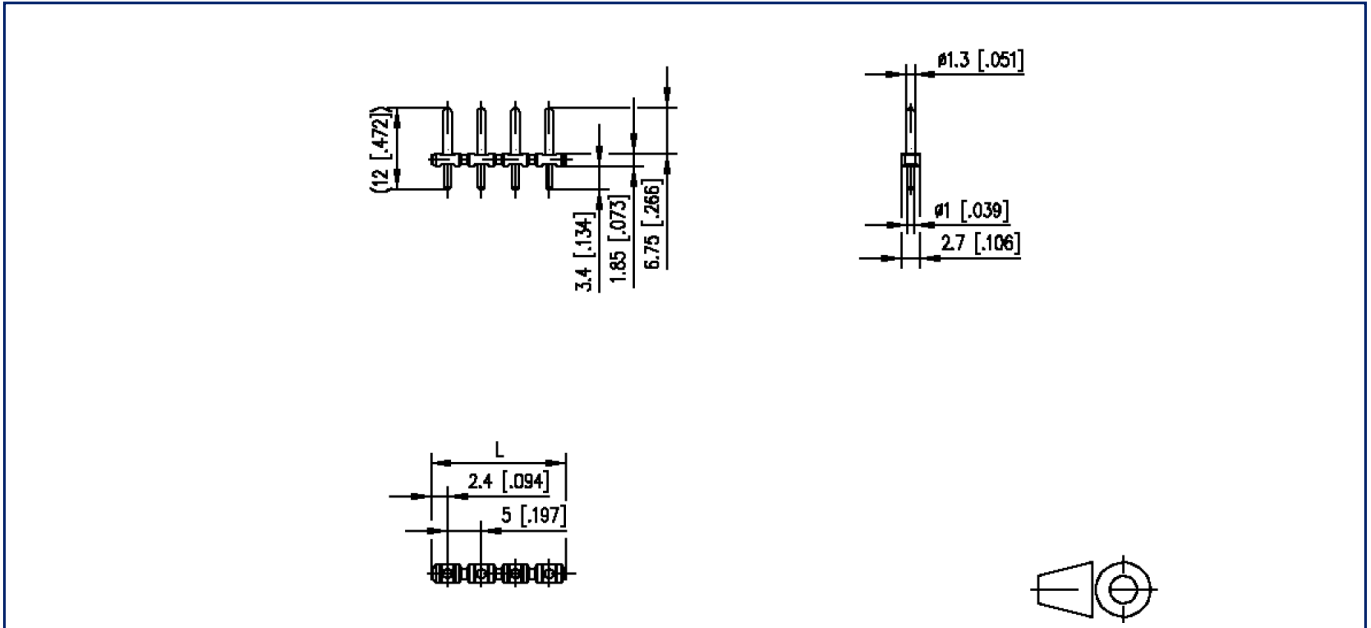
P/N
310171122026/03/17
Version: A**Counterpart of**

P/N	Designation
31007112	RP02512BWC Typ 007
31107112	RP02512HBWC Type 107



Illustrations

Dimensional drawing as an example



$L = (\text{pole size} - 1) \times \text{centerline} + 4.8 \text{ mm} [0.189]$

Illustrations

Drill pattern as an example

