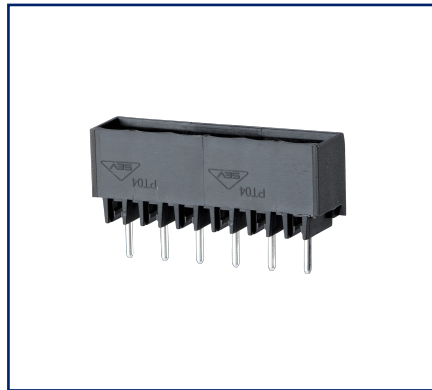


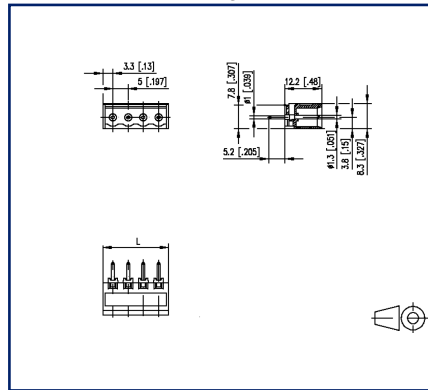
Data sheet

PT045xxVBBN Type 020

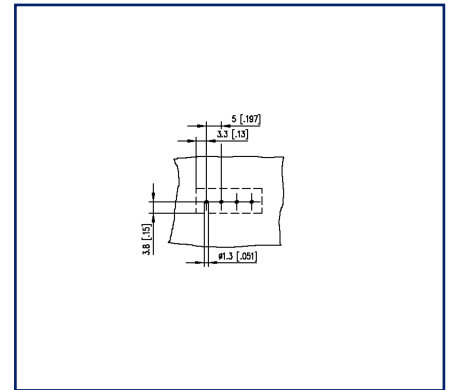
Illustrations



Dimensional drawing as an example



Drill pattern as an example



See enlarged drawings at the end of document

Product specification



- pin header, solderable
- centerline 5.00 mm, direction of connection vertical 0°
- closed ends
- color black

Technical Data

General Data

Solder pin length	5.2 mm		
min. number of poles	2		
max. number of poles	22		
Insulating material class	CTI 600		
clearance/creepage dist.	3.7 mm		
Protection category	IP00		
Rated current	10 A		
Overvoltage category	III	III	II
Pollution degree	3	2	2
Rated voltage	250 V	630 V	630 V
Rated test voltage	4 kV	4 kV	4 kV

Approvals

 V / A	300 / 15
approval UL - File No.	E121004
	250 V / 4 kV / 10 A / 1.0 mm

Material

insulating material	PA66
flammability class	V0
contact pin material	CuZnPb
contact pin surface	Ni + Ag
Glow-Wire Flammability GWFI	960 °C acc. to IEC 60695-2-12
Glow-Wire Flammability GWIT	775 °C acc. to IEC 60695-2-13

Climatic Data

upper limit temperature	105 °C
lower limit temperature	-40 °C

general

Tolerance	ISO 2768 -mH
Solderability	Acc. to JEDEC JESD22-B102E 245°C/5s

Application note

U | Contact

Data sheet

PT045xxVBBN Type 020

Page 3/6

P/N

310201xx

xx=number of poles

2025/04/29

Version: X

Technical Data

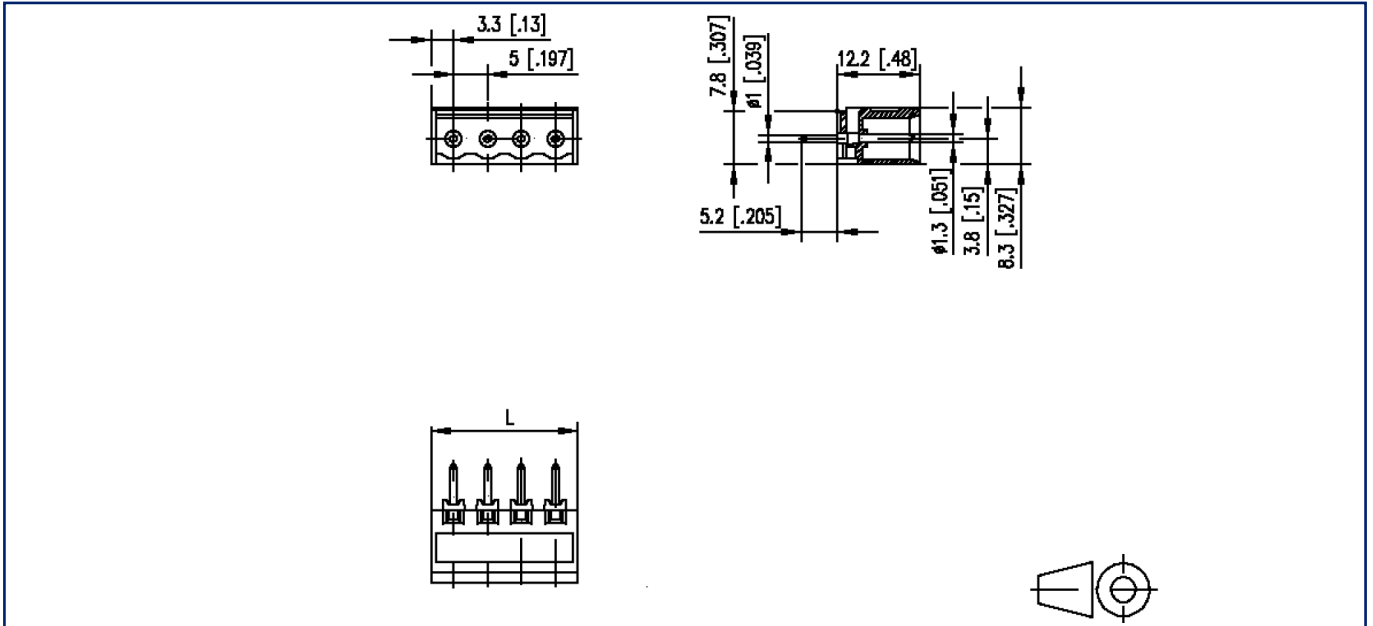
This product is a standard product of METZ CONNECT. METZ CONNECT is not aware of the specific intended use of the goods by the Customer or any customers of the Customer. The Customer guarantees that it has fully and sufficiently tested the use of the goods and any product modifications, product changes or product enhancements with regard to the specific intended use in accordance with the state of the art or in any other way. At METZ CONNECT's request, the Customer shall submit and make available meaningful evidence (e.g. test and laboratory protocols, certifications, etc.).

Counterpart of

P/N	Designation
310091	RP015xxWBWC Type 009
310101	RP015xxWBNC Typ 010
310131	RP035xxIBLN Type 013
310261	FT085xxVBFC Type 026
310491	RP015xxWBLC Type 049
313481	RP085xxVBLC Type 348
31348103	RP08503VBLC Type 348
31348104	RP08504VBLC Type 348
31348105	RP08505VBLC Type 348
31348106	RP08506VBLC Type 348
SP995XXVBNC	SP995xxVBNC

Illustrations

Dimensional drawing as an example



$L = (\text{pole size} - 1) \times \text{centerline} + 6.6 \text{ mm} [0.26]$

Illustrations

Drill pattern as an example

