

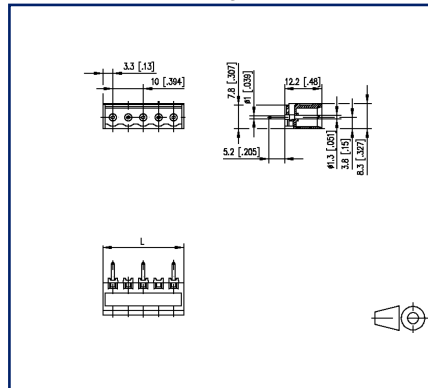
Data sheet

PT049xxVBBN Type 020

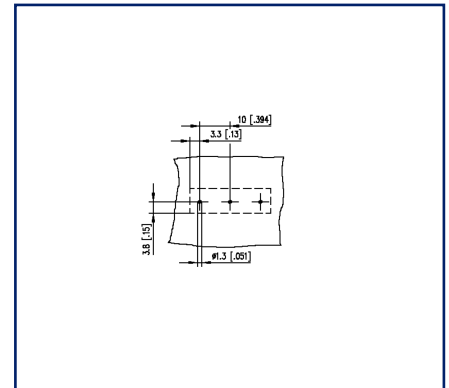
Illustrations



Dimensional drawing



Drill pattern



See enlarged drawings at the end of document

Product specification

- pin header, solderable
- centerline 10.00 mm, direction of connection vertical 0°
- closed ends
- color black




Technical Data

General Data

Solder pin length	5.2 mm		
min. number of poles	2		
max. number of poles	11		
Insulating material class	CTI 600		
clearance/creepage dist.	8.7 mm		
Protection category	IP00		
Rated current	10 A		
Overvoltage category	III	III	II
Pollution degree	3	2	2
Rated voltage	630 V	1000 V	1000 V
Rated test voltage	8 kV	8 kV	8 kV

Approvals

 V / A	600 / 15
approval UL - File No.	E121004
1.5 mm ²	

Material

insulating material	PA66
flammability class	V0
contact pin material	CuZnPb
contact pin surface	Ni + Ag
Glow-Wire Flammability GWFI	960 °C acc. to IEC 60695-2-12
Glow-Wire Flammability GWIT	775 °C acc. to IEC 60695-2-13

Climatic Data

upper limit temperature	105 °C
lower limit temperature	-40 °C

general

Tolerance	ISO 2768 -mH
Solderability	Acc. to JEDEC JESD22-B102E 245°C/5s

U | Contact

Data sheet

PT049xxVBBN Type 020

Page 3/5

P/N

310202xx

xx=number of poles

2023/06/26

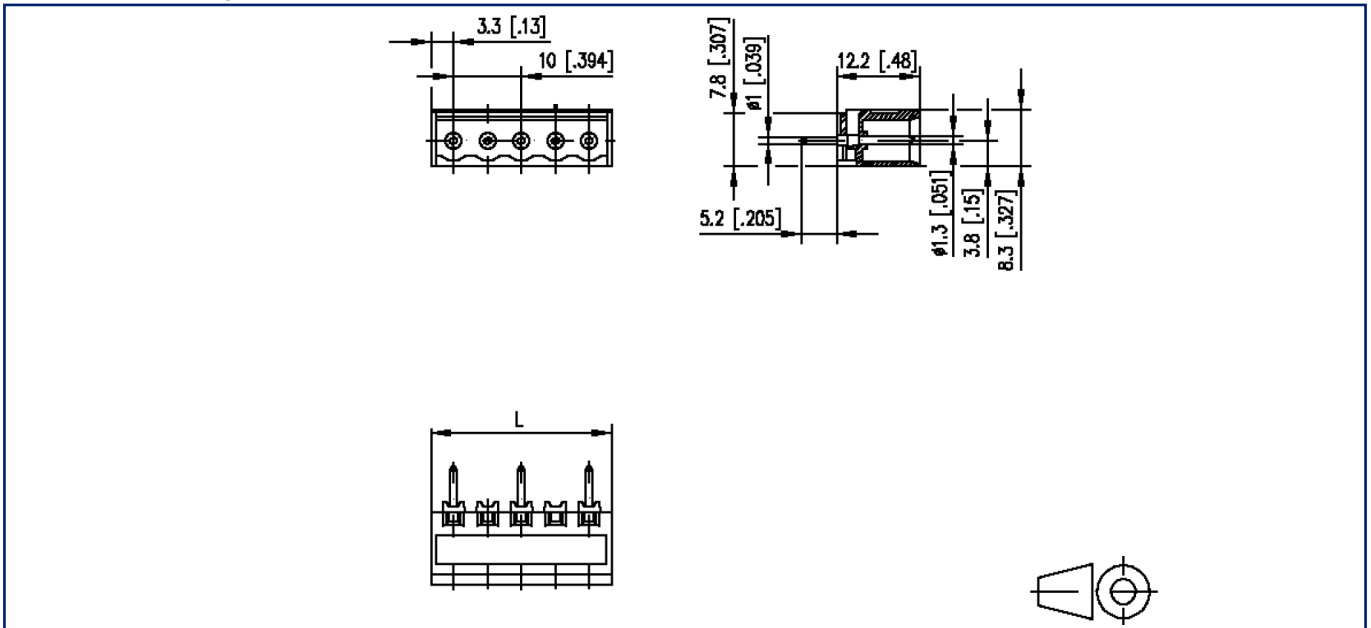
Version: S

Counterpart of

P/N	Designation
310092	RP019xxWBWC Typ 009
310132	RP039xxIBLN Typ 013
310262	FT089xxVBFC
310492	RP019xxWBLC Type 049

Illustrations

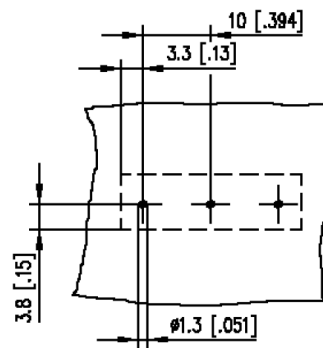
Dimensional drawing



$L = (\text{pole size} - 1) \times \text{centerline} + 6.6 \text{ mm} [0.26]$

Illustrations

Drill pattern



© 2023 METZ CONNECT - Technische Änderungen vorbehalten! Subject to modifications! Sous réserve de modifications techniques!

